



Sensors > Position Sensors > Potentiometer Sensors > Cable Actuated Position Sensors > String Pots - SG1



Cable Actuated Position Sensor Product Type: **SG Series String Pots**

Full Stroke Ranges: 2032 mm [80 in]

Output Signal: **Voltage Divider (Potentiometric)**

Cable Actuated Position Sensor Accuracy: **.35 % of FS**

Repeatability: **.02 % of FS**

[All String Pots - SG1 \(5\)](#)

Features

Product Type Features

Cable Actuated Position Sensor Product Type	SG Series String Pots
---	-----------------------

Signal Characteristics

Output Signal	Voltage Divider (Potentiometric)
---------------	----------------------------------

Body Features

Cable Actuated Position Sensor Housing Material	Polycarbonate + Stainless Mounting Bracket
---	--

Usage Conditions

Operating Temperature Range	-40 – 71 °C[-40 – 160 °F]
-----------------------------	---------------------------

Operation/Application

Resolution	Continuous Analog mm
------------	----------------------

Industry Standards

IP Rating	IP50
Hazardous Area Approval	No

Other

Full Stroke Ranges	2032 mm[80 in]
Cable Actuated Position Sensor Accuracy	.35 % of FS



Repeatability	.02 % of FS
Encoder Drive	No
Measuring Cable	Nylon-Coated Stainless Steel

Product Compliance

[For compliance documentation, visit the product page on TE.com>](#)

EU RoHS Directive 2011/65/EU	Compliant with Exemptions
EU ELV Directive 2000/53/EC	Compliant
China RoHS 2 Directive MIIT Order No 32, 2016	Restricted Materials Above Threshold
EU REACH Regulation (EC) No. 1907/2006	<p>Current ECHA Candidate List: JUNE 2023 (235)</p> <p>Candidate List Declared Against: JUL 2021 (219)</p> <p>SVHC > Threshold: Pb (3% in Component)</p> <p>Article Safe Usage Statements: Do not eat, drink or smoke when using this product. Wash thoroughly after handling. Recycle if possible and dispose of the article by following all applicable governmental regulations relevant to your geographic location.</p>

Halogen Content	Not Yet Reviewed for halogen content
Solder Process Capability	Not reviewed for solder process capability

Product Compliance Disclaimer

This information is provided based on reasonable inquiry of our suppliers and represents our current actual knowledge based on the information they provided. This information is subject to change. The part numbers that TE has identified as EU RoHS compliant have a maximum concentration of 0.1% by weight in homogenous materials for lead, hexavalent chromium, mercury, PBB, PBDE, DBP, BBP, DEHP, DIBP, and 0.01% for cadmium, or qualify for an exemption to these limits as defined in the Annexes of Directive 2011/65/EU (RoHS2). Finished electrical and electronic equipment products will be CE marked as required by Directive 2011/65/EU. Components may not be CE marked. Additionally, the part numbers that TE has identified as EU ELV compliant have a maximum concentration of 0.1% by weight in homogenous materials for lead, hexavalent chromium, and mercury, and 0.01% for cadmium, or qualify for an exemption to these limits as defined in the Annexes of Directive 2000/53/EC (ELV). Regarding the REACH Regulation, the information TE provides on SVHC in articles for this part number is based on the latest European Chemicals Agency (ECHA) 'Guidance on requirements for substances in articles' posted at this URL: <https://echa.europa.eu/guidance-documents/guidance-on-reach>

Compatible Parts

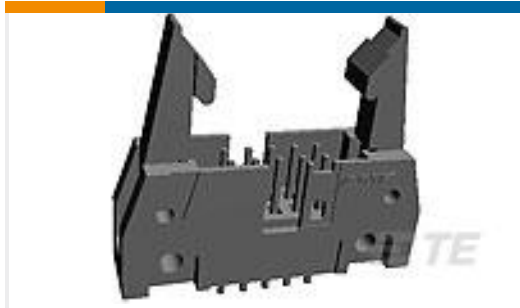


Also in the Series | MEAS SG

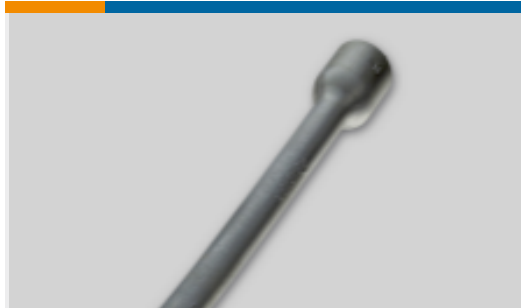


Cable Actuated Position Sensors(13)

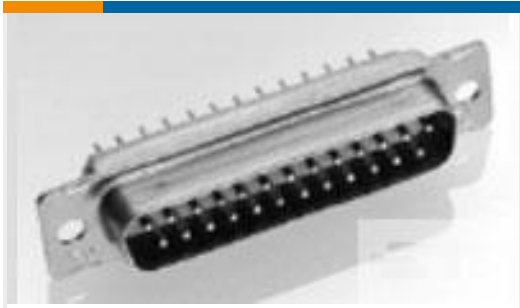
Customers Also Bought



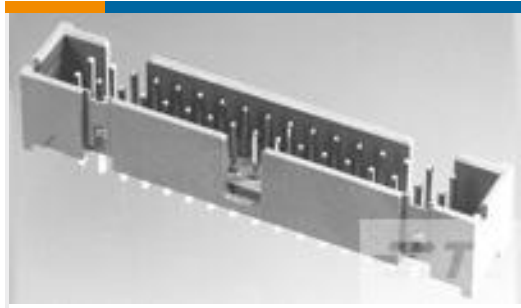
TE Part #5102321-3
A/L UNIV HDR 16P VERT LG LAT



TE Part #814522-000
Low Profile Heat Shrink Boots: Poly Molded, Lipped, Straight



TE Part #1757819-9
AMPLIMITE,ASY,PLUG,STD,109,ZN,4, CT



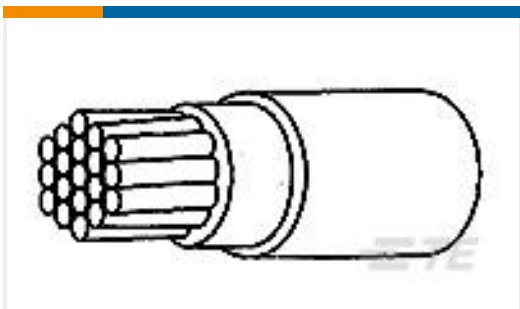
TE Part #5104338-3
A/L LOW PRO HDR 16P VERT HT



TE Part #650137-000
D-436-0097



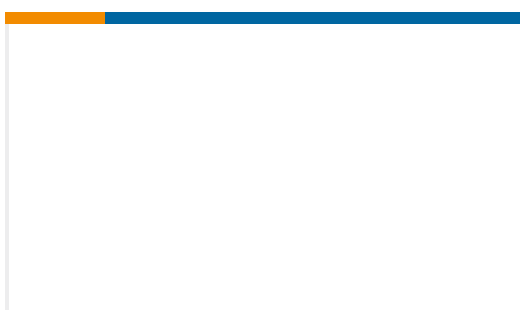
TE Part #650136-000
D-436-0096



TE Part #7699133001
FLT0111-1.00-6



TE Part #9-1393230-5
RP411024



TE Part #541056-000
CI-PE601-600/5

Documents

[CAD Files](#)

[3D PDF](#)

[3D](#)

[Customer View Model](#)

[ENG_CVM_CVM_SG1-80-3_1.2d_dxf.zip](#)

[English](#)

[Customer View Model](#)



[ENG_CVM_CVM_SG1-80-3_1.3d_igs.zip](#)

English

Customer View Model

[ENG_CVM_CVM_SG1-80-3_1.3d_stp.zip](#)

English

By downloading the CAD file I accept and agree to the [Terms and Conditions](#) of use.

Datasheets & Catalog Pages

SG1

English