



Sensors > Position Sensors > Potentiometer Sensors > Cable Actuated Position Sensors > String Pots - SG1



Cable Actuated Position Sensor Product Type: **SG Series String Pots**

Full Stroke Ranges: **2032 mm [80 in]**

Output Signal: **Voltage Divider (Potentiometric)**

Cable Actuated Position Sensor Accuracy: **.35 % of FS**

Repeatability: **.02 % of FS**

[All String Pots - SG1 \(5\)](#)

Features

Product Type Features

Cable Actuated Position Sensor Product Type	SG Series String Pots
---	-----------------------

Signal Characteristics

Output Signal	Voltage Divider (Potentiometric)
---------------	----------------------------------

Body Features

Cable Actuated Position Sensor Housing Material	Polycarbonate + Stainless Mounting Bracket
---	--

Usage Conditions

Operating Temperature Range	-40 – 71 °C[-40 – 160 °F]
-----------------------------	---------------------------

Operation/Application

Resolution	Continuous Analog mm
------------	----------------------

Industry Standards

IP Rating	IP50
Hazardous Area Approval	No

Other

Full Stroke Ranges	2032 mm[80 in]
Cable Actuated Position Sensor Accuracy	.35 % of FS



Repeatability	.02 % of FS
Encoder Drive	No
Measuring Cable	Nylon-Coated Stainless Steel

Product Compliance

[For compliance documentation, visit the product page on TE.com>](#)

EU RoHS Directive 2011/65/EU	Compliant
EU ELV Directive 2000/53/EC	Compliant
China RoHS 2 Directive MIIT Order No 32, 2016	No Restricted Materials Above Threshold
EU REACH Regulation (EC) No. 1907/2006	Current ECHA Candidate List: JUNE 2023 (235) Candidate List Declared Against: JUN 2020 (209) Does not contain REACH SVHC
Halogen Content	Not Yet Reviewed for halogen content
Solder Process Capability	Not reviewed for solder process capability

Product Compliance Disclaimer

This information is provided based on reasonable inquiry of our suppliers and represents our current actual knowledge based on the information they provided. This information is subject to change. The part numbers that TE has identified as EU RoHS compliant have a maximum concentration of 0.1% by weight in homogenous materials for lead, hexavalent chromium, mercury, PBB, PBDE, DBP, BBP, DEHP, DIBP, and 0.01% for cadmium, or qualify for an exemption to these limits as defined in the Annexes of Directive 2011/65/EU (RoHS2). Finished electrical and electronic equipment products will be CE marked as required by Directive 2011/65/EU. Components may not be CE marked. Additionally, the part numbers that TE has identified as EU ELV compliant have a maximum concentration of 0.1% by weight in homogenous materials for lead, hexavalent chromium, and mercury, and 0.01% for cadmium, or qualify for an exemption to these limits as defined in the Annexes of Directive 2000/53/EC (ELV). Regarding the REACH Regulation, the information TE provides on SVHC in articles for this part number is based on the latest European Chemicals Agency (ECHA) 'Guidance on requirements for substances in articles' posted at this URL: <https://echa.europa.eu/guidance-documents/guidance-on-reach>

Compatible Parts



Also in the Series | MEAS SG

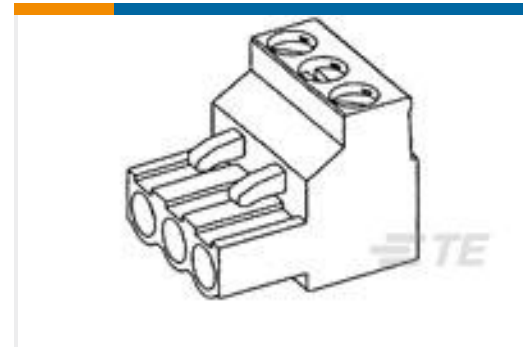


Cable Actuated Position Sensors(13)

Customers Also Bought



TE Part #170041-1
FF 110 TAB 20-16AWG BR LP



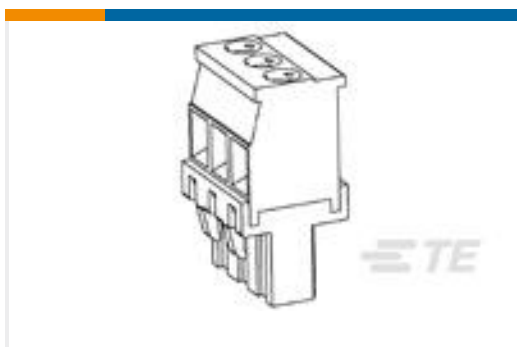
TE Part #282809-4
TERMI-BLOK PLUG STACKING 4P.10



TE Part #1SNK705011R0000
ZK2.5-3P



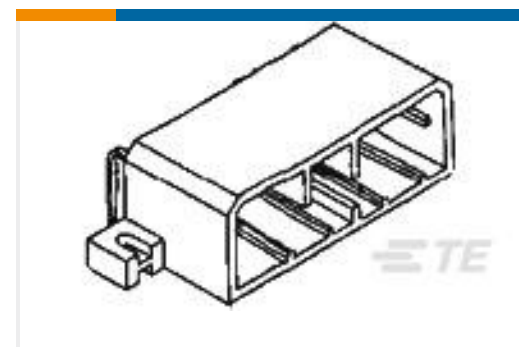
TE Part #1SNK905303R0000
JB5-3



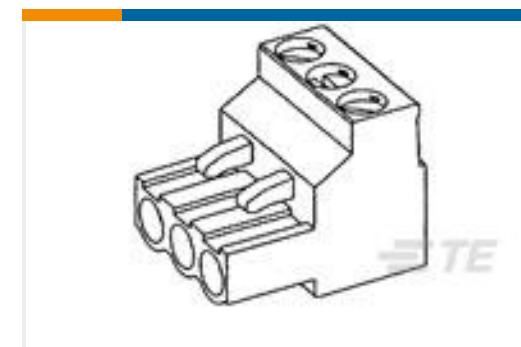
TE Part #284051-3
TERMI-BLOK VERTICAL PLUG STACK



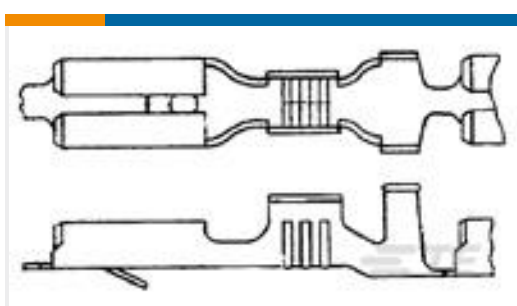
TE Part #SP2-25
STRING POT 25 INCH RANGE



TE Part #173862-1
070 MULTILOCK CAP ASSY 18P



TE Part #282808-4
TERMI-BLOK PLUG STACKING 4P.10



TE Part #170042-1
FF 110 REC 20-16AWG BR

Documents

CAD Files

[3D PDF](#)

[3D](#)

[Customer View Model](#)

[ENG_CVM_CVM_SG1-80-2_1.2d_dxf.zip](#)

[English](#)

[Customer View Model](#)

[ENG_CVM_CVM_SG1-80-2_1.3d_igs.zip](#)



English

Customer View Model

[ENG_CVM_CVM_SG1-80-2_1.3d_stp.zip](#)

English

By downloading the CAD file I accept and agree to the [Terms and Conditions](#) of use.