



Sensors > Temperature Sensors > RTD Sensors > RTD Sensor Elements



RTD Element Type: **Platinum Glass Wire Wound Element**

Tolerance Class: **Class B / W0.3**

Element Package: **Glass**

Element Material: **Platinum**

Lead Wire Style: **Ni/Pt**

## Features

### Product Type Features

Wire/Cladding Type	Ni/Pt
Model Number	GO 2327
RTD Element Type	Platinum Glass Wire Wound Element
Element Material	Platinum
Lead Wire Style	Ni/Pt

### Configuration Features

Connector Type	Open Ends
----------------	-----------

### Dimensions

Wire Length	15 mm
Diameter (Body)	2.7 mm[.106 in]
Wire Diameter	.25 mm[.009 in]
Length (Body)	23 mm[.905 in]

### Usage Conditions

Resistance (at T_ref)	100 (0 °C) Ω
T_ref for Accuracy	0 °C
Ambient Temperature Range	-196 – 400 °C[-320.8 – 752 °F]
T1 and T2 for TCR	0 and +100 °C
TCR at (T1 and T2)	3850 ppm/°C

Accuracy (at T <sub>ref</sub> )	± .3 °C
T <sub>ref</sub> for Resistance	0 °C
Maximum Temperature	400 °C[752 °F]

### Packaging Features

Element Package	Glass
-----------------	-------

### Other

Tolerance Class	Class B / W0.3
Wire Count	2

### Product Compliance

[For compliance documentation, visit the product page on TE.com>](#)

EU RoHS Directive 2011/65/EU	Compliant
EU ELV Directive 2000/53/EC	Not Yet Reviewed
China RoHS 2 Directive MIIT Order No 32, 2016	No Restricted Materials Above Threshold
EU REACH Regulation (EC) No. 1907/2006	Current ECHA Candidate List: JUNE 2023 (235) Candidate List Declared Against: JAN 2021 (211) Does not contain REACH SVHC
Halogen Content	Not Yet Reviewed for halogen content
Solder Process Capability	Not reviewed for solder process capability

#### Product Compliance Disclaimer

This information is provided based on reasonable inquiry of our suppliers and represents our current actual knowledge based on the information they provided. This information is subject to change. The part numbers that TE has identified as EU RoHS compliant have a maximum concentration of 0.1% by weight in homogenous materials for lead, hexavalent chromium, mercury, PBB, PBDE, DBP, BBP, DEHP, DIBP, and 0.01% for cadmium, or qualify for an exemption to these limits as defined in the Annexes of Directive 2011/65/EU (RoHS2). Finished electrical and electronic equipment products will be CE marked as required by Directive 2011/65/EU. Components may not be CE marked. Additionally, the part numbers that TE has identified as EU ELV compliant have a maximum concentration of 0.1% by weight in homogenous materials for lead, hexavalent chromium, and mercury, and 0.01% for cadmium, or qualify for an exemption to these limits as defined in the Annexes of Directive 2000/53/EC (ELV). Regarding the REACH Regulation, the information TE provides on SVHC in articles for this part number is based on the latest European Chemicals Agency (ECHA) 'Guidance on requirements for substances in articles' posted at this URL: <https://echa.europa.eu/guidance-documents/guidance-on-reach>

Also in the Series | [MEAS GO](#)



RTD Sensor Elements(10)

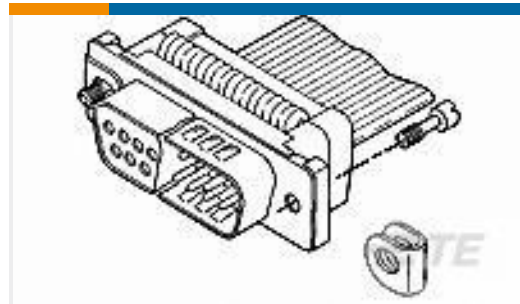
### Customers Also Bought



TE Part #320554  
PIDG R 22-16 COMM 22-18 MIL 8



TE Part #1-1630027-2  
HSC300 33R 5%



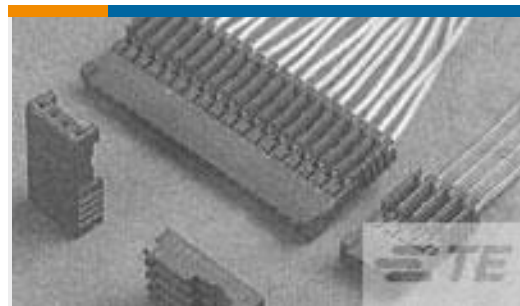
TE Part #5746881-2  
SCREW RETAINER KIT,BULK PKG



TE Part #680329-000  
D-609-09



TE Part #680330-000  
D-609-10



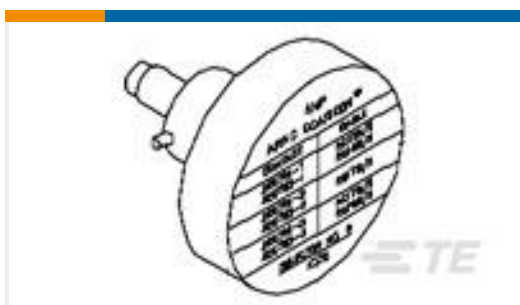
TE Part #281786-6  
PLUG HE14 IDC 180 6 P AWG 28-26



TE Part #583393-000  
S1125-KIT-5



TE Part #680332-000  
D-609-12



TE Part #1-601966-4  
POSITIONIER FOR 601966-1

### Documents

#### CAD Files

[3D PDF](#)

[3D](#)

[Customer View Model](#)

[ENG\\_CVM\\_CVM\\_SB0870\\_1.2d\\_dxf.zip](#)

[English](#)

[Customer View Model](#)

[ENG\\_CVM\\_CVM\\_SB0870\\_1.3d\\_igs.zip](#)



English

Customer View Model

[ENG\\_CVM\\_CVM\\_SB0870\\_1.3d\\_stp.zip](#)

English

By downloading the CAD file I accept and agree to the [Terms and Conditions](#) of use.

---

**Datasheets & Catalog Pages**

[GWW Type GO](#)

English