

OTX-900-HH-LR8-PRC ✓ ACTIVE

TE Internal #: OTX-900-HH-LR8-PRC

TE Internal Description: Remote HUM-PRC 900MHz FHSS 8Btn

XCVR FCC

[View on TE.com >](#)



Product Compliance

[For compliance documentation, visit the product page on TE.com>](#)

EU RoHS Directive 2011/65/EU	Compliant with Exemptions
EU ELV Directive 2000/53/EC	Not Yet Reviewed
China RoHS 2 Directive MIIT Order No 32, 2016	Restricted Materials Above Threshold
EU REACH Regulation (EC) No. 1907/2006	Current ECHA Candidate List: JUNE 2023 (235) Not Yet Reviewed
Halogen Content	Not Yet Reviewed for halogen content
Solder Process Capability	Not reviewed for solder process capability

Product Compliance Disclaimer

This information is provided based on reasonable inquiry of our suppliers and represents our current actual knowledge based on the information they provided. This information is subject to change. The part numbers that TE has identified as EU RoHS compliant have a maximum concentration of 0.1% by weight in homogenous materials for lead, hexavalent chromium, mercury, PBB, PBDE, DBP, BBP, DEHP, DIBP, and 0.01% for cadmium, or qualify for an exemption to these limits as defined in the Annexes of Directive 2011/65/EU (RoHS2). Finished electrical and electronic equipment products will be CE marked as required by Directive 2011/65/EU. Components may not be CE marked. Additionally, the part numbers that TE has identified as EU ELV compliant have a maximum concentration of 0.1% by weight in homogenous materials for lead, hexavalent chromium, and mercury, and 0.01% for cadmium, or qualify for an exemption to these limits as defined in the Annexes of Directive 2000/53/EC (ELV). Regarding the REACH Regulations, TE's information on SVHC in articles for this part number is still based on the European Chemical Agency (ECHA) 'Guidance on requirements for substances in articles' (Version: 2, April 2011), applying the 0.1% weight on weight concentration threshold at the finished product level. TE is aware of the European Court of Justice ruling of September 10th, 2015 also known as O5A (Once An Article Always An Article) stating that, in case of 'complex object', the threshold for a SVHC must be applied to both the product as a whole and simultaneously to each of the articles forming part of its composition. TE has evaluated this ruling based on the new ECHA "Guidance on requirements for substances in articles" (June 2017, version 4.0) and will be updating its statements accordingly.

Compatible Parts



TE Part # HUM-900-PRC
Module HUM-PRC 900MHz FHSS FM XCVR



TE Part # HUM-900-PRC-CAS
Module HUM-PRC 900MHz FHSS FM XCVR FCC



TE Part # HUM-900-PRC-UFL
Module HUM-PRC 900MHz FHSS FM XCVR FCC



TE Part # HUM-900-PRO
Module HUM-PRO 900MHz FHSS FM XCVR



TE Part # HUM-900-PRO-CAS
Module HUM-PRO 900MHz FHSS FM XCVR FCC



TE Part # HUM-900-PRO-UFL
Module HUM-PRO 900MHz FHSS FM XCVR FCC

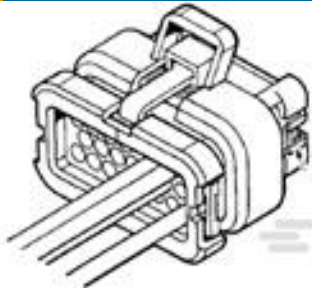


TE Part # HUM-A-900-PRO-CAS
Module HUM-PRO-A 900MHz FHSS FM XCVR FCC



TE Part # HUM-A-900-PRO-UFL
Module HUM-PRO-A 900MHz FHSS FM XCVR FCC

Customers Also Bought



TE Part #776164-6
35POS,AMPSEAL,SOC HSG ASSY,SLD, COD 6



TE Part #DTM13-12PC
HDR, 12P, GRY, RA, SN/NI/CU, C



TE Part #DTM1312PC12PDR008
HDR, 24P, BLK, RA EEC, NI/CU, CD



TE Part #ANT-916-MHW-RPS-S
Antenna 916MHz Dipole MHW Short RPS



TE Part #CSI-RSFE-200-UFFR
RP-SMA to U.FL/MHF1 200mm 1.13 OD



TE Part #HUM-900-PRC-UFL
Module HUM-PRC 900MHz FHSS FM XCVR FCC



TE Part #HUM-900-PRO-UFL
Module HUM-PRO 900MHz FHSS FM XCVR FCC



TE Part #MDEV-900-PRC
Dev-Kit HUM-PRC 900MHz FHSS Development



TE Part #OTX-ACC-KIT-HH-BLK
HH Boot & Belt Clip with Loop Black

Documents



[Datasheets & Catalog Pages](#)

[PRC Long-Range Handheld Transmitter](#)

English