

OTX-433-HH-KF2-MS ✓ ACTIVE

TE Internal #: OTX-433-HH-KF2-MS

TE Internal Description: Remote MS 433MHz OOK AM 2Btn KF TX

EU

[View on TE.com >](#)



Product Compliance

[For compliance documentation, visit the product page on TE.com>](#)

EU RoHS Directive 2011/65/EU	Compliant
EU ELV Directive 2000/53/EC	Not Yet Reviewed
China RoHS 2 Directive MIIT Order No 32, 2016	No Restricted Materials Above Threshold
EU REACH Regulation (EC) No. 1907/2006	Current ECHA Candidate List: JUNE 2023 (235) Not Yet Reviewed
Halogen Content	Not Yet Reviewed for halogen content
Solder Process Capability	Not reviewed for solder process capability

Product Compliance Disclaimer

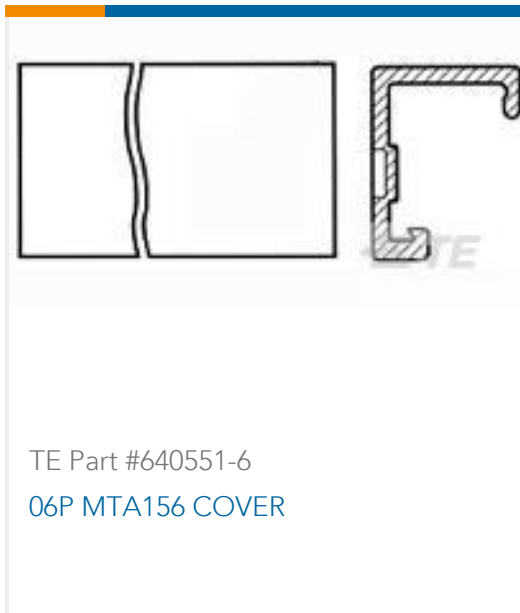
This information is provided based on reasonable inquiry of our suppliers and represents our current actual knowledge based on the information they provided. This information is subject to change. The part numbers that TE has identified as EU RoHS compliant have a maximum concentration of 0.1% by weight in homogenous materials for lead, hexavalent chromium, mercury, PBB, PBDE, DBP, BBP, DEHP, DIBP, and 0.01% for cadmium, or qualify for an exemption to these limits as defined in the Annexes of Directive 2011/65/EU (RoHS2). Finished electrical and electronic equipment products will be CE marked as required by Directive 2011/65/EU. Components may not be CE marked. Additionally, the part numbers that TE has identified as EU ELV compliant have a maximum concentration of 0.1% by weight in homogenous materials for lead, hexavalent chromium, and mercury, and 0.01% for cadmium, or qualify for an exemption to these limits as defined in the Annexes of Directive 2000/53/EC (ELV). Regarding the REACH Regulations, TE's information on SVHC in articles for this part number is still based on the European Chemical Agency (ECHA) 'Guidance on requirements for substances in articles' (Version: 2, April 2011), applying the 0.1% weight on weight concentration threshold at the finished product level. TE is aware of the European Court of Justice ruling of September 10th, 2015 also known as O5A (Once An Article Always An Article) stating that, in case of 'complex object', the threshold for a SVHC must be applied to both the product as a whole and simultaneously to each of the articles forming part of its composition. TE has evaluated this ruling based on the new ECHA "Guidance on requirements for substances in articles" (June 2017, version 4.0) and will be updating its statements accordingly.

Compatible Parts



TE Part # MDEV-433-HH-KF-MS
Dev-Kit MS 433MHz 5Btn KF Remote Control

Customers Also Bought



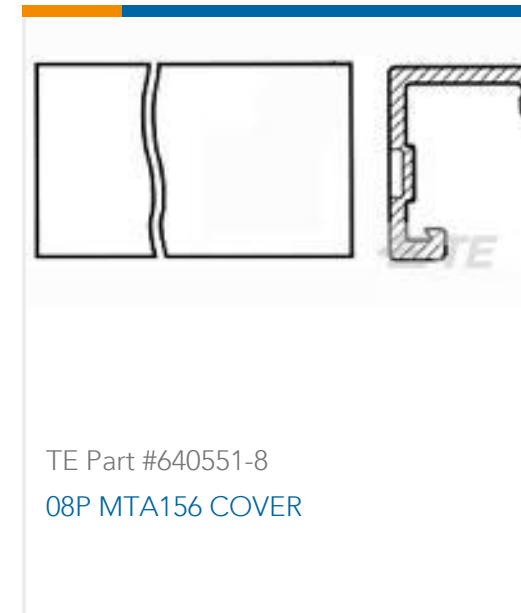
TE Part #640551-6
06P MTA156 COVER



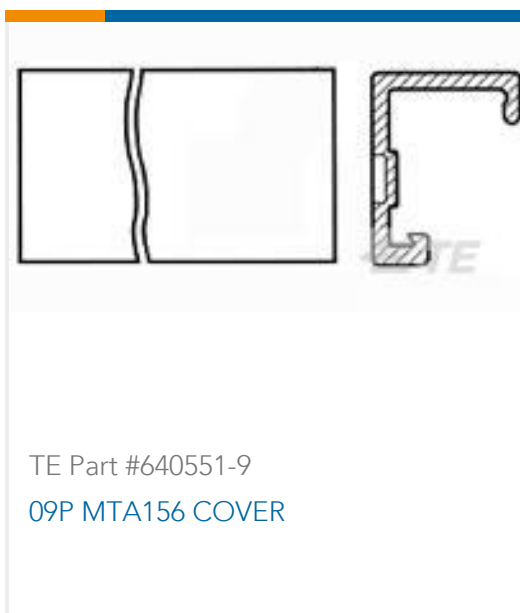
TE Part #640445-9
09P MTA156 HDR ASSY FL/STR SN



TE Part #3-640429-8
08P MTA156 CONN ASSY 24AWG WHT



TE Part #640551-8
08P MTA156 COVER



TE Part #640551-9
09P MTA156 COVER



TE Part #1418994-1
AMP MCP 2.8 HSG.WITH SEC.10POS



TE Part #3-640429-6
06P MTA156 CONN ASSY 24AWG WHT



TE Part #ANT-433-MHW-RPS-S
Antenna 433MHz Dipole MHW Short RPS



TE Part #CONREVSMA002-L
RP-SMA RA Jack 50 Ohm PCB Through Hole



TE Part #OTX-433-HH-LR8-MS
Remote MS 433MHz OOK AM 8Btn HH TX EU

Documents

Datasheets & Catalog Pages

MS Keyfob Transmitter

English