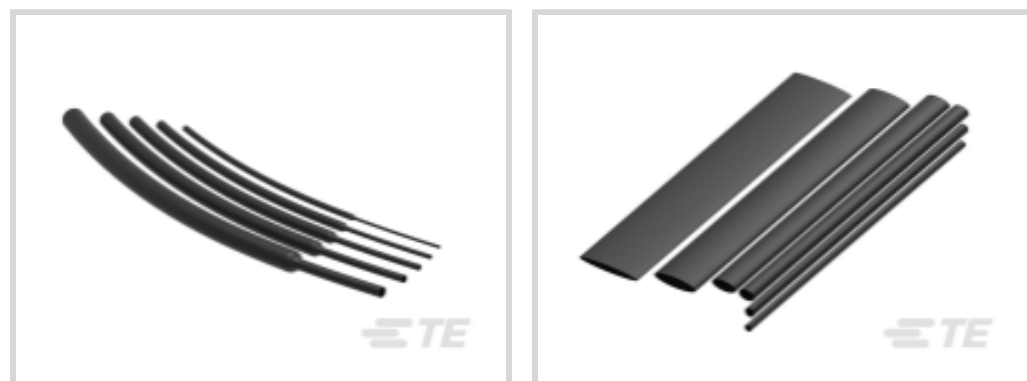




Heat Shrink Tubing



Primary Product Color: **Black**

Wall Type: **Single Wall**

Expanded Inside Diameter (Min): **7.11 mm [ .28 in ]**

Recovered Inside Diameter (Max): **3.17 mm [ .125 in ]**

Shrink Ratio: **2:1**

**Features**

**Product Type Features**

Wall Type	Single Wall
-----------	-------------

**Electrical Characteristics**

Operating Voltage (Max)	.6 kV
-------------------------	-------

**Body Features**

Fluid Type	Aviation Fuel, Chemicals/Solvents, De-Icing Fluid, Hydraulic Fluid, Lubricating Oil, Water
Primary Product Color	Black
Shrink Ratio	2:1
Primary Product Material	Irradiated Modified Polyolefin
Flexibility	Very Flexible

**Dimensions**

Recovered Wall Thickness (Tolerance)	.16 mm[.006 in]
Recovered Wall Thickness (Nominal)	.64 mm[.025 in]
Expanded Inside Diameter (Min)	7.11 mm[.28 in]
Recovered Inside Diameter (Max)	3.17 mm[.125 in]
Tubing Size Range	3.2 – 7.11 mm[.125 – .28 in]

**Usage Conditions**



Shrink Temperature (Min)	70 °C
Tubing Flammability Type	Highly Flame-Retardant
Operating Temperature Range	-55 – 135 °C
Recovery Temperature	90 °C

### Operation/Application

Mechanical Resistance	Fluids, Strain Relief, Wrinkling
-----------------------	----------------------------------

### Product Availability

Applicable Region	Global
-------------------	--------

### Packaging Features

Packaging Method	Reel
------------------	------

### Other

Meets Low Outgassing Requirements	No
Product Source	Czech Republic

## Product Compliance

[For compliance documentation, visit the product page on TE.com>](#)

EU RoHS Directive 2011/65/EU	Compliant
EU ELV Directive 2000/53/EC	Compliant
China RoHS 2 Directive MIIT Order No 32, 2016	No Restricted Materials Above Threshold
EU REACH Regulation (EC) No. 1907/2006	Current ECHA Candidate List: JUNE 2023 (235) Candidate List Declared Against: JUNE 2023 (235) Does not contain REACH SVHC
Halogen Content	Not Low Halogen - contains Br or Cl > 900 ppm.
Solder Process Capability	Not applicable for solder process capability

#### Product Compliance Disclaimer

This information is provided based on reasonable inquiry of our suppliers and represents our current actual knowledge based on the information they provided. This information is subject to change. The part numbers that TE has identified as EU RoHS compliant have a maximum concentration of 0.1% by weight in homogenous materials for lead, hexavalent chromium, mercury, PBB, PBDE, DBP, BBP, DEHP, DIBP, and 0.01% for cadmium, or qualify for an exemption to these limits as defined in the Annexes of Directive 2011/65/EU (RoHS2). Finished electrical and electronic equipment products will be CE marked as required by Directive 2011/65/EU. Components may not be CE marked. Additionally, the part numbers that TE has identified as EU ELV compliant have a maximum concentration of 0.1% by weight in homogenous materials for lead, hexavalent chromium, and mercury, and 0.01% for cadmium, or qualify for an exemption to these limits as defined in the Annexes of Directive 2000/53/EC (ELV). Regarding the REACH Regulation, the information TE provides

on SVHC in articles for this part number is based on the latest European Chemicals Agency (ECHA) 'Guidance on requirements for substances in articles' posted at this URL: <https://echa.europa.eu/guidance-documents/guidance-on-reach>

## Compatible Parts



TE Part # EG1114-000  
CV1981-ST-230V1600W-EU

## Also in the Series | RAYCHEM Versafit

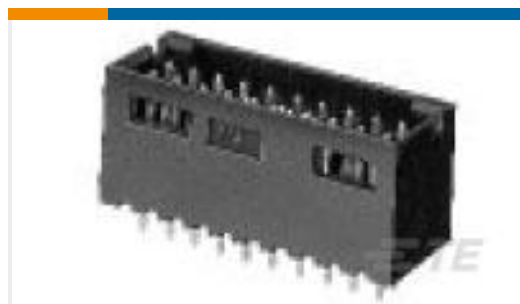


Heat Shrink Tubing(257)

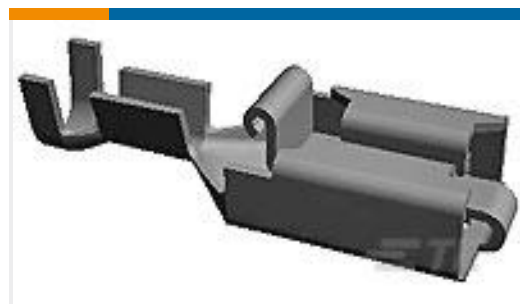
## Customers Also Bought



TE Part #487526-5  
006 HOUSING FFC RCPT 100CL SR



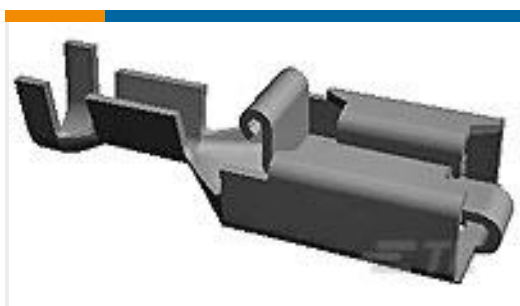
TE Part #5-102618-3  
10 MODII HDR DRST SHRD .100CL



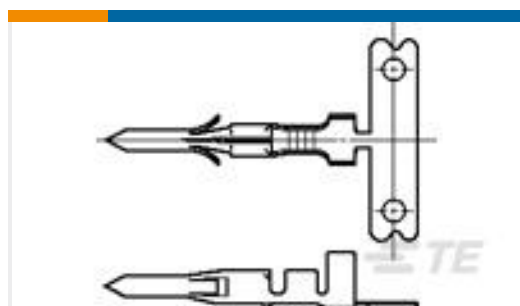
TE Part #341001-6  
PL 250 REC TERMINAL 13-11 PTPB LP



TE Part #181953-1  
250 FASTON,TAB,BR



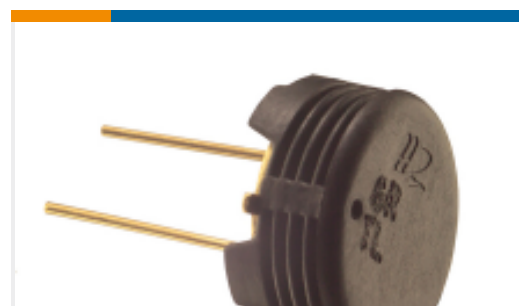
TE Part #737015-3  
PL TERMINAL RECEPTACLE 4-6 MM2 PTPBR



TE Part #350629-1  
.062 COMM P&S PIN 18-24 PTPBR



TE Part #2204080-1  
PLUGGABLE BUSBAR FOR 3MM BOARD



TE Part #HPP801A031  
HS1101LF HUMIDITY SENSOR BOARD



## Documents

### Product Drawings

[VERSAFIT-1/4-0-SP-SM](#)

English

---

### Datasheets & Catalog Pages

[VERSAFIT Pages from 9-1773447-9](#)

English

---

### Product Specifications

[Application Specification](#)

English