

NB15754001 ✓ ACTIVE

RAYCHEM | RAYCHEM RNF-150

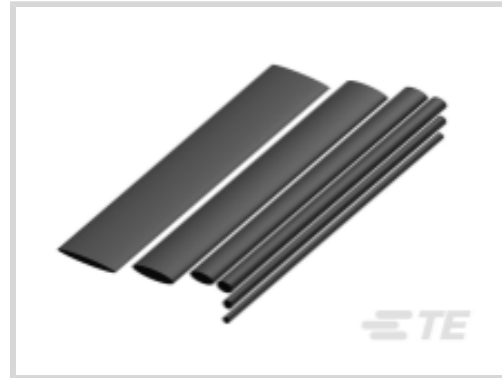
TE Internal #: NB15754001

Black, 2:1, Single Wall Tubing, Shrinks To .093 in [2.36 mm],  
Crosslinked Fluoropolymer, .187 in [4.75 mm] Inner Diameter,  
RAYCHEM RNF-150

[View on TE.com >](#)



Heat Shrink Tubing > RNF150 Heat shrink Tubing



Primary Product Color: **Black**

Wall Type: **Single Wall**

Expanded Inside Diameter (Min): **4.75 mm [ .187 in ]**

Recovered Inside Diameter (Max): **2.36 mm [ .093 in ]**

Shrink Ratio: **2:1**

[All RNF150 Heat shrink Tubing \(27\)](#)

## Features

### Product Type Features

Wall Type	Single Wall
-----------	-------------

### Electrical Characteristics

Operating Voltage (Max)	.6 kV
-------------------------	-------

### Body Features

Fluid Type	Aviation Fuel, Hydraulic Fluid, Lubricating Oil, Water
Primary Product Color	Black
Shrink Ratio	2:1
Primary Product Material	Crosslinked Fluoropolymer
Flexibility	Flexible

### Dimensions

Recovered Wall Thickness (Tolerance)	.1 mm[.004 in]
Recovered Wall Thickness (Nominal)	.25 mm[.01 in]
Expanded Inside Diameter (Min)	4.75 mm[.187 in]
Recovered Inside Diameter (Max)	2.36 mm[.093 in]

### Usage Conditions



Shrink Temperature (Min)	110 °C
Tubing Flammability Type	Highly Flame-Retardant
Operating Temperature Range	-55 – 150 °C
Recovery Temperature	150 °C

### Operation/Application

Mechanical Resistance	Abrasion, Fluids, Mechanical Damage, Strain Relief
-----------------------	--

### Product Availability

Applicable Region	Global
-------------------	--------

### Packaging Features

Packaging Method	Spool
------------------	-------

### Other

Meets Low Outgassing Requirements	No
Product Source	Czech Republic

### Product Compliance

[For compliance documentation, visit the product page on TE.com>](#)

EU RoHS Directive 2011/65/EU	Compliant
EU ELV Directive 2000/53/EC	Compliant
China RoHS 2 Directive MIIT Order No 32, 2016	No Restricted Materials Above Threshold
EU REACH Regulation (EC) No. 1907/2006	Current ECHA Candidate List: JUNE 2023 (235) Candidate List Declared Against: JUNE 2023 (235) Does not contain REACH SVHC
Halogen Content	Low Bromine/Chlorine - Br and Cl < 900 ppm per homogenous material. Also BFR /CFR/PVC Free
Solder Process Capability	Not applicable for solder process capability

#### Product Compliance Disclaimer

This information is provided based on reasonable inquiry of our suppliers and represents our current actual knowledge based on the information they provided. This information is subject to change. The part numbers that TE has identified as EU RoHS compliant have a maximum concentration of 0.1% by weight in homogenous materials for lead, hexavalent chromium, mercury, PBB, PBDE, DBP, BBP, DEHP, DIBP, and 0.01% for cadmium, or qualify for an exemption to these limits as defined in the Annexes of Directive 2011/65/EU (RoHS2). Finished electrical and electronic equipment products will be CE marked as required by Directive 2011/65/EU. Components may not be CE marked. Additionally, the part numbers that TE has identified as EU ELV compliant have a maximum concentration of 0.1% by weight in homogenous materials for lead, hexavalent chromium, and mercury, and 0.01% for cadmium, or qualify for an exemption to these limits as defined in the Annexes of Directive 2000/53/EC (ELV). Regarding the REACH Regulation, the information TE provides

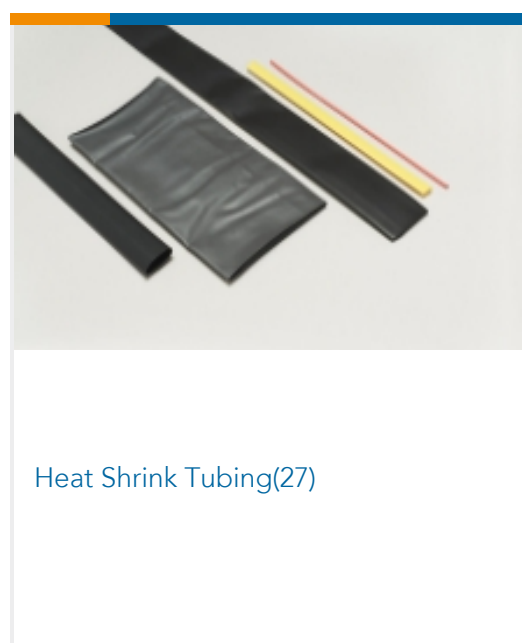


on SVHC in articles for this part number is based on the latest European Chemicals Agency (ECHA) 'Guidance on requirements for substances in articles' posted at this URL: <https://echa.europa.eu/guidance-documents/guidance-on-reach>

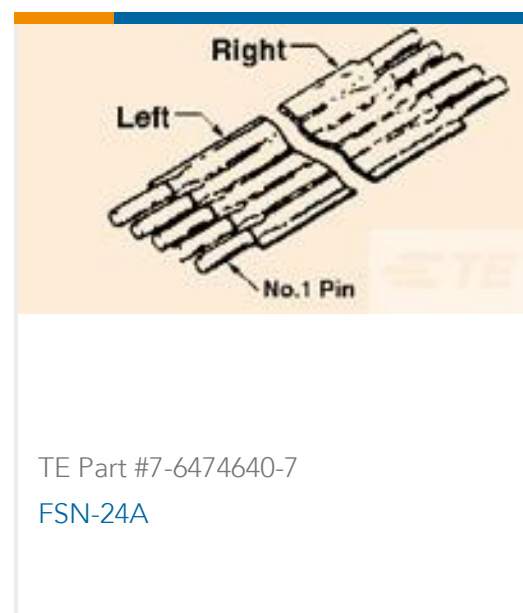
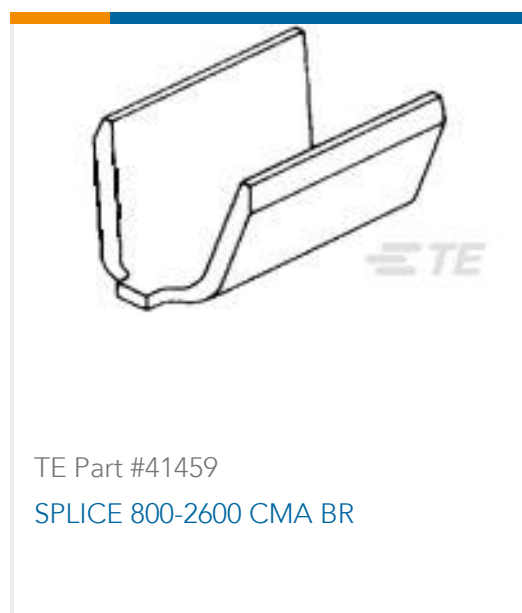
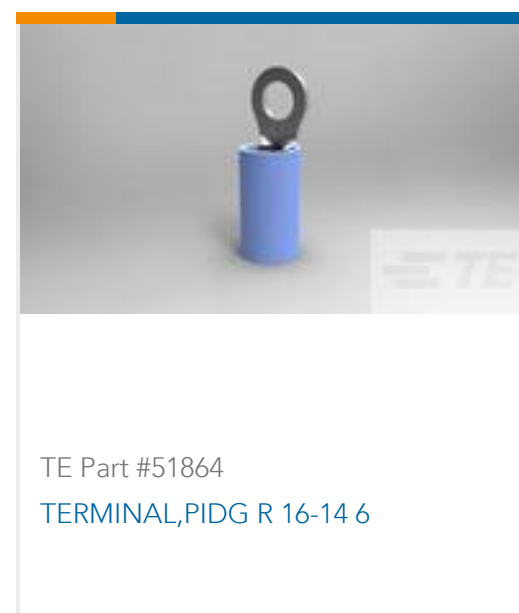
## Compatible Parts



## Also in the Series | RAYCHEM RNF-150



## Customers Also Bought



## Documents

### Product Drawings



**RNF-150-3/16-0-SP**

English

---

**Datasheets & Catalog Pages**

**RNF-150 Pages from 9-1773447-9**

English

---

**Product Specifications**

**Application Specification**

English