

NB15524001 ✓ ACTIVE

RAYCHEM | RAYCHEM RNF-100

TE Internal #: NB15524001

Transparent, 2:1, Single Wall Tubing, Shrinks To .023 in [.6 mm],
Irradiated Modified Polyolefin, .046 in [1.2 mm] Inner Diameter,
RAYCHEM RNF-100

[View on TE.com >](#)



Heat Shrink Tubing > RNF100-CL Heat shrink Tubing



Primary Product Color: **Transparent**

Wall Type: **Single Wall**

Expanded Inside Diameter (Min): **1.2 mm [.046 in]**

Recovered Inside Diameter (Max): **.6 mm [.023 in]**

Shrink Ratio: **2:1**

[All RNF100-CL Heat shrink Tubing \(46\)](#)

Features

Product Type Features

Wall Type	Single Wall
-----------	-------------

Electrical Characteristics

Operating Voltage (Max)	.6 kV
-------------------------	-------

Body Features

Fluid Type	Gasoline, Hydraulic Fluid, Lubricating Oil
Primary Product Color	Transparent
Shrink Ratio	2:1
Primary Product Material	Irradiated Modified Polyolefin
Flexibility	Flexible

Dimensions

Recovered Wall Thickness (Tolerance)	.08 mm[.003 in]
Recovered Wall Thickness (Nominal)	.4 mm[.016 in]
Expanded Inside Diameter (Min)	1.2 mm[.046 in]
Recovered Inside Diameter (Max)	.6 mm[.023 in]
Tubing Size Range	.6 – 1.2 mm[.023 – .046 in]

Usage Conditions



Shrink Temperature (Min)	95 °C
Tubing Flammability Type	Non-Flame-Retardant
Operating Temperature Range	-55 – 135 °C
Recovery Temperature	121 °C

Operation/Application

Mechanical Resistance	Abrasion, Fluids, Mechanical Damage, Strain Relief
-----------------------	----------------------------------------------------

Product Availability

Applicable Region	Global
-------------------	--------

Packaging Features

Packaging Method	Reel
------------------	------

Other

Meets Low Outgassing Requirements	No
Product Source	Czech Republic

Product Compliance

[For compliance documentation, visit the product page on TE.com>](#)

EU RoHS Directive 2011/65/EU	Compliant
EU ELV Directive 2000/53/EC	Compliant
China RoHS 2 Directive MIIT Order No 32, 2016	No Restricted Materials Above Threshold
EU REACH Regulation (EC) No. 1907/2006	Current ECHA Candidate List: JUNE 2023 (235) Candidate List Declared Against: JUNE 2023 (235) Does not contain REACH SVHC
Halogen Content	Low Halogen - Br, Cl, F, I < 900 ppm per homogenous material. Also BFR/CFR/PVC Free
Solder Process Capability	Not applicable for solder process capability

Product Compliance Disclaimer

This information is provided based on reasonable inquiry of our suppliers and represents our current actual knowledge based on the information they provided. This information is subject to change. The part numbers that TE has identified as EU RoHS compliant have a maximum concentration of 0.1% by weight in homogenous materials for lead, hexavalent chromium, mercury, PBB, PBDE, DBP, BBP, DEHP, DIBP, and 0.01% for cadmium, or qualify for an exemption to these limits as defined in the Annexes of Directive 2011/65/EU (RoHS2). Finished electrical and electronic equipment products will be CE marked as required by Directive 2011/65/EU. Components may not be CE marked. Additionally, the part numbers that TE has identified as EU ELV compliant have a maximum concentration of 0.1% by weight in homogenous materials for lead, hexavalent chromium, and mercury, and 0.01% for cadmium, or qualify for an exemption to these limits

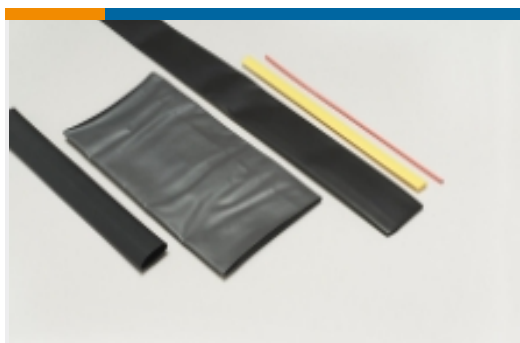
as defined in the Annexes of Directive 2000/53/EC (ELV). Regarding the REACH Regulation, the information TE provides on SVHC in articles for this part number is based on the latest European Chemicals Agency (ECHA) 'Guidance on requirements for substances in articles' posted at this URL: <https://echa.europa.eu/guidance-documents/guidance-on-reach>

Compatible Parts



TE Part # EG1114-000
CV1981-ST-230V1600W-EU

Also in the Series | RAYCHEM RNF-100

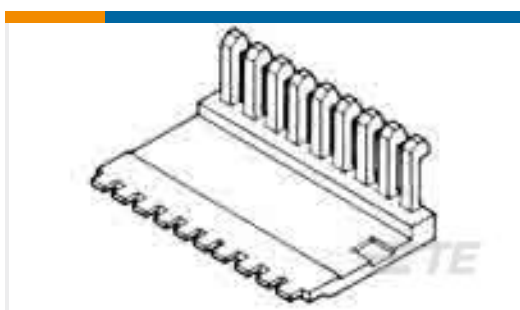


Heat Shrink Tubing(835)



Power Cable Tubing & Accessories(8)

Customers Also Bought



TE Part #102536-7
18 AMPMODU MT COVER DR .100CL



TE Part #5-102398-7
18 AMPMODU MT ASSY DR .100CL



TE Part #5053174023
RNF-100-3/8-6-SP



TE Part #NB19414001
RNF-100-3/16-BU-SP



TE Part #NB19444001
RNF-100-3/16-CL-SP



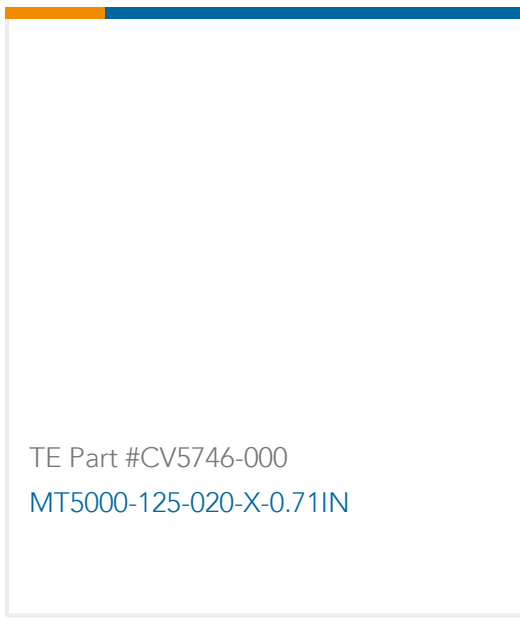
TE Part #CP5068-000
MT-LWA-1/16-X-SP



TE Part #7755894002
MT2000-1.0-X-SP



TE Part #5053044177
RNF-100-3/16-BK-SP



Documents

Product Drawings

[RNF-100-3/64-CL-SP](#)

English

Datasheets & Catalog Pages

[RNF-100 Pages from 9-1773447-9](#)

English

Product Specifications

[Application Specification](#)

English