



MEAS | MEAS MS5803

TE Internal #: MS580302BA01-00

Digital Pressure and Altimeter Sensor Modules, Absolute, 2000 mbar, Output/Span 24 bit ADC, ±2.5mbar, Supply Voltage 1.8 – 3.6 V, MEAS MS5803

[View on TE.com >](#)

Sensors > Pressure Sensors > Board Mount Pressure Sensors > 0-2 BAR DIGITAL PRESSURE SENSOR



Board Level Pressure Sensor Type: **Digital Pressure and Altimeter Sensor Modules**

Board Level Pressure Sensor Style: **Absolute**

Pressure: **2000 mbar**

Output/Span: **24 bit ADC**

Board Level Pressure Sensor Accuracy: **±2.5mbar**

[All 0-2 BAR DIGITAL PRESSURE SENSOR \(2\)](#)

Features

Product Type Features

Board Level Pressure Sensor Type	Digital Pressure and Altimeter Sensor Modules
Board Level Pressure Sensor Style	Absolute

Electrical Characteristics

Board Level Pressure Sensor Supply Voltage	1.8 – 3.6 V
--	-------------

Dimensions

Dimensions	6.2 x 6.4 mm [.24 x .25 in]
------------	-----------------------------

Usage Conditions

Operating Temperature Range	-40 – 85 °C [-40 – 185 °F]
-----------------------------	----------------------------

Operation/Application

Resolution	.024
Pressure	2000 mbar
Output/Span	24 bit ADC
Board Level Pressure Sensor Accuracy	±2.5mbar

Packaging Features

Board Level Pressure Sensor Package	Surface Mountable
-------------------------------------	-------------------

Other

Sensor Options

No Option

Product Compliance

[For compliance documentation, visit the product page on TE.com>](#)

EU RoHS Directive 2011/65/EU

Compliant

EU ELV Directive 2000/53/EC

Compliant

China RoHS 2 Directive MIIT Order No 32, 2016

No Restricted Materials Above Threshold

EU REACH Regulation (EC) No. 1907/2006

Current ECHA Candidate List: JUNE 2023
(235)
Candidate List Declared Against: JAN 2023
(233)
Does not contain REACH SVHC

Halogen Content

Not Yet Reviewed for halogen content

Solder Process Capability

Not reviewed for solder process capability

Product Compliance Disclaimer

This information is provided based on reasonable inquiry of our suppliers and represents our current actual knowledge based on the information they provided. This information is subject to change. The part numbers that TE has identified as EU RoHS compliant have a maximum concentration of 0.1% by weight in homogenous materials for lead, hexavalent chromium, mercury, PBB, PBDE, DBP, BBP, DEHP, DIBP, and 0.01% for cadmium, or qualify for an exemption to these limits as defined in the Annexes of Directive 2011/65/EU (RoHS2). Finished electrical and electronic equipment products will be CE marked as required by Directive 2011/65/EU. Components may not be CE marked. Additionally, the part numbers that TE has identified as EU ELV compliant have a maximum concentration of 0.1% by weight in homogenous materials for lead, hexavalent chromium, and mercury, and 0.01% for cadmium, or qualify for an exemption to these limits as defined in the Annexes of Directive 2000/53/EC (ELV). Regarding the REACH Regulation, the information TE provides on SVHC in articles for this part number is based on the latest European Chemicals Agency (ECHA) 'Guidance on requirements for substances in articles' posted at this URL: <https://echa.europa.eu/guidance-documents/guidance-on-reach>

Compatible Parts



TE Part # MS580314BA01-00
MS5803-14BA01 DIGIT PRESSURE
SENSOR TUBE



TE Part # MS580330BA01-00
MS5803-30BA01 DIGIT PRESSURE
SENSOR



TE Part # MS580301BA01-00
MS5803-01BA01 PRESSURE SENSOR
TUBE



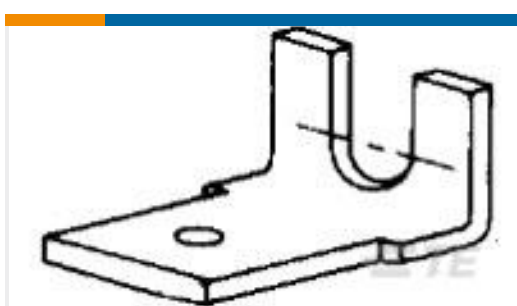
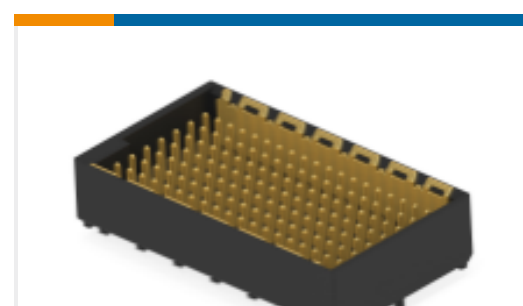
TE Part # MS580305BA01-00
MS5803-05BA 5BAR WHITE GEL TUBE

Also in the Series | MEAS MS5803



Board Mount Pressure Sensors(11)

Customers Also Bought

TE Part #5787683-1
15 RCPT SP/FMS SCRLKTE Part #1-2176054-6
RLP73N 2A R22 5% 5K RLTE Part #T4040034041-000
M8.MLE.PNLREAR.4POS.STR
PCBSHLDTE Part #6339082-3
LED STK MJ ASSY, 2X4, 8 POS, CAT5TE Part #215876-2
6/4 PCB MOD. JACK SETE Part #1-2834015-6
6POS 2.54MM TES CONN.TE Part #2-1393225-1
RY611024TE Part #160650-2
250 FASTON, PCB TAB, TNBRTE Part #62166-1
250 FASTON TAB BRTE Part #214355-E
MSPEED 133 M SMD M1 * A-G VVV
137 176 *

Documents

CAD Files

[3D PDF](#)

[3D](#)

Customer View Model

[ENG_CVM_CVM_MS580302BA01-00_A.2d_dxf.zip](#)

English

Customer View Model

[ENG_CVM_CVM_MS580302BA01-00_A.3d_igs.zip](#)



English

Customer View Model

[ENG_CVM_CVM_MS580302BA01-00_A.3d_stp.zip](#)

English

By downloading the CAD file I accept and agree to the [Terms and Conditions](#) of use.

Datasheets & Catalog Pages

[Data sheet](#)

English