



MEAS | MEAS LM

TE Internal #: LM31-00000F-002PG

TE Internal Description: 2PSIG LIQUID LEVEL PRESSURE TRANSDUCER

[View on TE.com >](#)

Sensors > Pressure Sensors > Pressure Transducers



Pressure Transducer Sensor Type: **Liquid Level Pressure Transducer**

Pressure Range: **0 – 2 psi**

Pressure Type: **Gauge**

Pressure Transducer Supply Voltage: **5 V**

Output/Span: **.5 – 4.5 V**

Features

Product Type Features

Pressure Transducer Sensor Type	Liquid Level Pressure Transducer
Pressure Type	Gauge

Configuration Features

Electrical Connection	Cable 1 ft
Pressure Port/Fitting	1/2 MNPT

Electrical Characteristics

Pressure Transducer Supply Voltage	5 V
------------------------------------	-----

Dimensions

Dimensions	Dia 28.6 mm[Dia 1.12 in]
------------	--------------------------

Usage Conditions

Pressure	.137 bar[2 psi]
Operating Temperature Range	-20 – 70 °C[-4 – 158 °F]

Operation/Application

Proof Pressure Range	3X Rated
Pressure Range	0 – 2 psi
Output/Span	.5 – 4.5 V
Pressure Accuracy	±1% Span

Other

Sensor Options

None

Product Compliance

For compliance documentation, visit the product page on TE.com>

EU RoHS Directive 2011/65/EU

Compliant with Exemptions

EU ELV Directive 2000/53/EC

Compliant with Exemptions

China RoHS 2 Directive MIIT Order No 32, 2016

Restricted Materials Above Threshold

EU REACH Regulation (EC) No. 1907/2006

Current ECHA Candidate List: JUNE 2023

(235)

Candidate List Declared Against: JUN 2020

(209)

SVHC > Threshold:

Pb (3.7% in component)

Article Safe Usage Statements:

Do not eat, drink or smoke when using this product. Wash thoroughly after handling. Recycle if possible and dispose of the article by following all applicable governmental regulations relevant to your geographic location.

Halogen Content

Not Yet Reviewed for halogen content

Solder Process Capability

Not reviewed for solder process capability

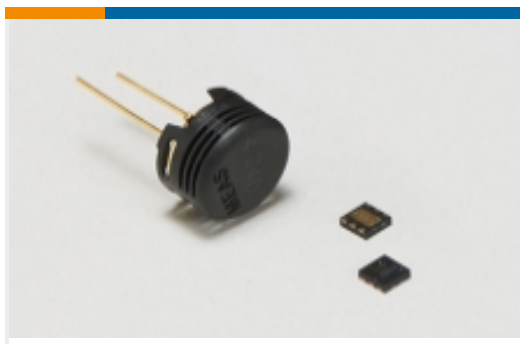
Product Compliance Disclaimer

This information is provided based on reasonable inquiry of our suppliers and represents our current actual knowledge based on the information they provided. This information is subject to change. The part numbers that TE has identified as EU RoHS compliant have a maximum concentration of 0.1% by weight in homogenous materials for lead, hexavalent chromium, mercury, PBB, PBDE, DBP, BBP, DEHP, DIBP, and 0.01% for cadmium, or qualify for an exemption to these limits as defined in the Annexes of Directive 2011/65/EU (RoHS2). Finished electrical and electronic equipment products will be CE marked as required by Directive 2011/65/EU. Components may not be CE marked. Additionally, the part numbers that TE has identified as EU ELV compliant have a maximum concentration of 0.1% by weight in homogenous materials for lead, hexavalent chromium, and mercury, and 0.01% for cadmium, or qualify for an exemption to these limits as defined in the Annexes of Directive 2000/53/EC (ELV). Regarding the REACH Regulation, the information TE provides on SVHC in articles for this part number is based on the latest European Chemicals Agency (ECHA) 'Guidance on requirements for substances in articles' posted at this URL: <https://echa.europa.eu/guidance-documents/guidance-on-reach>

Compatible Parts



Also in the Series | **MEAS LM**

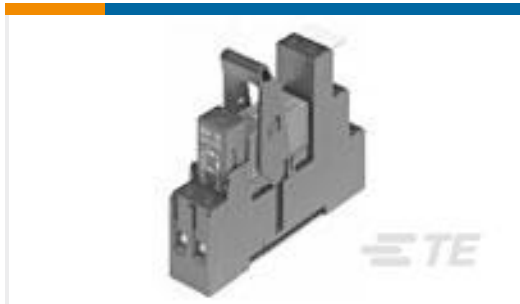


Humidity Sensor Components(1)



Pressure Transducers(4)

Customers Also Bought



TE Part #5-1415528-1
RT3S4S15



TE Part #1-1623929-5
CFR200 5% 1K0



TE Part #66255-8
MALE CONTACT ASSY. (STRIP)



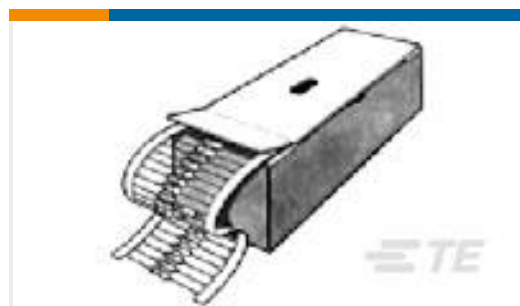
TE Part #8-2176230-0
3522 3M3 5% 3W



TE Part #8-1625892-6
3W SM M/OX 5% 5R6



TE Part #7-1625867-9
RP 1J 0.166W 41R2 0.1% 25PPM 1K RL



TE Part #1-2176080-9
EP 9W 10K 5%



TE Part #11026275-00
DT1-028K N/TH N/HOLE



TE Part #6-1419137-4
V23074A2001A403-EV-CBOX

Documents

CAD Files

[3D PDF](#)

[3D](#)

Customer View Model

[ENG_CVM_CVM_LM31-00000F-002PG_C.2d_dxf.zip](#)

English

Customer View Model

[ENG_CVM_CVM_LM31-00000F-002PG_C.3d_igs.zip](#)



English

Customer View Model

[ENG_CVM_CVM_LM31-00000F-002PG_C.3d_stp.zip](#)

English

By downloading the CAD file I accept and agree to the [Terms and Conditions](#) of use.

Datasheets & Catalog Pages

[LM_DS](#)

English