

ANT-916-WRT-UFL-150 ✓ ACTIVE

TE Internal #: L9000163-01

Dome/Puck Antenna, Single Band, LoRaWAN / LPWAN, External Mount, Panel, MHF / U.FL / MHF1, Omnidirectional, Single Port, Gain 3 < 6 dBi

[View on TE.com >](#)



Antennas



Wireless Application: **LoRaWAN, LPWAN, Wi-Fi**

Mounting Location: **External**

Mounting Type: **Panel**

Antenna Termination: **MHF, MHF1, U.FL, UMCC**

Antenna Type: **Dome/Puck**

Features

Product Type Features

Antenna Termination	MHF, MHF1, U.FL, UMCC
---------------------	-----------------------

Configuration Features

Mounting Location	External
-------------------	----------

Antenna Type	Dome/Puck
--------------	-----------

Band Type	Single Band
-----------	-------------

Port Configuration	Single Port
--------------------	-------------

Signal Characteristics

Nominal Frequency Range	902 – 930
-------------------------	-----------

Peak Gain	3 < 6 dBi
-----------	-----------

Mechanical Attachment

Mounting Type	Panel
---------------	-------

Operation/Application

Directionality	Omnidirectional
----------------	-----------------

Industry Standards

Wireless Application	LoRaWAN, LPWAN, Wi-Fi
----------------------	-----------------------

Primary Application	LoRaWAN, LPWAN
---------------------	----------------



Product Compliance

[For compliance documentation, visit the product page on TE.com>](#)

EU RoHS Directive 2011/65/EU	Compliant with Exemptions
EU ELV Directive 2000/53/EC	Not Yet Reviewed
China RoHS 2 Directive MIIT Order No 32, 2016	Restricted Materials Above Threshold
EU REACH Regulation (EC) No. 1907/2006	Current ECHA Candidate List: JUNE 2023 (235) Not Yet Reviewed
Halogen Content	Not Yet Reviewed for halogen content
Solder Process Capability	Not reviewed for solder process capability

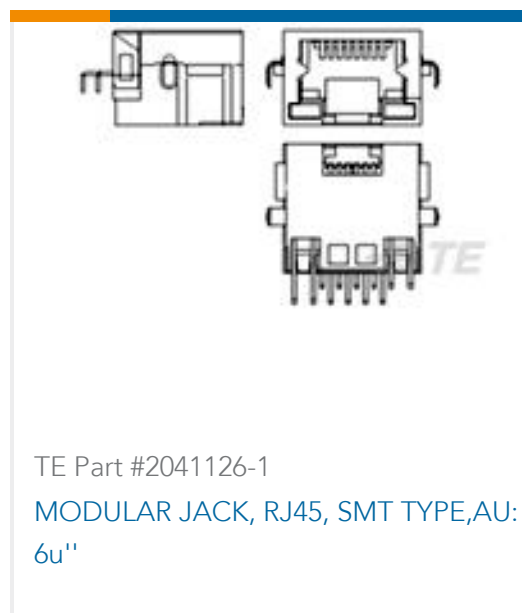
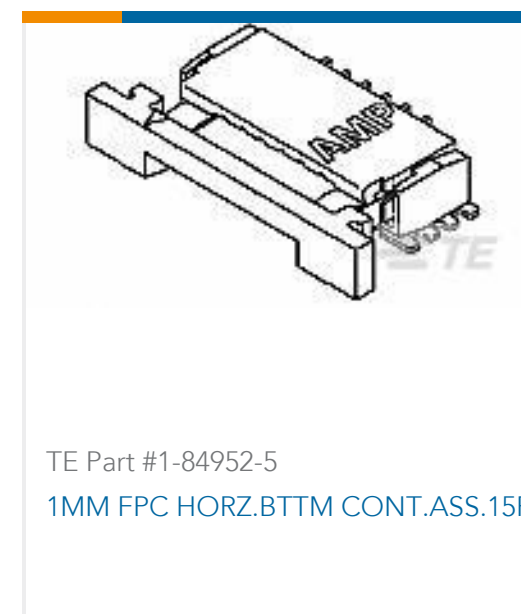
Product Compliance Disclaimer

This information is provided based on reasonable inquiry of our suppliers and represents our current actual knowledge based on the information they provided. This information is subject to change. The part numbers that TE has identified as EU RoHS compliant have a maximum concentration of 0.1% by weight in homogenous materials for lead, hexavalent chromium, mercury, PBB, PBDE, DBP, BBP, DEHP, DIBP, and 0.01% for cadmium, or qualify for an exemption to these limits as defined in the Annexes of Directive 2011/65/EU (RoHS2). Finished electrical and electronic equipment products will be CE marked as required by Directive 2011/65/EU. Components may not be CE marked. Additionally, the part numbers that TE has identified as EU ELV compliant have a maximum concentration of 0.1% by weight in homogenous materials for lead, hexavalent chromium, and mercury, and 0.01% for cadmium, or qualify for an exemption to these limits as defined in the Annexes of Directive 2000/53/EC (ELV). Regarding the REACH Regulations, TE's information on SVHC in articles for this part number is still based on the European Chemical Agency (ECHA) 'Guidance on requirements for substances in articles' (Version: 2, April 2011), applying the 0.1% weight on weight concentration threshold at the finished product level. TE is aware of the European Court of Justice ruling of September 10th, 2015 also known as O5A (Once An Article Always An Article) stating that, in case of 'complex object', the threshold for a SVHC must be applied to both the product as a whole and simultaneously to each of the articles forming part of its composition. TE has evaluated this ruling based on the new ECHA "Guidance on requirements for substances in articles" (June 2017, version 4.0) and will be updating its statements accordingly.

Compatible Parts

 <p>TE Part # CONMHF1-SMD-G-T U.FL/MHF1 Jack 50 Ohm PCB Surface Mount</p>	 <p>TE Part # CONMHF1-SMD-T U.FL/MHF1 Jack 50 Ohm PCB Surface Mount</p>	 <p>TE Part # CONUFL001-SMD Conn UFL MHF Straight PCB Mount Jack</p>	 <p>TE Part # CONUFL001-SMD-T U.FL/MHF1 Jack 50 Ohm PCB Surface Mount</p>
--	--	---	--

Customers Also Bought



Documents

Product Drawings

[Antenna Dome 916MHz 1.32 150 UFL](#)

English

Datasheets & Catalog Pages

[915 MHz External Panel-Mount Antenna](#)

English