

ANT-2.4-PW-QW-UFL ✓ ACTIVE

TE Internal #: L9000101-01

Whip Antenna, Single Band, ISM / Zigbee / Bluetooth, External Mount, Panel, MHF1 / UMCC / MHF, Omnidirectional, Single Port, Gain 0 < 3 dBi

[View on TE.com >](#)



Antennas



Wireless Application: **Bluetooth, ISM, Zigbee**

Mounting Location: **External**

Mounting Type: **Panel**

Antenna Termination: **MHF, MHF1, U.FL, UMCC**

Antenna Type: **Whip**

Features

Product Type Features

Antenna Termination	MHF, MHF1, U.FL, UMCC
---------------------	-----------------------

Configuration Features

Antenna Style	Whip
Mounting Location	External
Antenna Type	Whip
Band Type	Single Band
Port Configuration	Single Port

Electrical Characteristics

VSWR (Max)	<1.9:1
Impedance	50 Ω

Signal Characteristics

Gain (Max)	1.6 dB
Frequency Band	2400 – 2485 MHz
Nominal Frequency Range	2400 – 2500
Peak Gain	0 < 3 dBi

Body Features

Product Weight	17.49 g[.61693 oz]
----------------	--------------------



Mechanical Attachment

Polarization	Linear
Mounting Type	Panel

Dimensions

Cable Length	.21 m[.71 ft]
Product Width	14.5 mm[.57 in]
Product Length	105 mm[4.13 in]
Product Height	0 mm[0 in]

Operation/Application

Antenna Environment	Outdoor
Directionality	Omnidirectional

Industry Standards

Wireless Application	Bluetooth, ISM, Zigbee
Primary Application	Bluetooth, ISM, Zigbee

Product Compliance

[For compliance documentation, visit the product page on TE.com>](#)

EU RoHS Directive 2011/65/EU	Compliant
EU ELV Directive 2000/53/EC	Not Yet Reviewed
China RoHS 2 Directive MIIT Order No 32, 2016	No Restricted Materials Above Threshold
EU REACH Regulation (EC) No. 1907/2006	Current ECHA Candidate List: JUNE 2023 (235) Candidate List Declared Against: JUNE 2023 (235) Does not contain REACH SVHC
Halogen Content	Low Halogen - Br, Cl, F, I < 900 ppm per homogenous material. Also BFR/CFR/PVC Free
Solder Process Capability	Not reviewed for solder process capability

Product Compliance Disclaimer

This information is provided based on reasonable inquiry of our suppliers and represents our current actual knowledge based on the information they provided. This information is subject to change. The part numbers that TE has identified as EU RoHS compliant have a maximum concentration of 0.1% by weight in homogenous materials for lead, hexavalent chromium, mercury, PBB, PBDE, DBP, BBP, DEHP, DIBP, and 0.01% for cadmium, or qualify for an exemption to these limits as defined in the Annexes of Directive 2011/65/EU (RoHS2). Finished electrical and electronic equipment products will be CE marked as required by Directive 2011/65/EU. Components may not be CE marked. Additionally, the part numbers that TE has identified as EU ELV compliant have a maximum concentration of 0.1% by weight in homogenous materials for lead, hexavalent chromium, and mercury, and 0.01% for cadmium, or qualify for an exemption to these limits

as defined in the Annexes of Directive 2000/53/EC (ELV). Regarding the REACH Regulations, TE's information on SVHC in articles for this part number is still based on the European Chemical Agency (ECHA) 'Guidance on requirements for substances in articles' (Version: 2, April 2011), applying the 0.1% weight on weight concentration threshold at the finished product level. TE is aware of the European Court of Justice ruling of September 10th, 2015 also known as O5A (Once An Article Always An Article) stating that, in case of 'complex object', the threshold for a SVHC must be applied to both the product as a whole and simultaneously to each of the articles forming part of its composition. TE has evaluated this ruling based on the new ECHA "Guidance on requirements for substances in articles" (June 2017, version 4.0) and will be updating its statements accordingly.

Compatible Parts



TE Part # CONMHF1-SMD-G-T
U.FL/MHF1 Jack 50 Ohm PCB Surface Mount



TE Part # CONMHF1-SMD-T
U.FL/MHF1 Jack 50 Ohm PCB Surface Mount

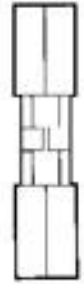


TE Part # CONUFL001-SMD
Conn UFL MHF Straight PCB Mount Jack




TE Part # CONUFL001-SMD-T
U.FL/MHF1 Jack 50 Ohm PCB Surface Mount

Customers Also Bought



TE Part #2-321801-3
SOLIS BUTT 22-16 COMM 22-18MIL



TE Part #34151
PG R 22-16 COMM 22-18 MIL 5/16



TE Part #2132230-4
EP2.5 Shrouded HDR ASSY 4P VER



TE Part #53644-2
TERMINAL,TERMI-FOIL 12-10



TE Part #2-604771-0
CABLE TIE, BLACK, 4" (1000)



TE Part #2-604771-9
CABLE TIE, NATURAL, 4" (1000)



TE Part #2132230-6
EP2.5 Shrouded HDR ASSY 6P VER



TE Part #1-2176250-3
TJT 500W 100R 5%



TE Part #L9000100-01
Antenna 1/2 Wave Whip 2.4GHz RG174

Documents



Product Drawings

[Antenna 1/2 Wave Whip 2.4GHz 1.32 UFL](#)

English

Datasheets & Catalog Pages

[ANT-2.4-PW-QW-xxx](#)

English