



Relays, Contactors & Switches > Switches > Toggle Switches > Toggle Switch 1-Pole, Sealed, Lever, Toggle

Configuration (Pole-Throw): **Single Pole - Single Throw**

Bushing Thread Size: **M12 x .75**

Sealed Device: **Yes**

Contact Base Material: **Copper**

Switch Contact Plating Material: **Silver Tin Oxide**

[All Toggle Switch 1-Pole, Sealed, Lever, Toggle \(43\)](#)

Features

Product Type Features

Switch Connection Type	Quick Connect Terminal
Sealed Device	Yes
Toggle Style	Lever
Toggle Switch Type	Toggle
Toggle Actuation	Horizontal

Configuration Features

Configuration (Pole-Throw)	Single Pole - Single Throw
Operating Function	On On

Electrical Characteristics

Toggle Switch Voltage Rating	28 VDC
------------------------------	--------

Body Features

Actuator Finish	Thermoplastic
Bushing Thread Size	M12 x .75
Bushing Style	Threaded

Contact Features

Contact Base Material	Copper
Switch Contact Plating Material	Silver Tin Oxide
Toggle Switch Contact Current Rating	15 A



Termination Features

Termination Type	.25 x .032 Quick Connect Terminals
------------------	------------------------------------

Mechanical Attachment

Toggle Switch Mounting Type	Through Hole
-----------------------------	--------------

Housing Features

Process Sealed	Yes
----------------	-----

Operation/Application

Opposite Keyway Toggle Position	2-4
Center Toggle Position	None
Keyway Toggle Actuation Position	1-2

Industry Standards

IP Rating	IP6K5
-----------	-------

Product Compliance

[For compliance documentation, visit the product page on TE.com>](#)

EU RoHS Directive 2011/65/EU	Compliant with Exemptions
EU ELV Directive 2000/53/EC	Compliant with Exemptions
China RoHS 2 Directive MIIT Order No 32, 2016	Restricted Materials Above Threshold
EU REACH Regulation (EC) No. 1907/2006	Current ECHA Candidate List: JUNE 2023 (235) Candidate List Declared Against: JAN 2021 (211) SVHC > Threshold: Pb (3.5% in Component part) Article Safe Usage Statements: Do not eat, drink or smoke when using this product. Wash thoroughly after handling. Recycle if possible and dispose of the article by following all applicable governmental regulations relevant to your geographic location.
Halogen Content	Not Yet Reviewed for halogen content
Solder Process Capability	Not reviewed for solder process capability

Product Compliance Disclaimer

This information is provided based on reasonable inquiry of our suppliers and represents our current actual knowledge based on the information they provided. This information is subject to change. The part numbers that TE has identified as EU RoHS compliant have a maximum concentration of 0.1% by weight in homogenous materials for lead, hexavalent chromium, mercury, PBB, PBDE, DBP, BBP, DEHP, DIBP, and 0.01% for cadmium, or qualify for an exemption to these limits as defined in the Annexes of Directive 2011/65/EU (RoHS2). Finished electrical and electronic equipment products will be CE marked as required by Directive 2011/65/EU. Components may not be CE marked. Additionally, the part numbers that TE has identified as EU ELV compliant have a maximum concentration of 0.1% by weight in homogenous materials for lead, hexavalent chromium, and mercury, and 0.01% for cadmium, or qualify for an exemption to these limits as defined in the Annexes of Directive 2000/53/EC (ELV). Regarding the REACH Regulation, the information TE provides on SVHC in articles for this part number is based on the latest European Chemicals Agency (ECHA) 'Guidance on

requirements for substances in articles' posted at this URL: <https://echa.europa.eu/guidance-documents/guidance-on-reach>

Compatible Parts



TE Part # CAT-AL8-KSTS072
Toggle Switch 2-Pole, Sealed, Lever, Toggle

Also in the Series | KISSLING Series 07



Other Automotive Connector Accessories(1)



Switch Seals & Accessories(7)

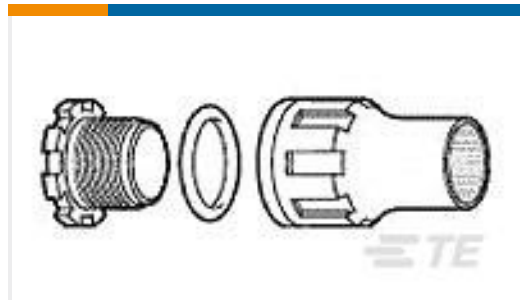


Toggle Switches(97)

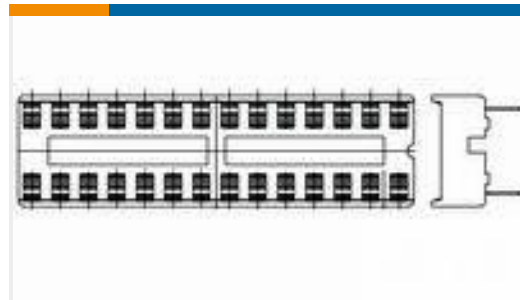
Customers Also Bought



TE Part #1099510001
TMS-SCE-1K-3/16-2.0-9



TE Part #967279-001
CES-2



TE Part #1-2199298-1
6P,DIP SKT,300 CL,LDR,PB FREE



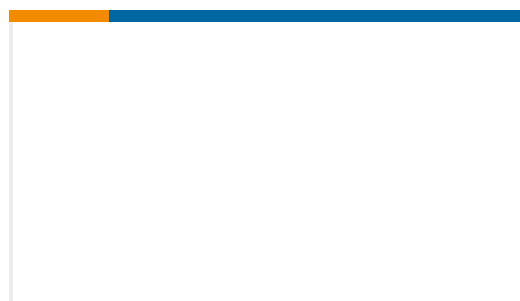
TE Part #1546310-7
7P .563" DR BARRIER STRIP



TE Part #2-33463-4
TERMINAL, SOLIS R 8 3/8



TE Part #CB5018-000
BSTS/BSTS-FR heat shrink tubing



TE Part #1618089-2
470DC-TDX=RELAY, DC UNDERVOLTAGE

Documents

[Product Drawings](#)
[Toggle Switch 07-1-2-13 910](#)



English

[Toggle Switch 07-1-2-13 910](#)

German

CAD Files

[3D PDF](#)

3D

Customer View Model

[ENG_CVM_CVM_07-1-2-13-910_A.2d_dxf.zip](#)

English

Customer View Model

[ENG_CVM_CVM_07-1-2-13-910_A.3d_igs.zip](#)

English

Customer View Model

[ENG_CVM_CVM_07-1-2-13-910_A.3d_stp.zip](#)

English

By downloading the CAD file I accept and agree to the [Terms and Conditions](#) of use.

Datasheets & Catalog Pages

[KISSLING TOGGLE SWITCH Series 07](#)

English