

HUM-A-900-PRO-CAS ✓ ACTIVE

TE Internal #: HUM-A-900-PRO-CAS

TE Internal Description: Module HUM-PRO-A 900MHz FHSS FM

XCVR FCC

[View on TE.com >](#)



Product Compliance

[For compliance documentation, visit the product page on TE.com>](#)

EU RoHS Directive 2011/65/EU	Compliant with Exemptions
EU ELV Directive 2000/53/EC	Not Yet Reviewed
China RoHS 2 Directive MIIT Order No 32, 2016	Restricted Materials Above Threshold
EU REACH Regulation (EC) No. 1907/2006	Current ECHA Candidate List: JUNE 2023 (235) Not Yet Reviewed
Halogen Content	Not Yet Reviewed for halogen content
Solder Process Capability	Not reviewed for solder process capability

Product Compliance Disclaimer

This information is provided based on reasonable inquiry of our suppliers and represents our current actual knowledge based on the information they provided. This information is subject to change. The part numbers that TE has identified as EU RoHS compliant have a maximum concentration of 0.1% by weight in homogenous materials for lead, hexavalent chromium, mercury, PBB, PBDE, DBP, BBP, DEHP, DIBP, and 0.01% for cadmium, or qualify for an exemption to these limits as defined in the Annexes of Directive 2011/65/EU (RoHS2). Finished electrical and electronic equipment products will be CE marked as required by Directive 2011/65/EU. Components may not be CE marked. Additionally, the part numbers that TE has identified as EU ELV compliant have a maximum concentration of 0.1% by weight in homogenous materials for lead, hexavalent chromium, and mercury, and 0.01% for cadmium, or qualify for an exemption to these limits as defined in the Annexes of Directive 2000/53/EC (ELV). Regarding the REACH Regulations, TE's information on SVHC in articles for this part number is still based on the European Chemical Agency (ECHA) 'Guidance on requirements for substances in articles' (Version: 2, April 2011), applying the 0.1% weight on weight concentration threshold at the finished product level. TE is aware of the European Court of Justice ruling of September 10th, 2015 also known as O5A (Once An Article Always An Article) stating that, in case of 'complex object', the threshold for a SVHC must be applied to both the product as a whole and simultaneously to each of the articles forming part of its composition. TE has evaluated this ruling based on the new ECHA "Guidance on requirements for substances in articles" (June 2017, version 4.0) and will be updating its statements accordingly.

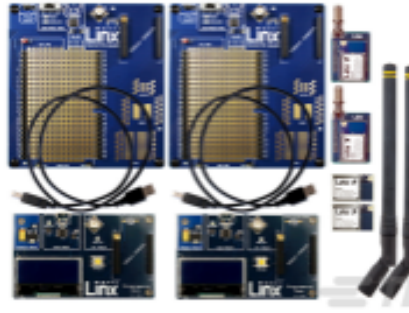
Compatible Parts



TE Part # EVM-A-900-PRO-CAS
Eval-Module HUM-PRO-A CAS FHSS XCVR CAS



TE Part # MDEV-900-PRC
Dev-Kit HUM-PRC 900MHz FHSS Development




TE Part # MDEV-A-900-PRO
Dev-Kit HUM-PRO-A 900MHz Development



TE Part # MDEV-DEMO-RC-A
Dev-Kit HUM Remote Control Eval Side-A



TE Part # MDEV-DEMO-RC-B
Dev-Kit HUM Remote Control Eval Side-B



TE Part # MDEV-PGDOCK
Dev-Kit HUM PGDOCK Programming Dock



TE Part # MDEV-PROTO
Dev-Kit HUM PROTO Prototype Board

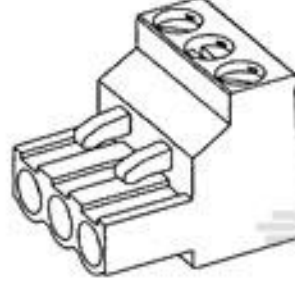


TE Part # OTX-900-HH-LR8-PRC
Remote HUM-PRC 900MHz FHSS 8Btn XCVR FCC

Customers Also Bought



TE Part #796636-4
4POS 5.08MM CE VRT HDR, TRM BLK



TE Part #796634-4
4 POS 5.08MM R/A PLUG, TRM BLK



TE Part #5-103639-1
02 MTE HDR SRST LATCH .100CL



TE Part #796638-2
2POS 5.08MM CE R/A HDR, TRM BLK



TE Part #796638-4
4POS 5.08MM CE R/A HDR, TRM BLK



TE Part #5645235-4
CONN SEC II 18 POS 100C/L



TE Part #350180
TEST PROBE ASSEMBLY, REC, PA66, BLACK



TE Part #2-1734531-2
RCPT, 2MM, 22P, R ANG MT, 8AU, 3.ST



TE Part #2411062-4
RF CA, UMCC GEN1, 1.13MM, L200MM PIGTAIL

Documents



[Datasheets & Catalog Pages](#)

[Amplified HumPRO TM Series 900MHz RF Transceiver Module](#)

English