

HPP845E131R4 ✓ ACTIVE

MEAS | MEAS HTU

TE Internal #: HPP845E131R4

TE Internal Description: HTU21DF RH/T SENSOR IC B400

HTU21D Digital High Accuracy RH/T Sensor

[View on TE.com >](#)



Sensors > Humidity Sensors > Humidity Sensor Components > HTU21D Digital High Accuracy RH/T Sensor



Humidity Sensor Component Product Type: RHT

Supply Voltage (Peak): 3.8 V

Current Consumption: .014 mA

Humidity Operating Range: 0 – 100 %RH

Operating Temperature Range: -40 – 125 °C [-40 – 257 °F]

[All HTU21D Digital High Accuracy RH/T Sensor \(5\)](#)

Features

Product Type Features

Humidity Sensor Component Product Type	RHT
Humidity Sensor Component Sensor Type	Digital

Electrical Characteristics

Supply Voltage (Peak)	3.8 V
Current Consumption	.014 mA

Usage Conditions

Humidity Operating Range	0 – 100 %RH
Operating Temperature Range	-40 – 125 °C [-40 – 257 °F]

Product Compliance

[For compliance documentation, visit the product page on TE.com>](#)

EU RoHS Directive 2011/65/EU	Compliant
EU ELV Directive 2000/53/EC	Compliant
China RoHS 2 Directive MIIT Order No 32, 2016	No Restricted Materials Above Threshold
EU REACH Regulation (EC) No. 1907/2006	Current ECHA Candidate List: JAN 2023 (233) Candidate List Declared Against: JUNE 2022 (224)

Does not contain REACH SVHC

Halogen Content

Low Bromine/Chlorine - Br and Cl < 900 ppm per homogenous material. Also BFR /CFR/PVC Free

Solder Process Capability

Not reviewed for solder process capability

Product Compliance Disclaimer

This information is provided based on reasonable inquiry of our suppliers and represents our current actual knowledge based on the information they provided. This information is subject to change. The part numbers that TE has identified as EU RoHS compliant have a maximum concentration of 0.1% by weight in homogenous materials for lead, hexavalent chromium, mercury, PBB, PBDE, DBP, BBP, DEHP, DIBP, and 0.01% for cadmium, or qualify for an exemption to these limits as defined in the Annexes of Directive 2011/65/EU (RoHS2). Finished electrical and electronic equipment products will be CE marked as required by Directive 2011/65/EU. Components may not be CE marked. Additionally, the part numbers that TE has identified as EU ELV compliant have a maximum concentration of 0.1% by weight in homogenous materials for lead, hexavalent chromium, and mercury, and 0.01% for cadmium, or qualify for an exemption to these limits as defined in the Annexes of Directive 2000/53/EC (ELV). Regarding the REACH Regulation, the information TE provides on SVHC in articles for this part number is based on the latest European Chemicals Agency (ECHA) 'Guidance on requirements for substances in articles' posted at this URL: <https://echa.europa.eu/guidance-documents/guidance-on-reach>

Compatible Parts




TE Part # CAT-HSC0004
HTU21D Digital High Accuracy RH/T Sensor




TE Part # HPP845E132R4
I.C 21PF RH/T PWM B400


Also in the Series | MEAS HTU



Humidity Sensor Assemblies(4)

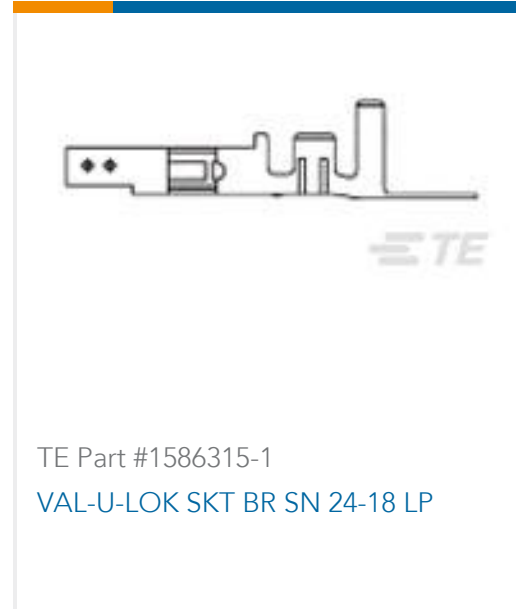
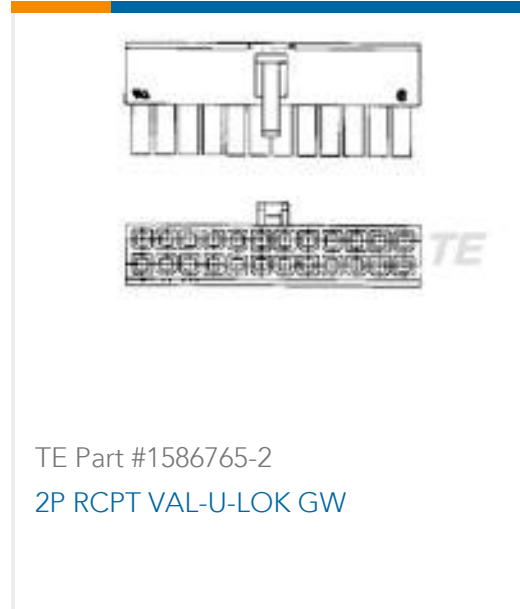
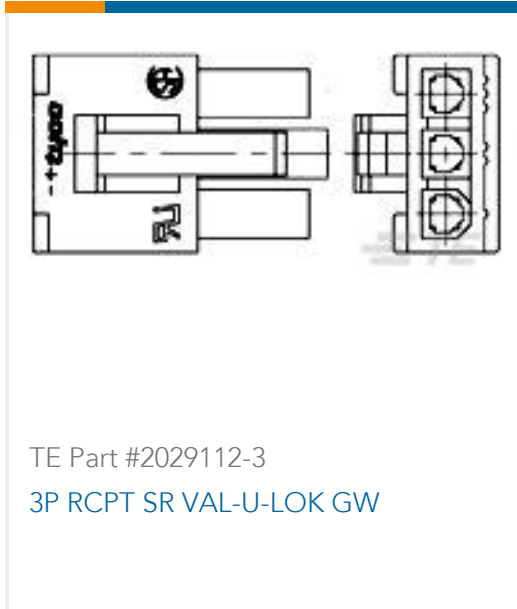
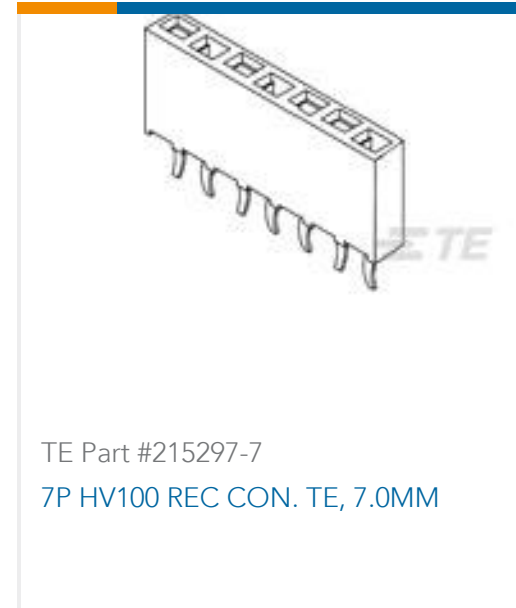


Humidity Sensor Components(22)



Sensor Development Boards and Evaluation Kits(3)

Customers Also Bought



Documents

CAD Files

[3D PDF](#)

[3D](#)

[Customer View Model](#)

[ENG_CVM_CVM_HPP845E131R4_C.2d_dxf.zip](#)

English

[Customer View Model](#)

[ENG_CVM_CVM_HPP845E131R4_C.3d_igs.zip](#)

English

[Customer View Model](#)

[ENG_CVM_CVM_HPP845E131R4_C.3d_stp.zip](#)

English

By downloading the CAD file I accept and agree to the [Terms and Conditions](#) of use.

Datasheets & Catalog Pages

[HTU21D](#)

English

[HTU21A\(F\) data sheet](#)

English