

HPP816E056 ✓ ACTIVE

MEAS | MEAS HTD

TE Internal #: HPP816E056

TE Internal Description: TRICAN 24V HTD2800P1B11C6STD

Digital RH Temperature Pressure Sensor

[View on TE.com >](#)



Sensors > Humidity Sensors > Humidity Sensor Assemblies > Digital RH Temperature Pressure Sensor



Humidity Sensor Assembly Product Type: RHTP

Supply Voltage (Peak): 32 VDC

Operating Temperature Range: -40 – 105 °C [-40 – 221 °F]

Humidity Measuring Range: 0 – 100 %RH

Humidity Sensor Assembly Accuracy: ±3 %RH

[All Digital RH Temperature Pressure Sensor \(5\)](#)

Features

Product Type Features

Humidity Sensor Assembly Product Type	RHTP
Humidity Sensor Assembly Sensor Type	Digital

Electrical Characteristics

Supply Voltage (Peak)	32 VDC
Current Consumption	25 mA

Signal Characteristics

Transmit Rate	100 msec
Baud Rate	250 Kb/s

Usage Conditions

Operating Temperature Range	-40 – 105 °C [-40 – 221 °F]
Humidity Measuring Range	0 – 100 %RH
Humidity Sensor Assembly Accuracy	±3 %RH

Operation/Application

Pressure (Max)	130 kPa
----------------	---------

Other

Response Time	5 seconds
---------------	-----------



Product Compliance

[For compliance documentation, visit the product page on TE.com>](#)

EU RoHS Directive 2011/65/EU	Compliant with Exemptions
EU ELV Directive 2000/53/EC	Not Yet Reviewed
China RoHS 2 Directive MIIT Order No 32, 2016	Restricted Materials Above Threshold
EU REACH Regulation (EC) No. 1907/2006	<p>Current ECHA Candidate List: JUNE 2023 (235)</p> <p>Candidate List Declared Against: JUL 2021 (219)</p> <p>SVHC > Threshold: Pb (85% in Solder)</p> <p>Article Safe Usage Statements: Do not eat, drink or smoke when using this product. Wash thoroughly after handling. Recycle if possible and dispose of the article by following all applicable governmental regulations relevant to your geographic location.</p>
Halogen Content	Not Yet Reviewed for halogen content
Solder Process Capability	Not reviewed for solder process capability

Product Compliance Disclaimer

This information is provided based on reasonable inquiry of our suppliers and represents our current actual knowledge based on the information they provided. This information is subject to change. The part numbers that TE has identified as EU RoHS compliant have a maximum concentration of 0.1% by weight in homogenous materials for lead, hexavalent chromium, mercury, PBB, PBDE, DBP, BBP, DEHP, DIBP, and 0.01% for cadmium, or qualify for an exemption to these limits as defined in the Annexes of Directive 2011/65/EU (RoHS2). Finished electrical and electronic equipment products will be CE marked as required by Directive 2011/65/EU. Components may not be CE marked. Additionally, the part numbers that TE has identified as EU ELV compliant have a maximum concentration of 0.1% by weight in homogenous materials for lead, hexavalent chromium, and mercury, and 0.01% for cadmium, or qualify for an exemption to these limits as defined in the Annexes of Directive 2000/53/EC (ELV). Regarding the REACH Regulation, the information TE provides on SVHC in articles for this part number is based on the latest European Chemicals Agency (ECHA) 'Guidance on requirements for substances in articles' posted at this URL: <https://echa.europa.eu/guidance-documents/guidance-on-reach>

Compatible Parts

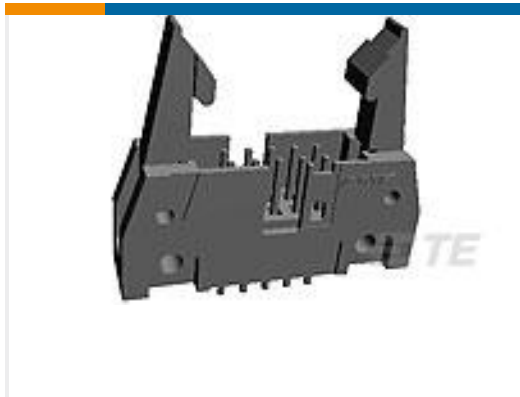


Also in the Series | **MEAS HTD**



Humidity Sensor Assemblies(3)

Customers Also Bought



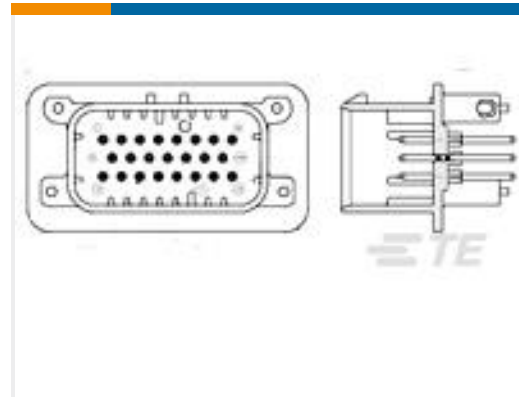
TE Part #1-5499206-2
A/L UNIV HDR 64P VERT LG LAT



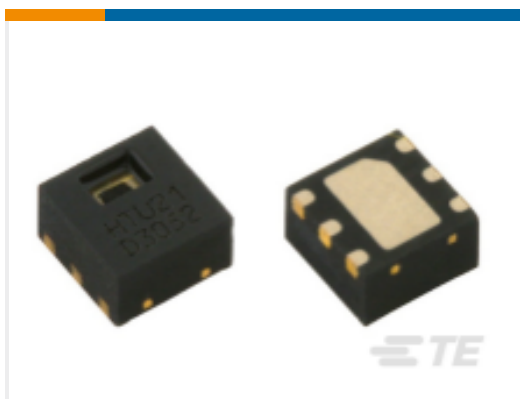
TE Part #HD34-24-33SN-059
REC,33P,AL,N, CBL CLMP BT, DRAIN,
20,S,MC



TE Part #DTM04-2P-E007
REC, 2P, GRY, N, XCAP



TE Part #1-776228-5
23POS,PIN DIA 1.3,HDR ASSY,
180DEG,COD 5



TE Part #HPP845E031R5
I.C 21D RH/T B5000



TE Part #102308-000
2020D0309-0



TE Part #2071507-1
OJT-SS-112HM,00000



TE Part #254588-E
SMCQ 20 M AB VV 8-13 CL * H007 137
E005



TE Part #254589-E
SMCQ 32 M AB VV 8-13 CL * H007 137
E005



TE Part #DT04-12PA-KIT
DT04-12PA AND WEG ONLY

Documents

CAD Files

[3D PDF](#)

[3D](#)

Customer View Model

[ENG_CVM_CVM_HPP816E056_A.2d_dxf.zip](#)

English

Customer View Model

[ENG_CVM_CVM_HPP816E056_A.3d_igs.zip](#)



English

Customer View Model

[ENG_CVM_CVM_HPP816E056_A.3d_stp.zip](#)

English

By downloading the CAD file I accept and agree to the [Terms and Conditions](#) of use.

Datasheets & Catalog Pages

[Data sheet TRICAN HTD2800Px11C6V2](#)

English