



Product Compliance

[For compliance documentation, visit the product page on TE.com>](#)

EU RoHS Directive 2011/65/EU	Compliant with Exemptions
EU ELV Directive 2000/53/EC	Not Yet Reviewed
China RoHS 2 Directive MIIT Order No 32, 2016	Restricted Materials Above Threshold
EU REACH Regulation (EC) No. 1907/2006	Current ECHA Candidate List: JUNE 2023 (235) Candidate List Declared Against: JAN 2022 (223) Does not contain REACH SVHC
Halogen Content	Not Yet Reviewed for halogen content
Solder Process Capability	Not reviewed for solder process capability

Product Compliance Disclaimer

This information is provided based on reasonable inquiry of our suppliers and represents our current actual knowledge based on the information they provided. This information is subject to change. The part numbers that TE has identified as EU RoHS compliant have a maximum concentration of 0.1% by weight in homogenous materials for lead, hexavalent chromium, mercury, PBB, PBDE, DBP, BBP, DEHP, DIBP, and 0.01% for cadmium, or qualify for an exemption to these limits as defined in the Annexes of Directive 2011/65/EU (RoHS2). Finished electrical and electronic equipment products will be CE marked as required by Directive 2011/65/EU. Components may not be CE marked. Additionally, the part numbers that TE has identified as EU ELV compliant have a maximum concentration of 0.1% by weight in homogenous materials for lead, hexavalent chromium, and mercury, and 0.01% for cadmium, or qualify for an exemption to these limits as defined in the Annexes of Directive 2000/53/EC (ELV). Regarding the REACH Regulation, the information TE provides on SVHC in articles for this part number is based on the latest European Chemicals Agency (ECHA) 'Guidance on requirements for substances in articles' posted at this URL: <https://echa.europa.eu/guidance-documents/guidance-on-reach>

Customers Also Bought



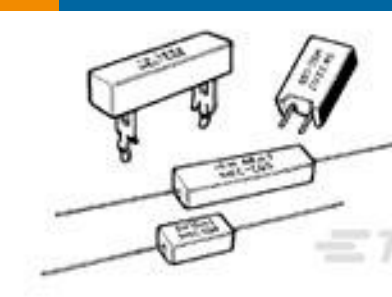
TE Part #776262-2
14POS,PIN DIA 1.3,HDR ASSY,
180DEG,COD 2



TE Part #487545-3
006 HOUSING FFC RCPT 050CL SR



TE Part #8-188275-6
MICRO-MATCH SMD FTE



TE Part #1623785-8
SQM10 470R 5% (WIRE)



TE Part #5530841-5
CONN SEC II 25 POS 100C/L



TE Part #103309-5
020 LOPRO HDR SP 30DP



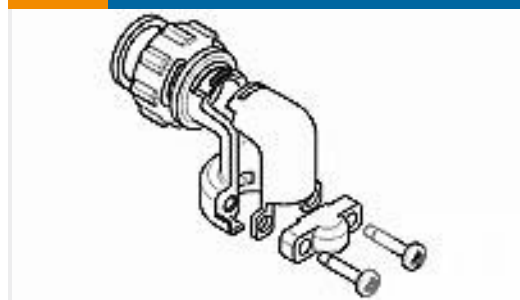
TE Part #10213286-00
TSD305-1SL10 Digital Thermopile
Sensor



TE Part #2351449-6
UMINSW RLEV0.88N 3A/1.5A AC
NO PCB



TE Part #5677582005
RNF-3000-9/3-0-STK



TE Part #1546349-2
R/A CABLE CLAMP KIT, SZ 17, CPC