



MEAS

TE Internal #: GAG10K3976B1

TE Internal Description: RSEN-GLASS BEAD

[View on TE.com >](#)

Sensors > Temperature Sensors > NTC Thermistors Sensors & Probes > NTC Thermistors



Discrete NTC Sensor Type: **NTC Thermistor**

Wire Connection: **Open End**

Discrete NTC Wire Length: **65 mm**

Resistance (at 25°C): **10 kΩ**

Tolerance Resistance: **± 1 %**

**Features**

**Product Type Features**

Discrete NTC Sensor Type	NTC Thermistor
Tolerance β-Value	2 %

**Body Features**

Wire Connection	Open End
-----------------	----------

**Dimensions**

Discrete NTC Wire Length	65 mm
--------------------------	-------

**Usage Conditions**

Resistance (at 25°C)	10 kΩ
Tolerance Resistance	± 1 %
Discrete NTC Ambient Temperature Range	-40 – 250 °C
Temperature Accuracy	± .22 @ 25 °C

**Operation/Application**

Wire/Cladding Connection	Dumet Ni/Fe Copper Clad, .2mm OD
--------------------------	----------------------------------

**Packaging Features**

Discrete NTC Package	Glass Radial Discrete
----------------------	-----------------------

**Product Compliance**

[For compliance documentation, visit the product page on TE.com>](#)

EU RoHS Directive 2011/65/EU	Compliant with Exemptions
EU ELV Directive 2000/53/EC	Not Yet Reviewed
China RoHS 2 Directive MIIT Order No 32, 2016	Restricted Materials Above Threshold
EU REACH Regulation (EC) No. 1907/2006	Current ECHA Candidate List: JUNE 2023 (235) Candidate List Declared Against: JAN 2023 (233) Does not contain REACH SVHC
Halogen Content	Low Halogen - Br, Cl, F, I < 900 ppm per homogenous material. Also BFR/CFR/PVC Free
Solder Process Capability	Not reviewed for solder process capability

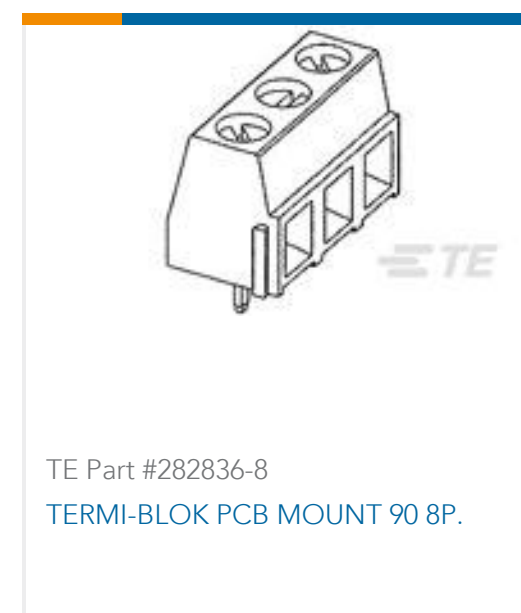
Product Compliance Disclaimer

This information is provided based on reasonable inquiry of our suppliers and represents our current actual knowledge based on the information they provided. This information is subject to change. The part numbers that TE has identified as EU RoHS compliant have a maximum concentration of 0.1% by weight in homogenous materials for lead, hexavalent chromium, mercury, PBB, PBDE, DBP, BBP, DEHP, DIBP, and 0.01% for cadmium, or qualify for an exemption to these limits as defined in the Annexes of Directive 2011/65/EU (RoHS2). Finished electrical and electronic equipment products will be CE marked as required by Directive 2011/65/EU. Components may not be CE marked. Additionally, the part numbers that TE has identified as EU ELV compliant have a maximum concentration of 0.1% by weight in homogenous materials for lead, hexavalent chromium, and mercury, and 0.01% for cadmium, or qualify for an exemption to these limits as defined in the Annexes of Directive 2000/53/EC (ELV). Regarding the REACH Regulation, the information TE provides on SVHC in articles for this part number is based on the latest European Chemicals Agency (ECHA) 'Guidance on requirements for substances in articles' posted at this URL: <https://echa.europa.eu/guidance-documents/guidance-on-reach>

## Compatible Parts



## Customers Also Bought





## Documents

### Datasheets & Catalog Pages

[Radial\\_Glass\\_SeriesB\\_G10K3976](#)

English