



MEAS

TE Internal #: GA5K3A1A

TE Internal Description: DISCRETE 5K OHMS,+/-0.1C FROM 0C TO 70C

DISCRETE NTC SERIES I

[View on TE.com >](#)

Sensors > Temperature Sensors > NTC Thermistors Sensors & Probes > NTC Thermistors > DISCRETE NTC SERIES I



Discrete NTC Sensor Type: **Epoxy Coated NTC Thermistor**

Wire Connection: **Open End**

Discrete NTC Wire Length: **76 mm**

Resistance (at 25°C): **5 kΩ**

Beta 25/85 Value: **3976 K**

[All DISCRETE NTC SERIES I \(26\)](#)

Features

Product Type Features

Discrete NTC Sensor Type	Epoxy Coated NTC Thermistor
Tolerance β-Value	±.5 %

Signal Characteristics

Beta 25/85 Value	3976 K
------------------	--------

Body Features

Wire Connection	Open End
-----------------	----------

Dimensions

Discrete NTC Wire Length	76 mm
--------------------------	-------

Usage Conditions

Resistance (at 25°C)	5 kΩ
Discrete NTC Ambient Temperature Range	-40 – 125 °C
Temperature Accuracy	±.1 from 0 – 70 °C
Maximum Temperature	125 °C[257 °F]

Operation/Application

Wire/Cladding Connection	32 AWG (.2mm) Alloy 180 Tin Plated
--------------------------	------------------------------------

Packaging Features

Discrete NTC Package

Epoxy Radial Discrete

Product Compliance

For compliance documentation, visit the product page on TE.com>

EU RoHS Directive 2011/65/EU

Compliant

EU ELV Directive 2000/53/EC

Compliant

China RoHS 2 Directive MIIT Order No 32, 2016

No Restricted Materials Above Threshold

EU REACH Regulation (EC) No. 1907/2006

Current ECHA Candidate List: JUNE 2023 (235)
 Candidate List Declared Against: JUNE 2023 (235)
 Does not contain REACH SVHC

Halogen Content

Low Halogen - Br, Cl, F, I < 900 ppm per homogenous material. Also BFR/CFR/PVC Free

Solder Process Capability

Not reviewed for solder process capability

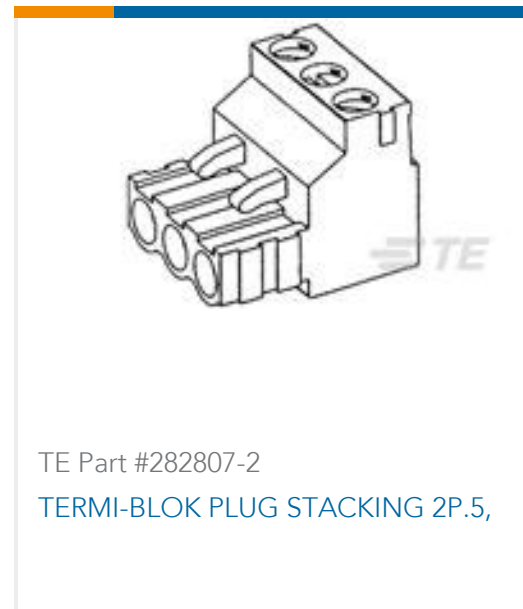
Product Compliance Disclaimer

This information is provided based on reasonable inquiry of our suppliers and represents our current actual knowledge based on the information they provided. This information is subject to change. The part numbers that TE has identified as EU RoHS compliant have a maximum concentration of 0.1% by weight in homogenous materials for lead, hexavalent chromium, mercury, PBB, PBDE, DBP, BBP, DEHP, DIBP, and 0.01% for cadmium, or qualify for an exemption to these limits as defined in the Annexes of Directive 2011/65/EU (RoHS2). Finished electrical and electronic equipment products will be CE marked as required by Directive 2011/65/EU. Components may not be CE marked. Additionally, the part numbers that TE has identified as EU ELV compliant have a maximum concentration of 0.1% by weight in homogenous materials for lead, hexavalent chromium, and mercury, and 0.01% for cadmium, or qualify for an exemption to these limits as defined in the Annexes of Directive 2000/53/EC (ELV). Regarding the REACH Regulation, the information TE provides on SVHC in articles for this part number is based on the latest European Chemicals Agency (ECHA) 'Guidance on requirements for substances in articles' posted at this URL: <https://echa.europa.eu/guidance-documents/guidance-on-reach>

Compatible Parts



Customers Also Bought



Documents

CAD Files

3D PDF

3D

Customer View Model

[ENG_CVM_CVM_GA5K3A1A_10.2d_dxf.zip](#)

English

Customer View Model

[ENG_CVM_CVM_GA5K3A1A_10.3d_igs.zip](#)

English

Customer View Model

[ENG_CVM_CVM_GA5K3A1A_10.3d_stp.zip](#)

English

By downloading the CAD file I accept and agree to the [Terms and Conditions](#) of use.

Datasheets & Catalog Pages

[Series_I_Thermistor_5K3A1](#)

English

[GA5K3A1 SERIES I THERMISTORS](#)

English

GA5K3A1A

DISCRETE 5K OHMS, +/-0.1C FROM 0C TO 70C

