



MEAS

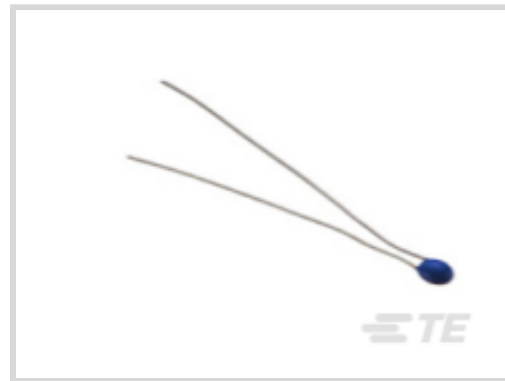
TE Internal #: GA50K6A1A

TE Internal Description: DISCRETE 50K OHMS,+/-0.1C FROM 0C TO 70C

DISCRETE NTC SERIES I

[View on TE.com >](#)

Sensors > Temperature Sensors > NTC Thermistors Sensors & Probes > NTC Thermistors > DISCRETE NTC SERIES I



Discrete NTC Sensor Type: **Epoxy Coated NTC Thermistor**

Wire Connection: **Open End**

Discrete NTC Wire Length: **76 mm**

Resistance (at 25°C): **50 kΩ**

β-Value(25/85): **4261 K**

[All DISCRETE NTC SERIES I \(26\)](#)

**Features**

**Product Type Features**

Discrete NTC Sensor Type	Epoxy Coated NTC Thermistor
Tolerance β-Value	±.5 %

**Electrical Characteristics**

β-Value(25/85)	4261 K
----------------	--------

**Body Features**

Wire Connection	Open End
-----------------	----------

**Dimensions**

Discrete NTC Wire Length	76 mm
--------------------------	-------

**Usage Conditions**

Resistance (at 25°C)	50 kΩ
Discrete NTC Ambient Temperature Range	-40 – 125 °C
Temperature Accuracy	±.1 from 0 – 70 °C
Maximum Temperature	125 °C[257 °F]

**Operation/Application**

Wire/Cladding Connection	32 AWG (.2mm) Alloy 180 Tin Plated
--------------------------	------------------------------------

## Packaging Features

Discrete NTC Package

Epoxy Radial Discrete

## Product Compliance

[For compliance documentation, visit the product page on TE.com>](#)

EU RoHS Directive 2011/65/EU

Compliant with Exemptions

EU ELV Directive 2000/53/EC

Compliant with Exemptions

China RoHS 2 Directive MIIT Order No 32, 2016

Restricted Materials Above Threshold

EU REACH Regulation (EC) No. 1907/2006

Current ECHA Candidate List: JUNE 2023 (235)

Candidate List Declared Against: JUNE 2023 (235)

Does not contain REACH SVHC

Halogen Content

Not Yet Reviewed for halogen content

Solder Process Capability

Not reviewed for solder process capability

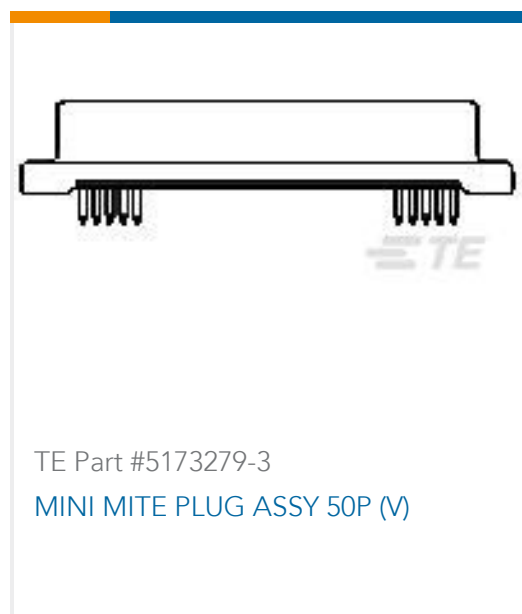
### Product Compliance Disclaimer

This information is provided based on reasonable inquiry of our suppliers and represents our current actual knowledge based on the information they provided. This information is subject to change. The part numbers that TE has identified as EU RoHS compliant have a maximum concentration of 0.1% by weight in homogenous materials for lead, hexavalent chromium, mercury, PBB, PBDE, DBP, BBP, DEHP, DIBP, and 0.01% for cadmium, or qualify for an exemption to these limits as defined in the Annexes of Directive 2011/65/EU (RoHS2). Finished electrical and electronic equipment products will be CE marked as required by Directive 2011/65/EU. Components may not be CE marked. Additionally, the part numbers that TE has identified as EU ELV compliant have a maximum concentration of 0.1% by weight in homogenous materials for lead, hexavalent chromium, and mercury, and 0.01% for cadmium, or qualify for an exemption to these limits as defined in the Annexes of Directive 2000/53/EC (ELV). Regarding the REACH Regulation, the information TE provides on SVHC in articles for this part number is based on the latest European Chemicals Agency (ECHA) 'Guidance on requirements for substances in articles' posted at this URL: <https://echa.europa.eu/guidance-documents/guidance-on-reach>

## Compatible Parts



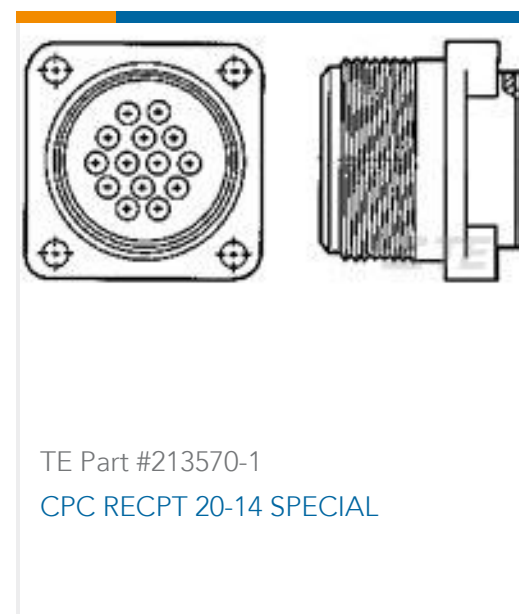
## Customers Also Bought



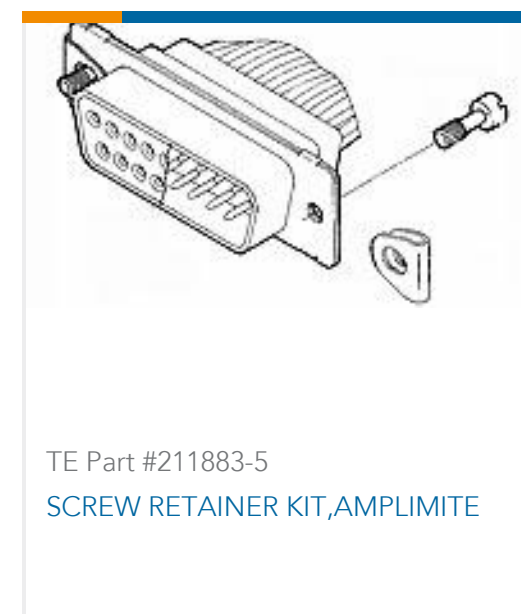
TE Part #5173279-3  
MINI MITE PLUG ASSY 50P (V)



TE Part #GA10K4A1A  
DISCRETE 10K OHMS, +/-0.1C FROM  
0C TO 70C



TE Part #213570-1  
CPC RECPT 20-14 SPECIAL



TE Part #211883-5  
SCREW RETAINER KIT,AMPLITE



TE Part #2-746610-1  
010 DIP PLUG 100CL TIN



TE Part #3-794629-8  
08P MICRO MNL ASSY,R/A,SMT,LF



TE Part #5-66461-9  
SKT,.062 DIA,.025 SQ POST,LP



TE Part #1-66473-7  
SKT,.062 DIA,.045 SQ POST,LP



TE Part #1-66473-8  
SKT,.062 DIA,.045 SQ POST,LP



TE Part #2311773-1  
AMPL PLUG, HD22, R/A, 62P,  
THREADED

## Documents

### CAD Files

#### 3D PDF

3D

#### Customer View Model

[ENG\\_CVM\\_CVM\\_GA50K6A1A\\_8.2d\\_dxf.zip](#)

English

#### Customer View Model

[ENG\\_CVM\\_CVM\\_GA50K6A1A\\_8.3d\\_igs.zip](#)

English

#### Customer View Model

[ENG\\_CVM\\_CVM\\_GA50K6A1A\\_8.3d\\_stp.zip](#)

English

By downloading the CAD file I accept and agree to the [Terms and Conditions](#) of use.

### Datasheets & Catalog Pages

[Series\\_I\\_Thermistor\\_50K6A1](#)

English

[GA50K6A1 SERIES I THERMISTORS](#)

English

