



MEAS

TE Internal #: GA10K3A1IB

TE Internal Description: DISCRETE 10K OHMS,+/-0.2C FROM 0C TO 70C

[View on TE.com >](#)

Sensors > Temperature Sensors > NTC Thermistors Sensors & Probes > NTC Thermistors



Discrete NTC Sensor Type: **Epoxy Coated NTC Thermistor**

Wire Connection: **Open End**

Discrete NTC Wire Length: **76 mm**

Resistance (at 25°C): **10 kΩ**

β-Value(25/85): **3976 K**

Features

Product Type Features

Discrete NTC Sensor Type	Epoxy Coated NTC Thermistor
Tolerance β-Value	±0.5 %

Electrical Characteristics

β-Value(25/85)	3976 K
----------------	--------

Body Features

Wire Connection	Open End
-----------------	----------

Dimensions

Discrete NTC Wire Length	76 mm
--------------------------	-------

Usage Conditions

Resistance (at 25°C)	10 kΩ
Discrete NTC Ambient Temperature Range	-40 – 125 °C
Temperature Accuracy	± .2 from 0 – 70 °C
Maximum Temperature	125 °C[257 °F]

Operation/Application

Wire/Cladding Connection	30 AWG Silver Plated Copper, White TFE Insulated .024" OD
--------------------------	---

Packaging Features

Discrete NTC Package	Epoxy Radial Discrete
----------------------	-----------------------



Product Compliance




[For compliance documentation, visit the product page on TE.com>](#)

EU RoHS Directive 2011/65/EU	Compliant
EU ELV Directive 2000/53/EC	Compliant
China RoHS 2 Directive MIIT Order No 32, 2016	No Restricted Materials Above Threshold
EU REACH Regulation (EC) No. 1907/2006	Current ECHA Candidate List: JUNE 2023 (235) Candidate List Declared Against: JUNE 2023 (235) Does not contain REACH SVHC
Halogen Content	Low Bromine/Chlorine - Br and Cl < 900 ppm per homogenous material. Also BFR /CFR/PVC Free
Solder Process Capability	Not reviewed for solder process capability

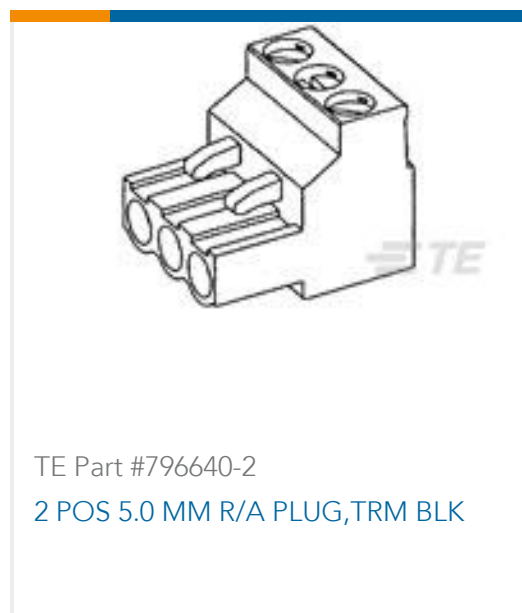
Product Compliance Disclaimer

This information is provided based on reasonable inquiry of our suppliers and represents our current actual knowledge based on the information they provided. This information is subject to change. The part numbers that TE has identified as EU RoHS compliant have a maximum concentration of 0.1% by weight in homogenous materials for lead, hexavalent chromium, mercury, PBB, PBDE, DBP, BBP, DEHP, DIBP, and 0.01% for cadmium, or qualify for an exemption to these limits as defined in the Annexes of Directive 2011/65/EU (RoHS2). Finished electrical and electronic equipment products will be CE marked as required by Directive 2011/65/EU. Components may not be CE marked. Additionally, the part numbers that TE has identified as EU ELV compliant have a maximum concentration of 0.1% by weight in homogenous materials for lead, hexavalent chromium, and mercury, and 0.01% for cadmium, or qualify for an exemption to these limits as defined in the Annexes of Directive 2000/53/EC (ELV). Regarding the REACH Regulation, the information TE provides on SVHC in articles for this part number is based on the latest European Chemicals Agency (ECHA) 'Guidance on requirements for substances in articles' posted at this URL: <https://echa.europa.eu/guidance-documents/guidance-on-reach>

Compatible Parts

 <p>TE Part # GA10K3A11A DISCRETE 10K OHMS, +/-0.1C FROM 0C TO 70C</p>	 <p>TE Part # CAT-NTC0064 Discrete NTC Thermistor Series II</p>	 <p>TE Part # GA10K3CG3 CHPG-NTC CHIP THERMISTORS</p>
---	--	--

Customers Also Bought



Documents

CAD Files

3D PDF

3D

Customer View Model

[ENG_CVM_CVM_GA10K3A1IB_8.2d_dxf.zip](#)

English

Customer View Model

[ENG_CVM_CVM_GA10K3A1IB_8.3d_igs.zip](#)

English

Customer View Model

[ENG_CVM_CVM_GA10K3A1IB_8.3d_stp.zip](#)

English

By downloading the CAD file I accept and agree to the [Terms and Conditions](#) of use.

Datasheets & Catalog Pages

[Series_II_Thermistor_10K3A1I](#)

English

[GA10K3A1i SERIES II THERMISTORS](#)

English

GA10K3A1IB

DISCRETE 10K OHMS, +/-0.2C FROM 0C TO 70C

