



Sensors > Temperature Sensors > Thermopile Infrared Sensors



Model Number: **TSD305-1C55**

Thermopile Infrared Sensor Type: **Digital Thermopile Component**

Thermopile Infrared Sensor Package: **TO-5**

Thermopile Infrared Sensor Wire Length: **13.5 mm [.53 in]**

Optics: **Flat Window**

Features

Product Type Features

Wire/Cladding Type	Metal Pin
Model Number	TSD305-1C55
Thermopile Infrared Sensor Type	Digital Thermopile Component
Filter Type	Long Wave Pass 5.5µm

Dimensions

Thermopile Infrared Sensor Wire Length	13.5 mm[.53 in]
Thermopile Infrared Sensor Diameter	9.1 mm[.36 in]
Thermopile Infrared Sensor Length	4.3 mm[.53 in]

Usage Conditions

Ambient Temperature Range	-20 – 85 °C[-4 – 185 °F]
Target T_Object Range	0 – 100 °C

Packaging Features

Thermopile Infrared Sensor Package	TO-5
------------------------------------	------

Other

Field of View X x Y	88 °
Field of View at FWHM	88 °
Optics	Flat Window

Product Compliance

[For compliance documentation, visit the product page on TE.com>](#)

EU RoHS Directive 2011/65/EU	Compliant
EU ELV Directive 2000/53/EC	Not Yet Reviewed
China RoHS 2 Directive MIIT Order No 32, 2016	No Restricted Materials Above Threshold
EU REACH Regulation (EC) No. 1907/2006	Current ECHA Candidate List: JUNE 2023 (235) Candidate List Declared Against: JUL 2021 (219) Does not contain REACH SVHC
Halogen Content	Not Yet Reviewed for halogen content
Solder Process Capability	Not reviewed for solder process capability

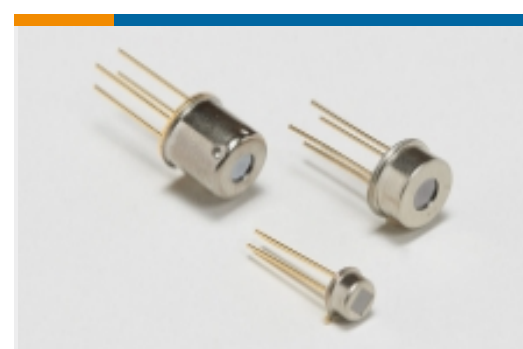
Product Compliance Disclaimer

This information is provided based on reasonable inquiry of our suppliers and represents our current actual knowledge based on the information they provided. This information is subject to change. The part numbers that TE has identified as EU RoHS compliant have a maximum concentration of 0.1% by weight in homogenous materials for lead, hexavalent chromium, mercury, PBB, PBDE, DBP, BBP, DEHP, DIBP, and 0.01% for cadmium, or qualify for an exemption to these limits as defined in the Annexes of Directive 2011/65/EU (RoHS2). Finished electrical and electronic equipment products will be CE marked as required by Directive 2011/65/EU. Components may not be CE marked. Additionally, the part numbers that TE has identified as EU ELV compliant have a maximum concentration of 0.1% by weight in homogenous materials for lead, hexavalent chromium, and mercury, and 0.01% for cadmium, or qualify for an exemption to these limits as defined in the Annexes of Directive 2000/53/EC (ELV). Regarding the REACH Regulation, the information TE provides on SVHC in articles for this part number is based on the latest European Chemicals Agency (ECHA) 'Guidance on requirements for substances in articles' posted at this URL: <https://echa.europa.eu/guidance-documents/guidance-on-reach>

Also in the Series | MEAS TS

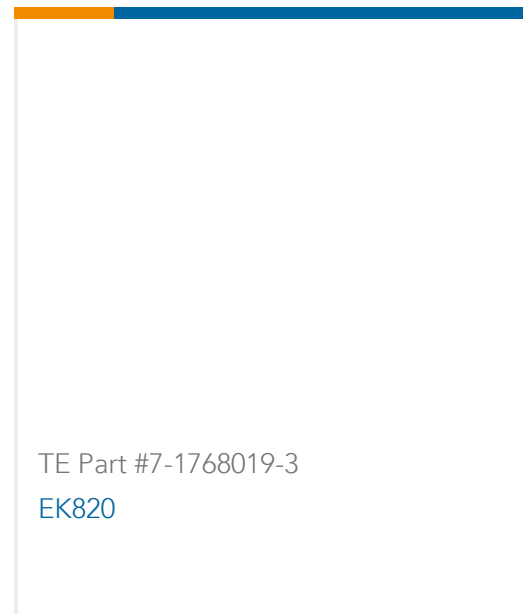
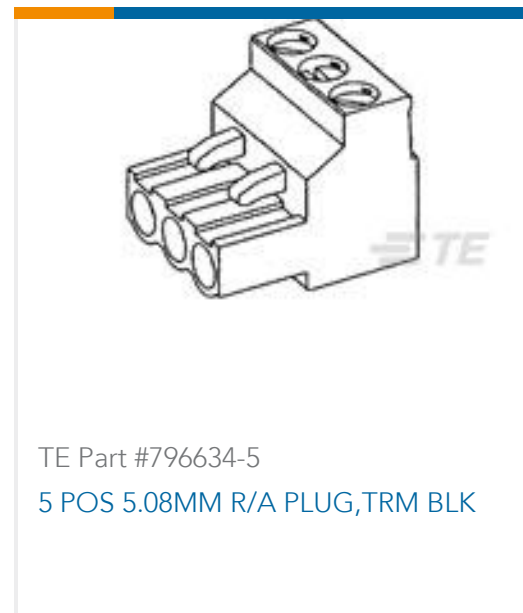


Sensor Development Boards and Evaluation Kits(2)



Thermopile Infrared Sensors(8)

Customers Also Bought



Documents

CAD Files

3D PDF

3D

Customer View Model

[ENG_CVM_CVM_G-TPMO-101_A.2d_dxf.zip](#)

English

Customer View Model

[ENG_CVM_CVM_G-TPMO-101_A.3d_igs.zip](#)

English

Customer View Model

[ENG_CVM_CVM_G-TPMO-101_A.3d_stp.zip](#)

English

By downloading the CAD file I accept and agree to the [Terms and Conditions](#) of use.

Datasheets & Catalog Pages

[TSD305 series](#)

English