



Sensors > Temperature Sensors > Thermopile Infrared Sensors



Model Number: **TS418-1N426**

Thermopile Infrared Sensor Type: **Thermopile NDIR Element**

Thermopile Infrared Sensor Package: **TO-18**

Thermopile Infrared Sensor Wire Length: **13.5 mm [ .53 in ]**

TP Voltage (T\_BB/T\_amb): **144 mV**

## Features

### Product Type Features

Wire/Cladding Type	Metal Pin
Model Number	TS418-1N426
Thermopile Infrared Sensor Type	Thermopile NDIR Element

### Electrical Characteristics

TP Voltage (T_BB/T_amb)	144 mV
-------------------------	--------

### Dimensions

Thermopile Infrared Sensor Wire Length	13.5 mm [.53 in]
Thermopile Infrared Sensor Diameter	5.4 mm [.21 in]
Thermopile Infrared Sensor Length	2.7 mm [.106 in]

### Usage Conditions

TCR (at T1/T2) for RTD	6178 ± 150 ppm/°K
Ambient Temperature Range	-20 – 85 °C [-4 – 185 °F]
T_BB/T_amb for TP Voltage	100/25 °C
TP Resistance (at T_ref)	180 ± 60 kΩ
Thermistor Type	Nickel-RTD
R_Thermistor (at T_ref)	1000 ± 4 kΩ
T_ref for R_Thermistor	0 °C
T1/T2 for TCR of RTD	0 – 100 °C

### Operation/Application

T_BB/T_amb Responsivity	+100 and +25 °C
Responsivity (T_BB/T_amb)	144
T_ref for TP Resistance	25 °C

### Packaging Features

Thermopile Infrared Sensor Package	TO-18
------------------------------------	-------

### Other

Field of View at FWHM	110 °
Optics	Flat Window

### Product Compliance

[For compliance documentation, visit the product page on TE.com>](#)

EU RoHS Directive 2011/65/EU	Compliant
EU ELV Directive 2000/53/EC	Out of Scope
China RoHS 2 Directive MIIT Order No 32, 2016	No Restricted Materials Above Threshold
EU REACH Regulation (EC) No. 1907/2006	Current ECHA Candidate List: JUNE 2023 (235) Candidate List Declared Against: JAN 2021 (211) Does not contain REACH SVHC
Halogen Content	Not Yet Reviewed for halogen content
Solder Process Capability	Not reviewed for solder process capability

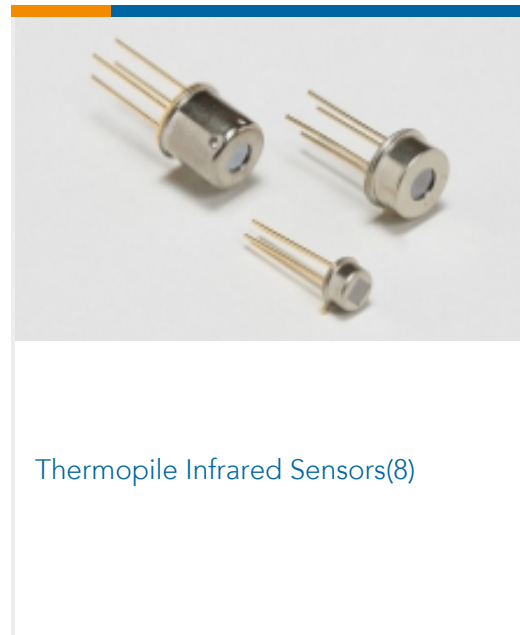
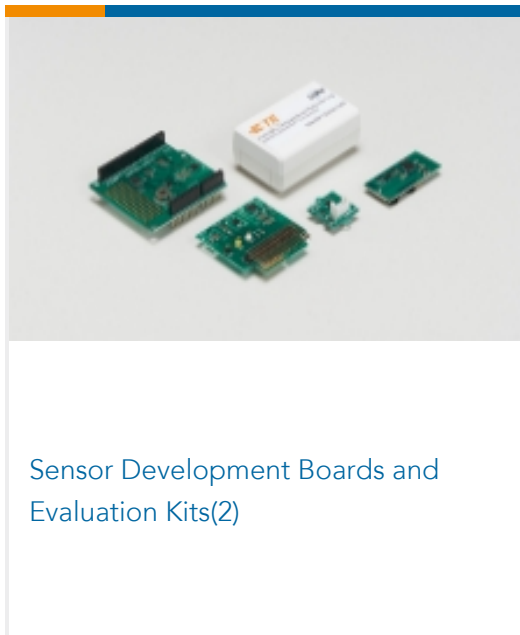
#### Product Compliance Disclaimer

This information is provided based on reasonable inquiry of our suppliers and represents our current actual knowledge based on the information they provided. This information is subject to change. The part numbers that TE has identified as EU RoHS compliant have a maximum concentration of 0.1% by weight in homogenous materials for lead, hexavalent chromium, mercury, PBB, PBDE, DBP, BBP, DEHP, DIBP, and 0.01% for cadmium, or qualify for an exemption to these limits as defined in the Annexes of Directive 2011/65/EU (RoHS2). Finished electrical and electronic equipment products will be CE marked as required by Directive 2011/65/EU. Components may not be CE marked. Additionally, the part numbers that TE has identified as EU ELV compliant have a maximum concentration of 0.1% by weight in homogenous materials for lead, hexavalent chromium, and mercury, and 0.01% for cadmium, or qualify for an exemption to these limits as defined in the Annexes of Directive 2000/53/EC (ELV). Regarding the REACH Regulation, the information TE provides on SVHC in articles for this part number is based on the latest European Chemicals Agency (ECHA) 'Guidance on requirements for substances in articles' posted at this URL: <https://echa.europa.eu/guidance-documents/guidance-on-reach>

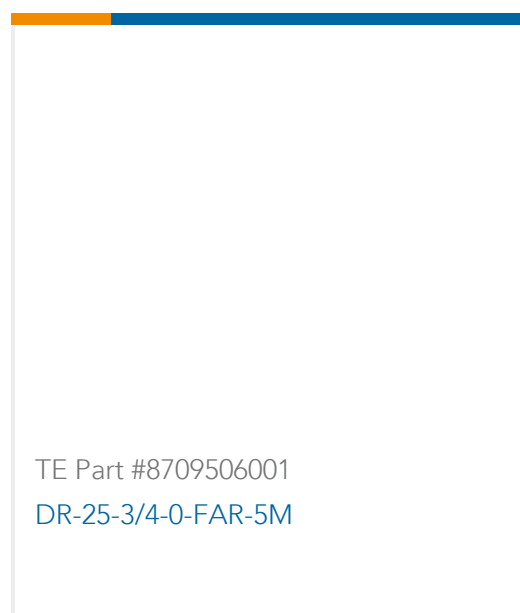
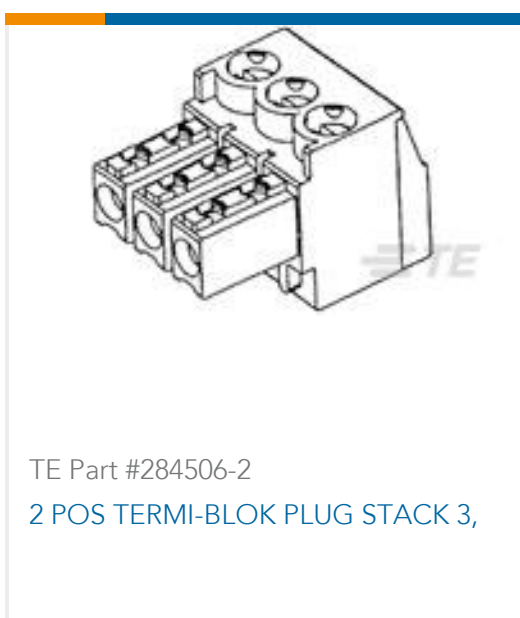
### Compatible Parts



### Also in the Series | MEAS TS



### Customers Also Bought





## Documents

### CAD Files

#### 3D PDF

3D

Customer View Model

[ENG\\_CVM\\_CVM\\_G-TPCO-035\\_1.2d\\_dxf.zip](#)

English

Customer View Model

[ENG\\_CVM\\_CVM\\_G-TPCO-035\\_1.3d\\_igs.zip](#)

English

Customer View Model

[ENG\\_CVM\\_CVM\\_G-TPCO-035\\_1.3d\\_stp.zip](#)

English

By downloading the CAD file I accept and agree to the [Terms and Conditions](#) of use.

### Datasheets & Catalog Pages

#### TS418-1N426

English