



MEAS | MEAS AXISENSE-2

TE Internal #: G-NSDOG2-003

TE Internal Description: AXISENSE-2 V-OUT-90 TILT SENSOR

FLOOR MT

AXISENSE-2 V-OUT TILT SENSOR FLOOR MOUNT

[View on TE.com >](#)

Sensors > Position Sensors > Tilt Sensors & Inclinometers > AXISENSE-2 V-OUT TILT SENSOR FLOOR MOUNT



Measurement Principle: **MEMS**

Tilt Sensor & Inclinometer Package: **Plastic Housing**

Tilt Sensor & Inclinometer Mounting: **Horizontal**

Measurement Axes: **Dual Axis**

Operating Temperature Range: **-40 – 85 °C [-40 – 185 °F]**

[All AXISENSE-2 V-OUT TILT SENSOR FLOOR MOUNT \(3\)](#)

Features

Configuration Features

Interface	Analog
-----------	--------

Electrical Characteristics

Voltage Supply	8 – 30 VDC
Interface Analog	.5 – 4.5 V

Termination Features

Tilt Sensor & Inclinometer Mounting	Horizontal
-------------------------------------	------------

Dimensions

Measurement Ranges	up to +/- 90 °
Dimension	up to 70 mm
Tilt Sensor & Inclinometer Accuracy	up to +/- .5 °
Resolution	up to +/- .01 °

Usage Conditions

Measurement Principle	MEMS
Operating Temperature Range	-40 – 85 °C[-40 – 185 °F]

Industry Standards

--	--



IP Rating	IP67
-----------	------

Packaging Features

Tilt Sensor & Inclinometer Package	Plastic Housing
------------------------------------	-----------------

Other

Measurement Axes	Dual Axis
------------------	-----------

Connection	Connector TE/AMP
------------	------------------

Product Compliance

[For compliance documentation, visit the product page on TE.com>](#)

EU RoHS Directive 2011/65/EU	Compliant with Exemptions
------------------------------	---------------------------

EU ELV Directive 2000/53/EC	Compliant
-----------------------------	-----------

China RoHS 2 Directive MIIT Order No 32, 2016	Restricted Materials Above Threshold
---	--------------------------------------

EU REACH Regulation (EC) No. 1907/2006	<p>Current ECHA Candidate List: JUNE 2023 (235)</p> <p>Candidate List Declared Against: JAN 2023 (233)</p> <p>SVHC > Threshold: Pb (.11% in Component Part)</p> <p>Article Safe Usage Statements: Do not eat, drink or smoke when using this product. Wash thoroughly after handling. Recycle if possible and dispose of the article by following all applicable governmental regulations relevant to your geographic location.</p>
--	---

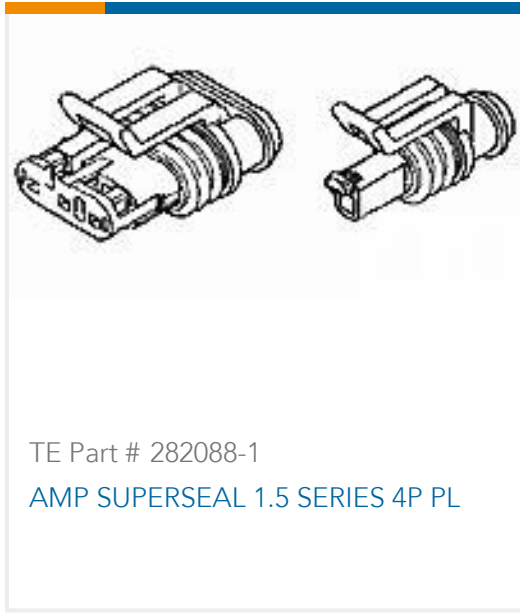
Halogen Content	Not Yet Reviewed for halogen content
-----------------	--------------------------------------

Solder Process Capability	Not applicable for solder process capability
---------------------------	--

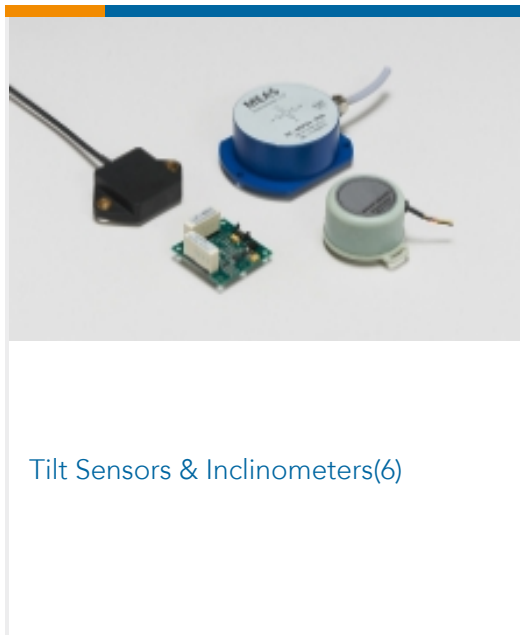
Product Compliance Disclaimer

This information is provided based on reasonable inquiry of our suppliers and represents our current actual knowledge based on the information they provided. This information is subject to change. The part numbers that TE has identified as EU RoHS compliant have a maximum concentration of 0.1% by weight in homogenous materials for lead, hexavalent chromium, mercury, PBB, PBDE, DBP, BBP, DEHP, DIBP, and 0.01% for cadmium, or qualify for an exemption to these limits as defined in the Annexes of Directive 2011/65/EU (RoHS2). Finished electrical and electronic equipment products will be CE marked as required by Directive 2011/65/EU. Components may not be CE marked. Additionally, the part numbers that TE has identified as EU ELV compliant have a maximum concentration of 0.1% by weight in homogenous materials for lead, hexavalent chromium, and mercury, and 0.01% for cadmium, or qualify for an exemption to these limits as defined in the Annexes of Directive 2000/53/EC (ELV). Regarding the REACH Regulation, the information TE provides on SVHC in articles for this part number is based on the latest European Chemicals Agency (ECHA) 'Guidance on requirements for substances in articles' posted at this URL: <https://echa.europa.eu/guidance-documents/guidance-on-reach>

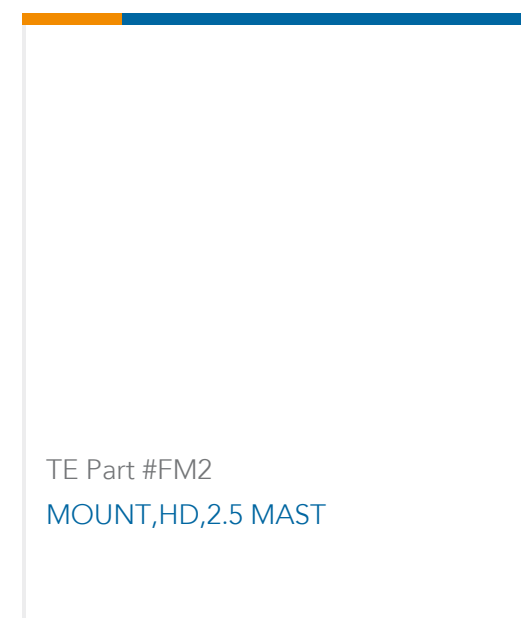
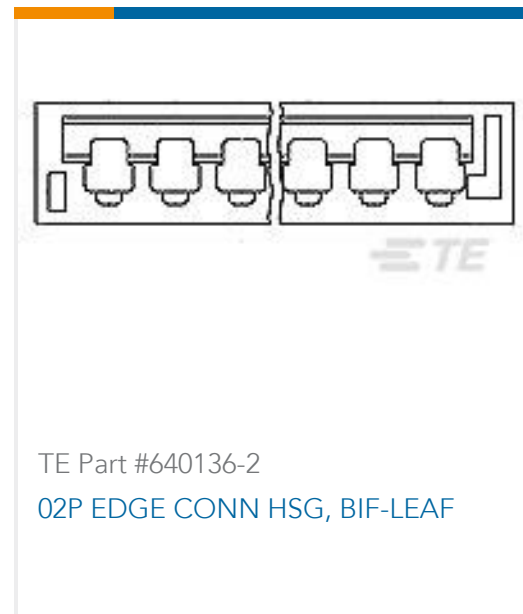
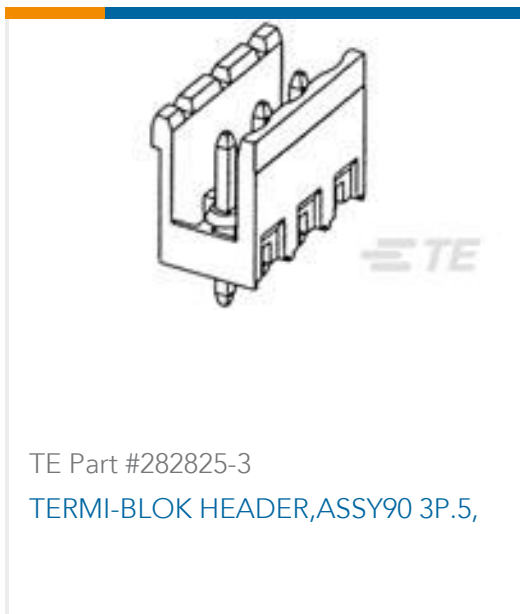
Compatible Parts



Also in the Series | MEAS AXISENSE-2



Customers Also Bought





Documents

Product Drawings

[AXISENSE-2 V-OUT-90 TILT SENSOR FLOOR MT](#)

English

CAD Files

[3D PDF](#)

3D

Customer View Model

[ENG_CVM_CVM_G-NSDOG2-003_B.2d_dxf.zip](#)

English

Customer View Model

[ENG_CVM_CVM_G-NSDOG2-003_B.3d_igs.zip](#)

English

Customer View Model

[ENG_CVM_CVM_G-NSDOG2-003_B.3d_stp.zip](#)

English

By downloading the CAD file I accept and agree to the [Terms and Conditions](#) of use.

Datasheets & Catalog Pages

[AXISENSE-2 SERIES VOLTAGE TILT SENSOR](#)

English

Product Specifications

[Application Specification](#)

English