



Sensors > Position Sensors > Magnetic Sensors > AMR Position Sensors



Magnetic Sensor Product Type: **Magnetic Linear Position Sensor**

Magnetic Sensor Package: **DFN2x6**

Sensing Range: **5 mm**

Signal Output: **Passive Analog**

Typical Signal Amplitude: **11 mV/V**

[All AMR Position Sensors \(6\)](#)

## Features

### Product Type Features

Magnetic Sensor Product Type	Magnetic Linear Position Sensor
------------------------------	---------------------------------

### Electrical Characteristics

Typical Operating Voltage	5 V
Typical Average Current	3 mA

### Usage Conditions

Sensing Range	5 mm
Operating Temperature Range	-40 – 150 °C[-40 – 302 °F]

### Operation/Application

Signal Output	Passive Analog
Typical Signal Amplitude	11 mV/V

### Packaging Features

Magnetic Sensor Package	DFN2x6
-------------------------	--------

## Product Compliance

[For compliance documentation, visit the product page on TE.com>](#)



EU RoHS Directive 2011/65/EU	Compliant
EU ELV Directive 2000/53/EC	Compliant
China RoHS 2 Directive MIIT Order No 32, 2016	No Restricted Materials Above Threshold
EU REACH Regulation (EC) No. 1907/2006	Current ECHA Candidate List: JUNE 2023 (235) Candidate List Declared Against: JUN 2020 (209) Does not contain REACH SVHC
Halogen Content	Not Yet Reviewed for halogen content
Solder Process Capability	Not reviewed for solder process capability

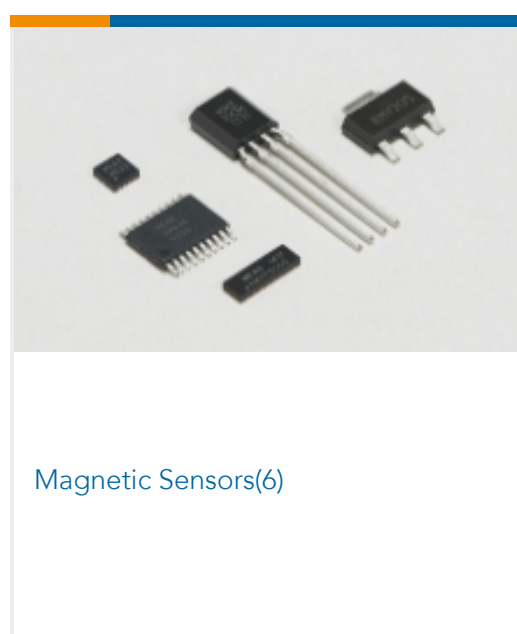
Product Compliance Disclaimer

This information is provided based on reasonable inquiry of our suppliers and represents our current actual knowledge based on the information they provided. This information is subject to change. The part numbers that TE has identified as EU RoHS compliant have a maximum concentration of 0.1% by weight in homogenous materials for lead, hexavalent chromium, mercury, PBB, PBDE, DBP, BBP, DEHP, DIBP, and 0.01% for cadmium, or qualify for an exemption to these limits as defined in the Annexes of Directive 2011/65/EU (RoHS2). Finished electrical and electronic equipment products will be CE marked as required by Directive 2011/65/EU. Components may not be CE marked. Additionally, the part numbers that TE has identified as EU ELV compliant have a maximum concentration of 0.1% by weight in homogenous materials for lead, hexavalent chromium, and mercury, and 0.01% for cadmium, or qualify for an exemption to these limits as defined in the Annexes of Directive 2000/53/EC (ELV). Regarding the REACH Regulation, the information TE provides on SVHC in articles for this part number is based on the latest European Chemicals Agency (ECHA) 'Guidance on requirements for substances in articles' posted at this URL: <https://echa.europa.eu/guidance-documents/guidance-on-reach>

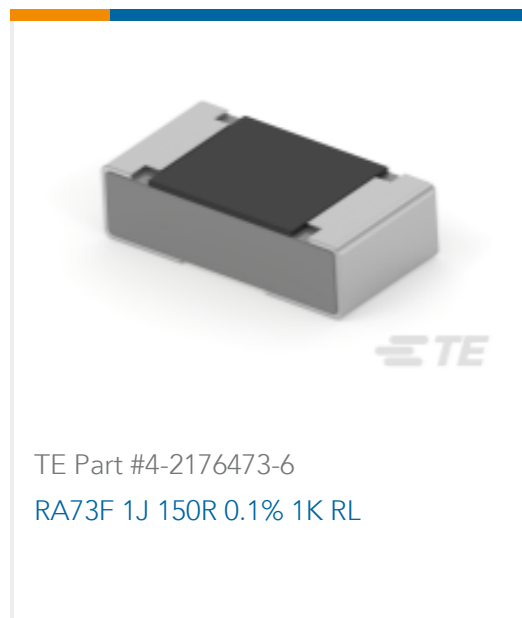
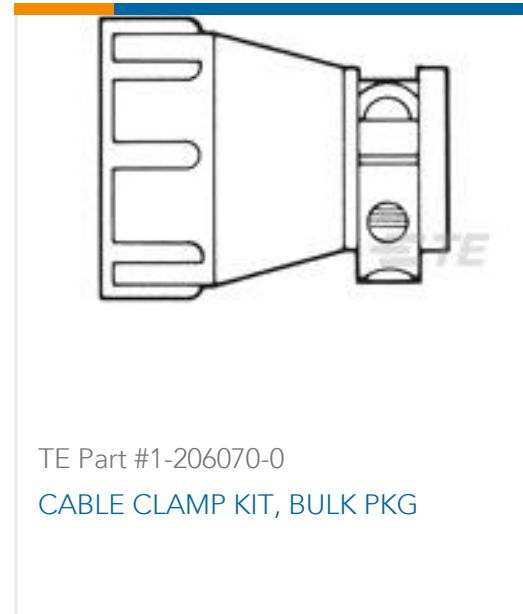
## Compatible Parts



## Also in the Series | MEAS KMXP-SERIES



## Customers Also Bought



## Documents

### CAD Files

3D PDF

3D

Customer View Model

[ENG\\_CVM\\_CVM\\_G-MRCO-057\\_1.2d\\_dxf.zip](#)

English

Customer View Model

[ENG\\_CVM\\_CVM\\_G-MRCO-057\\_1.3d\\_igs.zip](#)

English

Customer View Model

[ENG\\_CVM\\_CVM\\_G-MRCO-057\\_1.3d\\_stp.zip](#)

English

By downloading the CAD file I accept and agree to the [Terms and Conditions](#) of use.

### Datasheets & Catalog Pages

[KMXP Series Data Sheet](#)

English