



Sensors > Position Sensors > Magnetic Sensors



Magnetic Sensor Product Type: **Magnetic Low Field Sensor**

Magnetic Sensor Package: **E-Line 4 Pin**

Signal Output: **Passive Analog**

Typical Signal Amplitude: **10 mV/V**

Typical Operating Voltage: **5 V**

## Features

### Product Type Features

|                              |                           |
|------------------------------|---------------------------|
| Magnetic Sensor Product Type | Magnetic Low Field Sensor |
|------------------------------|---------------------------|

### Electrical Characteristics

|                           |      |
|---------------------------|------|
| Typical Operating Voltage | 5 V  |
| Typical Average Current   | 3 mA |

### Usage Conditions

|                             |                            |
|-----------------------------|----------------------------|
| Operating Temperature Range | -40 – 150 °C[-40 – 302 °F] |
|-----------------------------|----------------------------|

### Operation/Application

|                          |                |
|--------------------------|----------------|
| Signal Output            | Passive Analog |
| Typical Signal Amplitude | 10 mV/V        |

### Packaging Features

|                         |              |
|-------------------------|--------------|
| Magnetic Sensor Package | E-Line 4 Pin |
|-------------------------|--------------|

## Product Compliance

[For compliance documentation, visit the product page on TE.com>](#)

|   |  |
|---|--|
| EU RoHS Directive 2011/65/EU                  | Compliant                                    |
| EU ELV Directive 2000/53/EC                   | Compliant                                    |
| China RoHS 2 Directive MIIT Order No 32, 2016 | No Restricted Materials Above Threshold      |
| EU REACH Regulation (EC) No. 1907/2006        | Current ECHA Candidate List: JUNE 2023 (235) |

Candidate List Declared Against: JUN 2020  
(209)

Does not contain REACH SVHC

Halogen Content

Not Yet Reviewed for halogen content

Solder Process Capability

Not reviewed for solder process capability

Product Compliance Disclaimer

This information is provided based on reasonable inquiry of our suppliers and represents our current actual knowledge based on the information they provided. This information is subject to change. The part numbers that TE has identified as EU RoHS compliant have a maximum concentration of 0.1% by weight in homogenous materials for lead, hexavalent chromium, mercury, PBB, PBDE, DBP, BBP, DEHP, DIBP, and 0.01% for cadmium, or qualify for an exemption to these limits as defined in the Annexes of Directive 2011/65/EU (RoHS2). Finished electrical and electronic equipment products will be CE marked as required by Directive 2011/65/EU. Components may not be CE marked. Additionally, the part numbers that TE has identified as EU ELV compliant have a maximum concentration of 0.1% by weight in homogenous materials for lead, hexavalent chromium, and mercury, and 0.01% for cadmium, or qualify for an exemption to these limits as defined in the Annexes of Directive 2000/53/EC (ELV). Regarding the REACH Regulation, the information TE provides on SVHC in articles for this part number is based on the latest European Chemicals Agency (ECHA) 'Guidance on requirements for substances in articles' posted at this URL: <https://echa.europa.eu/guidance-documents/guidance-on-reach>

Also in the Series

Customers Also Bought



TE Part #206070-8  
CABLE CLAMP KIT #17



TE Part #DT04-2P  
REC, 2P, GRY, N



TE Part #DT06-2S  
PLG, 2P, GRY, N



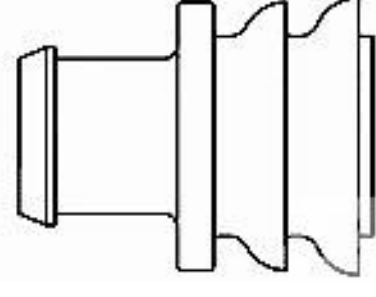
TE Part #W2S  
Wedgelocks: DEUTSCH DT



TE Part #0462-201-16141  
DEUTSCH Solid Contacts



TE Part #282104-1  
AMP SUPERSEAL 1.5MM,  
CONNECTOR HOUSING



TE Part #281934-2  
SINGLE WIRE SEAL

Documents

[CAD Files](#)

[3D PDF](#)

[3D](#)

[Customer View Model](#)

[ENG\\_CVM\\_CVM\\_G-MRCO-003\\_1.2d\\_dxf.zip](#)



English

Customer View Model

[ENG\\_CVM\\_CVM\\_G-MRCO-003\\_1.3d\\_igs.zip](#)

English

Customer View Model

[ENG\\_CVM\\_CVM\\_G-MRCO-003\\_1.3d\\_stp.zip](#)

English

By downloading the CAD file I accept and agree to the [Terms and Conditions](#) of use.

## Datasheets & Catalog Pages

[KMY/KMZ Data Sheet](#)

English