

FX1901-0001-0200-L ✓ ACTIVE

MEAS | MEAS FX1901

TE Internal #: FX1901-0001-0200-L

TE Internal Description: 200 LBF COMPRESSION LOAD CELL

100MV

COMPRESSION LOAD CELL - 100MV

[View on TE.com >](#)



Sensors > Force Sensors > Force Sensor Elements > COMPRESSION LOAD CELL - 100MV



Force Sensor Element Sensor Type: OEM Compression Load Cells

Full Scale Range: 200 – 200 lbf

Operating Temperature Range: 0 – 50 °C [ 32 – 122 °F ]

Zero Shift in CTR: ±.05 % of FS

Sensitivity Shift: ±.05 % of FS

[All COMPRESSION LOAD CELL - 100MV \(5\)](#)

## Features

### Product Type Features

Force Sensor Element Sensor Type	OEM Compression Load Cells
----------------------------------	----------------------------

### Electrical Characteristics

Supply Voltage	5 VDC
Full Scale Range	200 – 200 lbf

### Usage Conditions

Operating Temperature Range	0 – 50 °C[32 – 122 °F]
-----------------------------	------------------------

### Other

Accuracy	±1 % of FS
Force Direction	Compression
Zero Shift in CTR	±.05 % of FS
Sensitivity Shift	±.05 % of FS

## Product Compliance

[For compliance documentation, visit the product page on TE.com>](#)

EU RoHS Directive 2011/65/EU	Compliant with Exemptions
EU ELV Directive 2000/53/EC	Compliant with Exemptions



China RoHS 2 Directive MIIT Order No 32, 2016	Restricted Materials Above Threshold
EU REACH Regulation (EC) No. 1907/2006	Current ECHA Candidate List: JUNE 2023 (235) Candidate List Declared Against: JAN 2023 (233) Does not contain REACH SVHC
Halogen Content	Not Low Halogen - contains Br or Cl > 900 ppm.
Solder Process Capability	Not reviewed for solder process capability

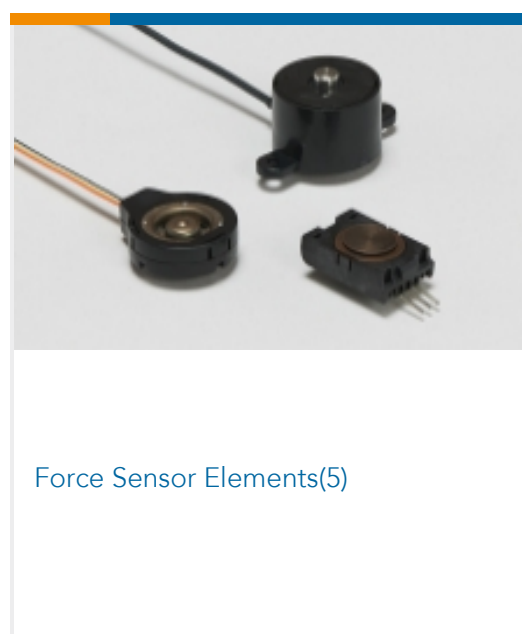
Product Compliance Disclaimer

This information is provided based on reasonable inquiry of our suppliers and represents our current actual knowledge based on the information they provided. This information is subject to change. The part numbers that TE has identified as EU RoHS compliant have a maximum concentration of 0.1% by weight in homogenous materials for lead, hexavalent chromium, mercury, PBB, PBDE, DBP, BBP, DEHP, DIBP, and 0.01% for cadmium, or qualify for an exemption to these limits as defined in the Annexes of Directive 2011/65/EU (RoHS2). Finished electrical and electronic equipment products will be CE marked as required by Directive 2011/65/EU. Components may not be CE marked. Additionally, the part numbers that TE has identified as EU ELV compliant have a maximum concentration of 0.1% by weight in homogenous materials for lead, hexavalent chromium, and mercury, and 0.01% for cadmium, or qualify for an exemption to these limits as defined in the Annexes of Directive 2000/53/EC (ELV). Regarding the REACH Regulation, the information TE provides on SVHC in articles for this part number is based on the latest European Chemicals Agency (ECHA) 'Guidance on requirements for substances in articles' posted at this URL: <https://echa.europa.eu/guidance-documents/guidance-on-reach>

## Compatible Parts



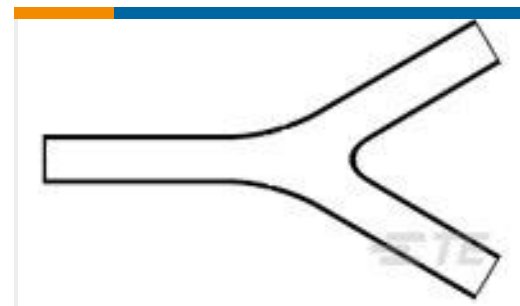
## Also in the Series | MEAS FX1901



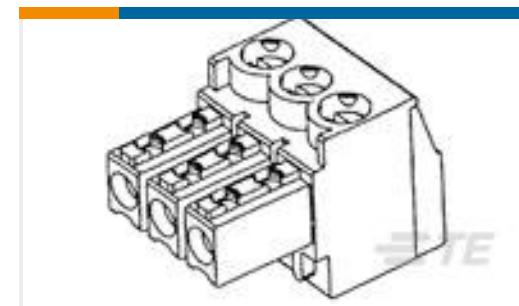
## Customers Also Bought



TE Part #5050863-5  
SOCKET,MIN-SPR SN-AU SER-2



TE Part #293770-000  
381A301-51/164-0



TE Part #284506-6  
6 POS TERMINAL BLOCK PLUG STACK 3,



TE Part #FC2331-0000-0100-L  
FC23 AMPLIFIED 2FT CABLE 100L



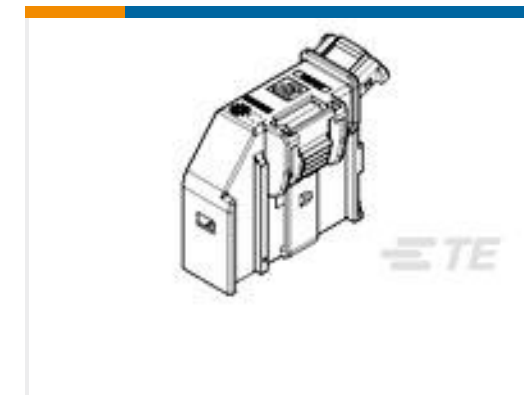
TE Part #1924678-1  
26P SMT LAC HDR ASY, KEY AE, Hand Mate



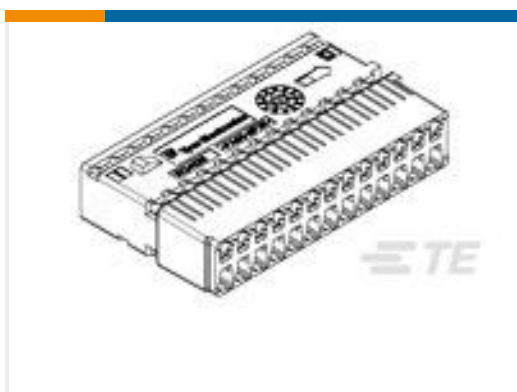
TE Part #20009605-53  
FX292X-100A-0200-L



TE Part #86-500G-R  
500 PSIG RIBBON CABLE MV PRESSURE SENSOR



TE Part #1924141-1  
Shield, 26P GenY, Hand Mate Conn



TE Part #1924136-3  
Carrier, 26P GenerationY, Hand Mate Conn



TE Part #225777-E  
POWERM STIFT VOLLM M5 8 2,54 \* EP 4,0 \*

## Documents

### CAD Files

#### 3D PDF

3D

#### Customer View Model

[ENG\\_CVM\\_CVM\\_FX1901-0001-0200-L\\_F.2d\\_dxf.zip](#)

English

#### Customer View Model

[ENG\\_CVM\\_CVM\\_FX1901-0001-0200-L\\_F.3d\\_igs.zip](#)

English

#### Customer View Model

[ENG\\_CVM\\_CVM\\_FX1901-0001-0200-L\\_F.3d\\_stp.zip](#)

English

By downloading the CAD file I accept and agree to the [Terms and Conditions](#) of use.

### Datasheets & Catalog Pages

#### FX19

English