



MEAS | MEAS FS

TE Internal #: FS2050-0000-1500-G

TE Internal Description: FS2050 COMPRESSION LC1500 GRAM

Compression Load Cell - 0.5-4.5V

[View on TE.com >](#)

Sensors > Force Sensors > Force Sensor Elements > Compression Load Cell - 0.5-4.5V



Force Sensor Element Sensor Type: **OEM Compression Load Cells**

Full Scale Range: 15 Nm

Operating Temperature Range: -40 – 85 °C [-40 – 185 °F]

Output Signal: 1 – 4 V

Zero Shift in CTR: ±.05 % of FS

[All Compression Load Cell - 0.5-4.5V \(14\)](#)

Features

Product Type Features

Force Sensor Element Sensor Type	OEM Compression Load Cells
----------------------------------	----------------------------

Electrical Characteristics

Supply Voltage	5 VDC
Full Scale Range	15 Nm

Signal Characteristics

Output Signal	1 – 4 V
---------------	---------

Usage Conditions

Operating Temperature Range	-40 – 85 °C[-40 – 185 °F]
-----------------------------	---------------------------

Other

Accuracy	±1 % of FS
Force Direction	Compression
Zero Shift in CTR	±.05 % of FS
Sensitivity Shift	±.05 % of FS

Product Compliance

[For compliance documentation, visit the product page on TE.com>](#)



EU RoHS Directive 2011/65/EU	Compliant with Exemptions
EU ELV Directive 2000/53/EC	Compliant with Exemptions
China RoHS 2 Directive MIIT Order No 32, 2016	Restricted Materials Above Threshold
EU REACH Regulation (EC) No. 1907/2006	<p>Current ECHA Candidate List: JUNE 2023 (235)</p> <p>Candidate List Declared Against: JUNE 2023 (235)</p> <p>SVHC > Threshold:</p> <p>Decamethylcyclopentasiloxane (D5) (.12% in Adhesive)</p> <p>Dodecamethylcyclohexasiloxane (D6) (.26% in Adhesive)</p> <p>2-methyl-1-(4-methylthiophenyl)-2-morpholinopropan-1-one (.15% in Solder Mask)</p> <p>Article Safe Usage Statements: Wash thoroughly after handling. Recycle if possible and dispose of the article by following all applicable governmental regulations relevant to your geographic location.</p>
Halogen Content	Not Low Halogen - contains Br or Cl > 900 ppm.
Solder Process Capability	Not reviewed for solder process capability

Product Compliance Disclaimer

This information is provided based on reasonable inquiry of our suppliers and represents our current actual knowledge based on the information they provided. This information is subject to change. The part numbers that TE has identified as EU RoHS compliant have a maximum concentration of 0.1% by weight in homogenous materials for lead, hexavalent chromium, mercury, PBB, PBDE, DBP, BBP, DEHP, DIBP, and 0.01% for cadmium, or qualify for an exemption to these limits as defined in the Annexes of Directive 2011/65/EU (RoHS2). Finished electrical and electronic equipment products will be CE marked as required by Directive 2011/65/EU. Components may not be CE marked. Additionally, the part numbers that TE has identified as EU ELV compliant have a maximum concentration of 0.1% by weight in homogenous materials for lead, hexavalent chromium, and mercury, and 0.01% for cadmium, or qualify for an exemption to these limits as defined in the Annexes of Directive 2000/53/EC (ELV). Regarding the REACH Regulation, the information TE provides on SVHC in articles for this part number is based on the latest European Chemicals Agency (ECHA) 'Guidance on requirements for substances in articles' posted at this URL: <https://echa.europa.eu/guidance-documents/guidance-on-reach>

Compatible Parts



Also in the Series | MEAS FS



Flow Switch(8)

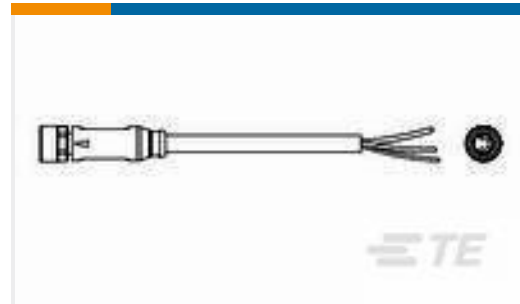


Force Sensor Elements(18)

Customers Also Bought



TE Part #T4011008041-000
M8 Field Installable



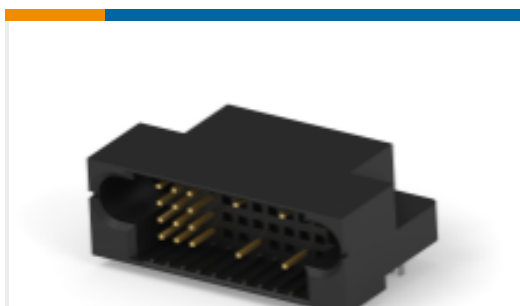
TE Part #1-2273003-3
M8 x 1.0 straight socket Pigtail



TE Part #87666-3
MOD IV RECP PLTD SN



TE Part #1-6450151-1
MBXL VERT RCPT 40S



TE Part #2-6450131-7
MBXL R/A HDR 40S



TE Part #2311770-1
AMPL REC, HD22, R/A, 44P,
THREADED

Documents

CAD Files

3D PDF

3D

Customer View Model

[ENG_CVM_CVM_FS2050-0000-1500-G_F.2d_dxf.zip](#)

English

Customer View Model

[ENG_CVM_CVM_FS2050-0000-1500-G_F.3d_igs.zip](#)

English

Customer View Model

[ENG_CVM_CVM_FS2050-0000-1500-G_F.3d_stp.zip](#)

English

By downloading the CAD file I accept and agree to the [Terms and Conditions](#) of use.

Datasheets & Catalog Pages

FS20

English

