



TE Internal #: ESB205N00310003000  
 Standard Circular Connectors, Cable-to-Cable, Power, Cable Mount (Free-Hanging), Electrodeposited Nickel, Zinc Alloy, PBT+PA, Size 15, Shielded, Plug

[View on TE.com >](#)

Connectors > Circular Connectors > Standard Circular Connectors



Connector System: **Cable-to-Cable**  
 Sealable: **No**  
 Circuit Application: **Power**  
 Connector Mounting Type: **Cable Mount (Free-Hanging)**  
 Shell Plating Material: **Electrodeposited Nickel**

**Features**

**Product Type Features**

Product Type	Connector Assembly
Connector System	Cable-to-Cable
Sealable	No
Circular Connector Type	Plug
Shell Type	Metal

**Electrical Characteristics**

Operating Voltage	63 VAC
-------------------	--------

**Body Features**

Environmental Protection	IP67
Shell Plating Material	Electrodeposited Nickel
Shell Base Material	Zinc Alloy
Circular Connector Insulation Material Type	PBT+PA

**Mechanical Attachment**

Mating Retention Type	Push-Pull Self-Locking
-----------------------	------------------------



Connector Mounting Type

Cable Mount (Free-Hanging)

### Housing Features

Circular Connector Shell Size

15

### Dimensions

Cable Diameter Range

4.5 – 6.5 mm [.18 – .26 in]

### Usage Conditions

Operating Temperature Range

-20 – 130 °C [-4 – 266 °F]

### Operation/Application

Durability Rating

500 Cycles

Circuit Application

Power

Shielded

Yes

### Industry Standards

UL Flammability Rating

UL 94V-0

Approved Standards

UL

### Product Compliance

For compliance documentation, visit the product page on [TE.com](#)>

EU RoHS Directive 2011/65/EU

Compliant with Exemptions

EU ELV Directive 2000/53/EC

Compliant with Exemptions

China RoHS 2 Directive MIIT Order No 32, 2016

Restricted Materials Above Threshold

EU REACH Regulation (EC) No. 1907/2006

Current ECHA Candidate List: JUNE 2023 (235)  
Candidate List Declared Against: JAN 2023 (233)  
SVHC > Threshold:  
Pb (3.5% in Component)  
**Article Safe Usage Statements:**  
Do not eat, drink or smoke when using this product. Wash thoroughly after handling. Recycle if possible and dispose of the article by following all applicable governmental regulations relevant to your geographic location.

Halogen Content

Not Yet Reviewed for halogen content

Solder Process Capability

Not reviewed for solder process capability

#### Product Compliance Disclaimer

This information is provided based on reasonable inquiry of our suppliers and represents our current actual knowledge based on the information they provided. This information is subject to change. The part numbers that TE has identified as EU RoHS compliant have a maximum concentration of 0.1% by weight in homogenous materials for lead, hexavalent chromium, mercury, PBB, PBDE, DBP, BBP, DEHP, DIBP, and 0.01% for cadmium, or qualify for an exemption to these limits as defined in the Annexes of Directive 2011/65/EU (RoHS2). Finished electrical and electronic equipment products will be CE marked as required by Directive 2011/65/EU. Components may not be CE marked. Additionally, the part

numbers that TE has identified as EU ELV compliant have a maximum concentration of 0.1% by weight in homogenous materials for lead, hexavalent chromium, and mercury, and 0.01% for cadmium, or qualify for an exemption to these limits as defined in the Annexes of Directive 2000/53/EC (ELV). Regarding the REACH Regulation, the information TE provides on SVHC in articles for this part number is based on the latest European Chemicals Agency (ECHA) 'Guidance on requirements for substances in articles' posted at this URL: <https://echa.europa.eu/guidance-documents/guidance-on-reach>

## Compatible Parts



TE Part # 60-0251-011-000  
CONTACT SOCKET 1 MM



TE Part # 60-0252-011-000  
CONTACT SOCKET 1 MM



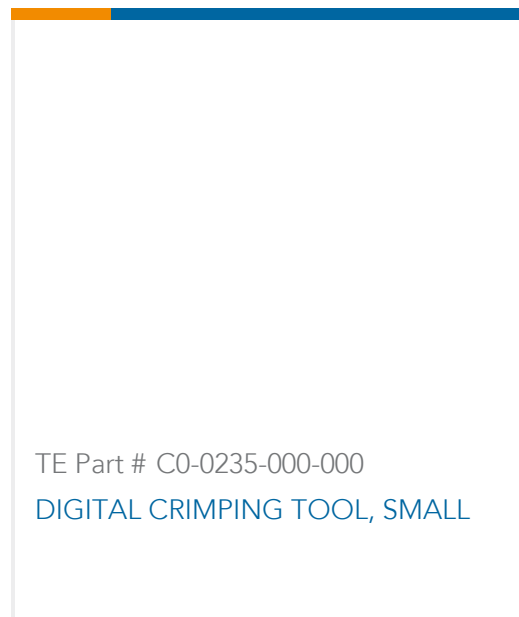
TE Part # 60-0265-011-000  
CONTACT SOCKET 1 MM



TE Part # EEA204N00000001000  
915 ITEC RECEPTACLE



TE Part # C0-0201-000-000  
CRIMPING TOOL MID-SIZE



TE Part # C0-0235-000-000  
DIGITAL CRIMPING TOOL, SMALL



TE Part # C0-0258-000-000  
POSITIONING INSERT FOR 1 MM CONTACTS

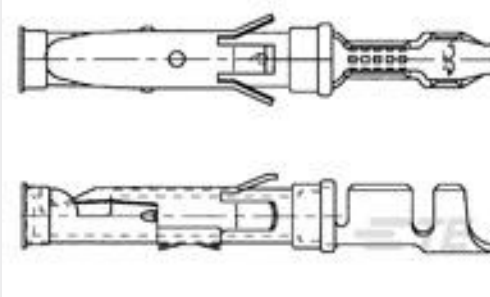


TE Part # EGC204N00000651000  
615 itec receptacle angl rotatable 25x25

## Customers Also Bought



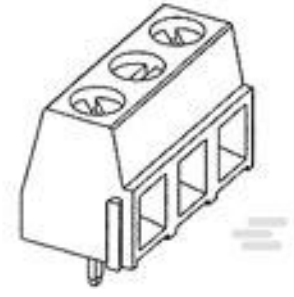
TE Part #1-6609037-3  
10EMC1=F8128



TE Part #163092-2  
.062 DIA SOCKET ASSY 3+ (LP)



TE Part #T4141412051-000  
M12,REAR MOUNTING,FEMALE,B CODE,5P



TE Part #282837-8  
TERMI-BLOK PCB MOUNT 8P



TE Part #61-0239-011-000  
CONTACT PIN 1 MM



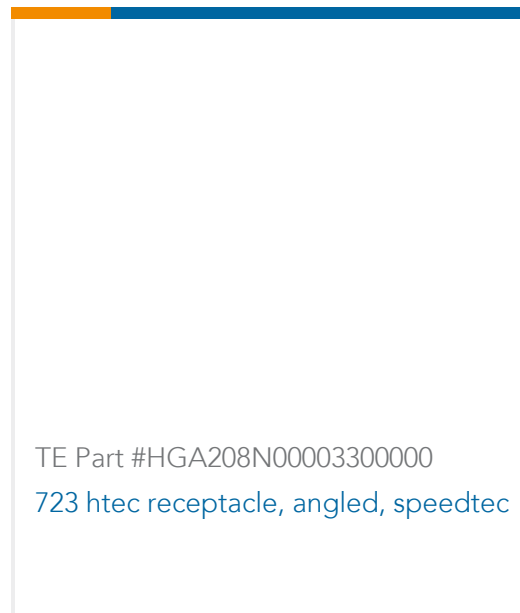
TE Part #61-0242-011-000  
CONTACT PIN 2 MM



TE Part #EEA204N00000001000  
915 ITEC RECEPTACLE



TE Part #A6-0022-F04-000  
723 HTEC COLORED RING RAL1021 RAPEYELLOW



## Documents

### CAD Files

[3D PDF](#)

3D

Customer View Model

[ENG\\_CVM\\_CVM\\_ESB205N00310003000\\_A.2d\\_dxf.zip](#)

English

Customer View Model

[ENG\\_CVM\\_CVM\\_ESB205N00310003000\\_A.3d\\_igs.zip](#)

English

Customer View Model

[ENG\\_CVM\\_CVM\\_ESB205N00310003000\\_A.3d\\_stp.zip](#)

English

By downloading the CAD file I accept and agree to the [Terms and Conditions](#) of use.

### Datasheets & Catalog Pages

[fuer Datenblaetter, die online konfigurierbar sind](#)

German

[ESB205N00310003000](#)

English