



D-CT

TE Internal #: EL8085-000

Printable Tubing, Continuous, Fluid Resistant, 3:1 Shrink Ratio, White, .25in [6.4mm] Expanded Inside Diameter, D-CT

[View on TE.com >](#)

Identification & Labeling > Printable Tubing



Printable Tubing Type: **Continuous**

Printable Tubing Grade: **Fluid Resistant**

Shrink Ratio: **3:1**

Primary Product Color: **White**

Expanded Inside Diameter (Min): **6.4 mm [.25 in]**

Features

Product Type Features

Printable Tubing Type	Continuous
Printable Tubing Grade	Fluid Resistant

Body Features

Shrink Ratio	3:1
Primary Product Color	White

Dimensions

Expanded Inside Diameter (Min)	6.4 mm [.25 in]
Recovered Inside Diameter (Max)	2.1 mm [.083 in]
Compatible Cable Diameter Range	2.1 – 5.12 mm [.083 – .202 in]

Usage Conditions

Operating Temperature Range	-75 – 135 °C [-103 – 275 °F]
-----------------------------	------------------------------

Printer/Label Features

Printer Technology	Thermal Transfer
--------------------	------------------

Packaging Features

Packaging Quantity	50
--------------------	----

Product Compliance

[For compliance documentation, visit the product page on TE.com>](#)



EU RoHS Directive 2011/65/EU	Compliant
EU ELV Directive 2000/53/EC	Compliant
China RoHS 2 Directive MIIT Order No 32, 2016	No Restricted Materials Above Threshold
EU REACH Regulation (EC) No. 1907/2006	Current ECHA Candidate List: JUNE 2023 (235) Candidate List Declared Against: JUNE 2023 (235) Does not contain REACH SVHC
Halogen Content	Not Low Halogen - contains Br or Cl > 900 ppm.
Solder Process Capability	Not applicable for solder process capability

Product Compliance Disclaimer

This information is provided based on reasonable inquiry of our suppliers and represents our current actual knowledge based on the information they provided. This information is subject to change. The part numbers that TE has identified as EU RoHS compliant have a maximum concentration of 0.1% by weight in homogenous materials for lead, hexavalent chromium, mercury, PBB, PBDE, DBP, BBP, DEHP, DIBP, and 0.01% for cadmium, or qualify for an exemption to these limits as defined in the Annexes of Directive 2011/65/EU (RoHS2). Finished electrical and electronic equipment products will be CE marked as required by Directive 2011/65/EU. Components may not be CE marked. Additionally, the part numbers that TE has identified as EU ELV compliant have a maximum concentration of 0.1% by weight in homogenous materials for lead, hexavalent chromium, and mercury, and 0.01% for cadmium, or qualify for an exemption to these limits as defined in the Annexes of Directive 2000/53/EC (ELV). Regarding the REACH Regulation, the information TE provides on SVHC in articles for this part number is based on the latest European Chemicals Agency (ECHA) 'Guidance on requirements for substances in articles' posted at this URL: <https://echa.europa.eu/guidance-documents/guidance-on-reach>

Compatible Parts



TE Part # 1-2186500-1
T3212-PRINTER



TE Part # 1-2186502-1
T3224-PRINTER



TE Part # 1-2186503-1
T3224-SWARE-PRINTER



TE Part # 1-2186501-1
T3212-SWARE-PRINTER



TE Part # 1-2186538-1
RIB-1982-300-110-L-0



TE Part # 1-2186540-1
RIB-1982-300-60-L-0



TE Part # 1-2186549-1
RIB-1982-240-110-L-0-T200



TE Part # CP8122-000
T6112DS-PRINTER

Also in the Series | D-CT

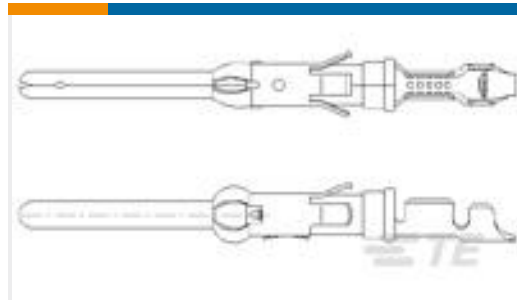


Printable Tubing(16)

Customers Also Bought



TE Part #1-746610-4
16 DIP PLUG, 100CL, LEAD FREE



TE Part #1-163085-1
SPEC. PLATED



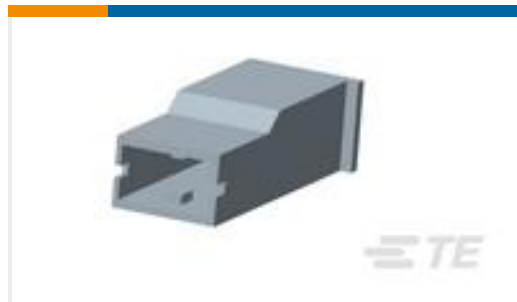
TE Part #179956-3
DYNAMIC D-5 REC CONT M FORM.



TE Part #1-917484-5
DYNAMIC D-3 REC CONT. 2L PRE-TIN



TE Part #816090-000
D-SCE-1K-25-50-S1-9



TE Part #154719-9
PL 250 REC HSG 1P NYLON BROWN



TE Part #154719-5
PL 250 REC HSG 1P NYLON GREEN



TE Part #EL8084-000
D-CT-50M-4.8-OUT-9



TE Part #650784-000
T300-RIBBON-WH

Documents

Product Drawings

[D-CT-50M-6.4-OUT-9](#)

English

[D-CT-50M-6.4-OUT-9](#)

English

Datasheets & Catalog Pages

[Printable Continuous Tubing](#)

English



D-CT, Continuous Diesel Resistant Heat Shrinkable Identification Tube

English

Product Specifications

Product Specification

English

IDENTIFICATION PRINTER PRODUCT RIBBON MATRIX

English

Instruction Sheets

Instruction Sheet (non U.S.)

English