



Sensors > Sensor Development Boards and Evaluation Kits > MS5637 WING BOARDS FOR XPLAINEDPRO



Sensor Development & Evaluation Product Type: **Xplained Pro**

Sensor Development & Evaluation Type: **Pressure**

[All MS5637 WING BOARDS FOR XPLAINEDPRO \(1\)](#)

Features

Product Type Features

Sensor Development & Evaluation Product Type	Xplained Pro
Sensor Development & Evaluation Type	Pressure

Product Compliance

[For compliance documentation, visit the product page on TE.com>](#)

EU RoHS Directive 2011/65/EU	Compliant
EU ELV Directive 2000/53/EC	Out of Scope
China RoHS 2 Directive MIIT Order No 32, 2016	No Restricted Materials Above Threshold
EU REACH Regulation (EC) No. 1907/2006	Current ECHA Candidate List: JUNE 2023 (235) Candidate List Declared Against: JAN 2021 (211) Does not contain REACH SVHC
Halogen Content	Not Yet Reviewed for halogen content
Solder Process Capability	Not reviewed for solder process capability

Product Compliance Disclaimer

This information is provided based on reasonable inquiry of our suppliers and represents our current actual knowledge based on the information they provided. This information is subject to change. The part numbers that TE has identified as EU RoHS compliant have a maximum concentration of 0.1% by weight in homogenous materials for lead, hexavalent chromium, mercury, PBB, PBDE, DBP, BBP, DEHP, DIBP, and 0.01% for cadmium, or qualify for an exemption to these limits as defined in the Annexes of Directive 2011/65/EU (RoHS2). Finished electrical and electronic equipment products will be CE marked as required by Directive 2011/65/EU. Components may not be CE marked. Additionally, the part numbers that TE has identified as EU ELV compliant have a maximum concentration of 0.1% by weight in homogenous materials for lead, hexavalent chromium, and mercury, and 0.01% for cadmium, or qualify for an exemption to these limits

as defined in the Annexes of Directive 2000/53/EC (ELV). Regarding the REACH Regulation, the information TE provides on SVHC in articles for this part number is based on the latest European Chemicals Agency (ECHA) 'Guidance on requirements for substances in articles' posted at this URL: <https://echa.europa.eu/guidance-documents/guidance-on-reach>

Compatible Parts



TE Part # DPP201A000
XPLAINED PRO TSY01



TE Part # DPP202A000
XPLAINED PRO TSY02D



TE Part # DPP301A000
XPLAINED PRO HTU21

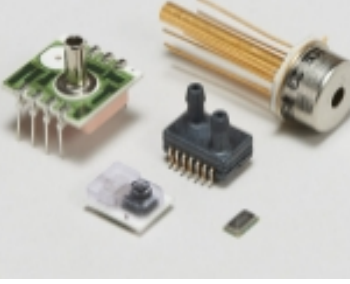


TE Part # DPP401A000
XPLAINED PRO KMA36 (R)




TE Part # DPP901A000
XPLAINED PRO MS8607

Also in the Series | MEAS MS5637



Board Mount Pressure Sensors(2)



Sensor Development Boards and Evaluation Kits(7)

Customers Also Bought



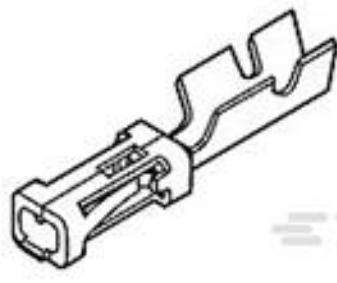
TE Part #MS563702BA03-50
2 BAR INDUSTRIAL ALTIMETER SENSOR



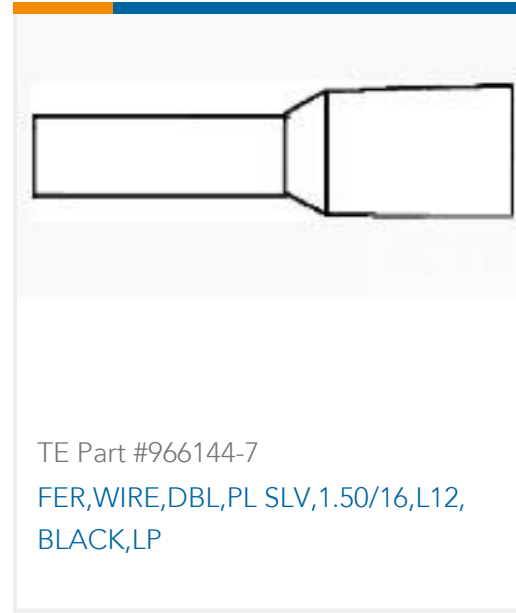
TE Part #T4062213004-005
M8 Male to Female Straight Double Ended Cable



TE Part #5-103956-1
10X2 MTE RCPT SR LATCH .100CL



TE Part #102128-2
MOD V RECP LP



Documents

Datasheets & Catalog Pages

[MS5637 XplainedPro](#)

English

[MS5637_Xplained pro](#)

English