



DEUTSCH 369

TE Internal #: D369-STB-6

TE Internal Description: 369 6 WAY BACKSHELL STRAIGHT TIE

WRAP

[View on TE.com >](#)



### Product Compliance

[For compliance documentation, visit the product page on TE.com>](#)

EU RoHS Directive 2011/65/EU	Compliant
EU ELV Directive 2000/53/EC	Compliant
China RoHS 2 Directive MIIT Order No 32, 2016	No Restricted Materials Above Threshold
EU REACH Regulation (EC) No. 1907/2006	Current ECHA Candidate List: JUNE 2023 (235) Candidate List Declared Against: JUNE 2022 (224) Does not contain REACH SVHC
Halogen Content	Low Halogen - Br, Cl, F, I < 900 ppm per homogenous material. Also BFR/CFR/PVC Free
Solder Process Capability	Not applicable for solder process capability

Product Compliance Disclaimer

This information is provided based on reasonable inquiry of our suppliers and represents our current actual knowledge based on the information they provided. This information is subject to change. The part numbers that TE has identified as EU RoHS compliant have a maximum concentration of 0.1% by weight in homogenous materials for lead, hexavalent chromium, mercury, PBB, PBDE, DBP, BBP, DEHP, DIBP, and 0.01% for cadmium, or qualify for an exemption to these limits as defined in the Annexes of Directive 2011/65/EU (RoHS2). Finished electrical and electronic equipment products will be CE marked as required by Directive 2011/65/EU. Components may not be CE marked. Additionally, the part numbers that TE has identified as EU ELV compliant have a maximum concentration of 0.1% by weight in homogenous materials for lead, hexavalent chromium, and mercury, and 0.01% for cadmium, or qualify for an exemption to these limits as defined in the Annexes of Directive 2000/53/EC (ELV). Regarding the REACH Regulation, the information TE provides on SVHC in articles for this part number is based on the latest European Chemicals Agency (ECHA) 'Guidance on requirements for substances in articles' posted at this URL: <https://echa.europa.eu/guidance-documents/guidance-on-reach>

### Also in the Series | [DEUTSCH 369](#)



PCB Headers & Receptacles(60)



Standard Rectangular Connectors(425)

## Customers Also Bought



TE Part #5039924004  
SRRFR-2.9/1.7-8-SP



TE Part #D369-P66-NS1  
Rectangular Connectors: 6-Way Plug



TE Part #D369-R66-NP1  
369 6 WAY REC, CRIMP, PIN



TE Part #CTJ722K01C  
MODULE ASSY



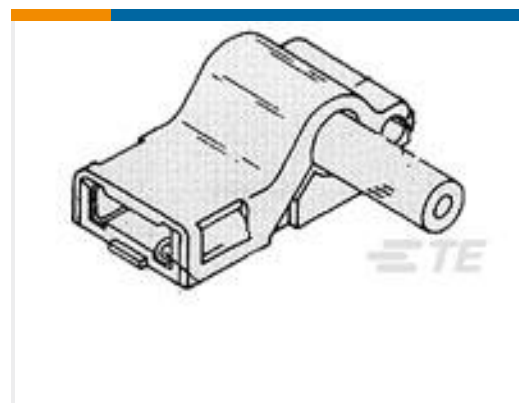
TE Part #ZPF0000000000003598  
724-0003-20



TE Part #D369-STB-9  
369 9 WAY BACKSHELL STRAIGHT  
TIE WRAP



TE Part #D369-STB-3  
369 3 WAY BACKSHELL STRAIGHT  
TIE WRAP



TE Part #1-480306-1  
250 FASTON INSULATION POD., REC.,  
NATRUAL

## Documents

### Product Drawings

[369 6 WAY BACKSHELL STRAIGHT TIE WRAP](#)

English

### CAD Files

[3D PDF](#)

3D

Customer View Model

[ENG\\_CVM\\_CVM\\_D369-STB-6\\_A.2d\\_dxf.zip](#)

English

Customer View Model

[ENG\\_CVM\\_CVM\\_D369-STB-6\\_A.3d\\_igs.zip](#)

English

Customer View Model

[ENG\\_CVM\\_CVM\\_D369-STB-6\\_A.3d\\_stp.zip](#)

English

By downloading the CAD file I accept and agree to the [Terms and Conditions](#) of use.

