

CSI-SGFI-100-UFFR ✓ ACTIVE

TE Internal #: CSI-SGFI-100-UFFR

SMA Bulkhead to UMCC Cable Assembly, .33 ft [.1 – 1 m], Gray Cable, 3 GHz Operating Frequency, 50 Ω, FEP, 31 AWG, .044 in [1.13 mm] Diameter, SMA Jack

[View on TE.com >](#)



Cable Assemblies > RF Cable Assemblies



Connector Type (End A): **SMA Jack**

Jacket Material: **FEP**

Cable Assembly Length: **.1 – 1 m [.33 ft]**

Cable Color: **Gray**

Operating Temperature Range: **-40 – 90 °C [-40 – 194 °F]**

Features

Product Type Features

Coax Cable Type	1.13 mm
Connector Type (End A)	SMA Jack
Connector Type (End B)	MHF1 Plug
Cable Assembly Type	SMA Bulkhead to UMCC

Configuration Features

Number of Connectorized Ends	2
------------------------------	---

Electrical Characteristics

Impedance	50 Ω
-----------	------

Body Features

Body Plating Material	Gold
Jacket Material	FEP
Cable Color	Gray

Contact Features

Center Contact Plating	Gold
------------------------	------

Dimensions

Wire Size	31 AWG
Outside Cable Diameter	1.13 mm [.044 in]



Usage Conditions

Operating Temperature Range	-40 – 90 °C[-40 – 194 °F]
-----------------------------	---------------------------

Operation/Application

Shielded	Yes
Operating Frequency	3 GHz

Other

Dielectric Material	FEP
Cable Assembly Length	.1 – 1 m[.33 ft]

Product Compliance

[For compliance documentation, visit the product page on TE.com>](#)

EU RoHS Directive 2011/65/EU	Compliant
EU ELV Directive 2000/53/EC	Not Yet Reviewed
China RoHS 2 Directive MIIT Order No 32, 2016	No Restricted Materials Above Threshold
EU REACH Regulation (EC) No. 1907/2006	Current ECHA Candidate List: JUNE 2023 (235) Candidate List Declared Against: JUNE 2023 (235) Does not contain REACH SVHC
Halogen Content	Low Halogen - Br, Cl, F, I < 900 ppm per homogenous material. Also BFR/CFR/PVC Free
Solder Process Capability	Not reviewed for solder process capability

Product Compliance Disclaimer

This information is provided based on reasonable inquiry of our suppliers and represents our current actual knowledge based on the information they provided. This information is subject to change. The part numbers that TE has identified as EU RoHS compliant have a maximum concentration of 0.1% by weight in homogenous materials for lead, hexavalent chromium, mercury, PBB, PBDE, DBP, BBP, DEHP, DIBP, and 0.01% for cadmium, or qualify for an exemption to these limits as defined in the Annexes of Directive 2011/65/EU (RoHS2). Finished electrical and electronic equipment products will be CE marked as required by Directive 2011/65/EU. Components may not be CE marked. Additionally, the part numbers that TE has identified as EU ELV compliant have a maximum concentration of 0.1% by weight in homogenous materials for lead, hexavalent chromium, and mercury, and 0.01% for cadmium, or qualify for an exemption to these limits as defined in the Annexes of Directive 2000/53/EC (ELV). Regarding the REACH Regulations, TE's information on SVHC in articles for this part number is still based on the European Chemical Agency (ECHA) 'Guidance on requirements for substances in articles' (Version: 2, April 2011), applying the 0.1% weight on weight concentration threshold at the finished product level. TE is aware of the European Court of Justice ruling of September 10th, 2015 also known as O5A (Once An Article Always An Article) stating that, in case of 'complex object', the threshold for a SVHC must be applied to both the product as a whole and simultaneously to each of the articles forming part of its composition. TE has evaluated this ruling based on the new ECHA "Guidance on requirements for substances in articles" (June 2017, version 4.0) and will be updating its statements accordingly.

Compatible Parts




TE Part # CONMHF1-SMD-G-T
 U.FL/MHF1 Jack 50 Ohm PCB Surface Mount



TE Part # CONMHF1-SMD-T
 U.FL/MHF1 Jack 50 Ohm PCB Surface Mount



TE Part # CONUFL001-SMD
 Conn UFL MHF Straight PCB Mount Jack

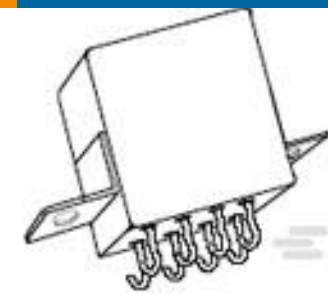


TE Part # CONUFL001-SMD-T
 U.FL/MHF1 Jack 50 Ohm PCB Surface Mount

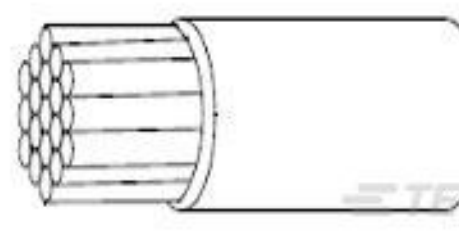
Customers Also Bought



TE Part #35684
 TERMINAL,SOLIS R 14-12 6



TE Part #4-1617752-3
 FCA-215-CY4



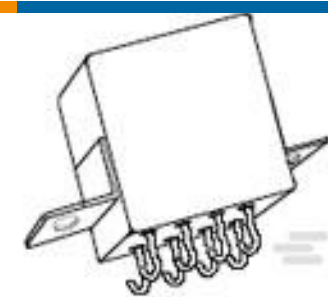
TE Part #216005-007
 55A0111-20-9




TE Part #YDTS20F15-35SNV001
 RECP ASSY



TE Part #YDTS26W13-04SAV001
 PLUG ASSY



TE Part #9-1617748-8
 FCA-210-0923M=M83536/9-023M



TE Part #ADP-SMAF-MCXM
 SMA Jack to MCX Plug



TE Part #ANT-5GW-IPW1-NP
 Antenna Whip 5G WB Cell IP67 N Plug



TE Part #ANT-LTE-RPC
 Antenna Adh PCB RPC LTE 1.13 100



TE Part #CONMHF4-SMD-G-T
 MHF4 Jack 50 Ohm PCB Surface Mount

Documents

Datasheets & Catalog Pages

CABLE ASSEMBLY, U.FL TO FEM BLKHD SMA, 1.13mm CBL

English