

CSTA264NN00250001000 ✓ ACTIVE

TE Internal #: CSA264N00250001000

Standard Circular Connectors, Cable-to-Cable, Power & Signal,
Cable Mount (Free-Hanging), Electrodeposited Nickel, Zinc Alloy,
PBT GF, Size 40

[View on TE.com >](#)



Connectors > Circular Connectors > Standard Circular Connectors



Connector System: **Cable-to-Cable**

Sealable: **No**

Circuit Application: **Power & Signal**

Connector Mounting Type: **Cable Mount (Free-Hanging)**

Shell Plating Material: **Electrodeposited Nickel**

Features

Product Type Features

Product Type	Connector Assembly
Connector System	Cable-to-Cable
Sealable	No
Circular Connector Type	Plug
Shell Type	Metal

Electrical Characteristics

Operating Voltage	630 VAC
-------------------	---------

Body Features

Environmental Protection	IP67
Shell Plating Material	Electrodeposited Nickel
Shell Base Material	Zinc Alloy
Circular Connector Insulation Material Type	PBT GF

Mechanical Attachment

Mating Retention Type	Screw
-----------------------	-------



Connector Mounting Type

Cable Mount (Free-Hanging)

Housing Features

Circular Connector Shell Size

40

Alignment Keyed

0°

Dimensions

Cable Diameter Range

16.5 – 25 mm [.65 – .98 in]

Usage Conditions

Operating Temperature Range

-20 – 130 °C [-4 – 266 °F]

Operation/Application

Durability Rating

500 Cycles

Circuit Application

Power & Signal

Shielded

Yes

Industry Standards

UL Flammability Rating

UL 94V-0

Approved Standards

UL

Product Compliance

[For compliance documentation, visit the product page on TE.com>](#)

EU RoHS Directive 2011/65/EU

Compliant with Exemptions

EU ELV Directive 2000/53/EC

Compliant with Exemptions

China RoHS 2 Directive MIIT Order No 32, 2016

Restricted Materials Above Threshold

EU REACH Regulation (EC) No. 1907/2006

Current ECHA Candidate List: JUNE 2023 (235)
 Candidate List Declared Against: JAN 2023 (233)
 SVHC > Threshold:
 Pb (3.5% in Component)

Article Safe Usage Statements:

Do not eat, drink or smoke when using this product. Wash thoroughly after handling. Recycle if possible and dispose of the article by following all applicable governmental regulations relevant to your geographic location.

Halogen Content

Not Yet Reviewed for halogen content

Solder Process Capability

Not reviewed for solder process capability

Product Compliance Disclaimer

This information is provided based on reasonable inquiry of our suppliers and represents our current actual knowledge based on the information they provided. This information is subject to change. The part numbers that TE has identified as EU RoHS compliant have a maximum concentration of 0.1% by weight in homogenous materials for lead, hexavalent chromium, mercury, PBB, PBDE, DBP, BBP, DEHP, DIBP, and 0.01% for cadmium, or qualify for an exemption to these

limits as defined in the Annexes of Directive 2011/65/EU (RoHS2). Finished electrical and electronic equipment products will be CE marked as required by Directive 2011/65/EU. Components may not be CE marked. Additionally, the part numbers that TE has identified as EU ELV compliant have a maximum concentration of 0.1% by weight in homogenous materials for lead, hexavalent chromium, and mercury, and 0.01% for cadmium, or qualify for an exemption to these limits as defined in the Annexes of Directive 2000/53/EC (ELV). Regarding the REACH Regulation, the information TE provides on SVHC in articles for this part number is based on the latest European Chemicals Agency (ECHA) 'Guidance on requirements for substances in articles' posted at this URL: <https://echa.europa.eu/guidance-documents/guidance-on-reach>

Compatible Parts



TE Part # CEA271N00000051000
940 RECEPTACLE, SPEEDTEC-READY



TE Part # C0-0004-000-000
POSITIONING INSERT FOR 2 MM CONTACTS




TE Part # C0-0008-000-000
CRIMPING TOOL LARGE




TE Part # C0-0010-000-000
POSITIONING INSERT FOR 3.6 MM CONTACTS



TE Part # C0-0201-000-000
CRIMPING TOOL MID-SIZE

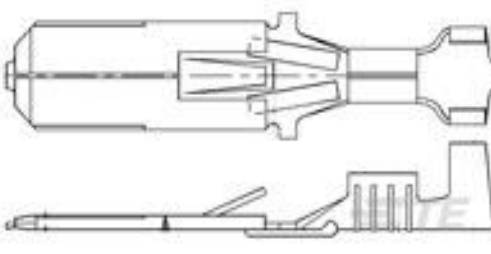


TE Part # C0-0236-000-000
DIGITAL CRIMPING TOOL, MID SIZE

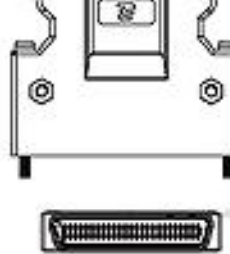


TE Part # C0-0313-000-000
CRIMPING DEVICE HC20 IN CASE

Customers Also Bought



TE Part #180409-2
FF 250 TAB 4-6MM2 PTBR LP



TE Part #1-2232346-2
SCSI .050 PLUG ASS'Y 14P



TE Part #60-0011-011-000
CONTACT SOCKET 1 MM




TE Part #60-0225-011-000
CONTACT SOCKET 3,6 MM




TE Part #61-0193-011-000
CONTACT PIN 2 MM



TE Part #BGC110N00001216000
923 RECEPTACLE, ANGLED, ROTATABLE



TE Part #2336344-1
BLMT-25/95-13-K1



TE Part #40-0985-000-000
623 INSULATION INSERT, 12-PIN



Documents

CAD Files

3D PDF

3D

Customer View Model

[ENG_CVM_CVM_CSA264N00250001000_A.2d_dxf.zip](#)

English

Customer View Model

[ENG_CVM_CVM_CSA264N00250001000_A.3d_igs.zip](#)

English

Customer View Model

[ENG_CVM_CVM_CSA264N00250001000_A.3d_stp.zip](#)

English

By downloading the CAD file I accept and agree to the [Terms and Conditions](#) of use.

Datasheets & Catalog Pages

CSA264N00250001000

English

[fuer Datenblaetter, die online konfigurierbar sind](#)

German

Product Specifications

German