



TE Internal #: CR2104-000

Splices, Closed End Splice, 22 – 14 AWG Wire Size, Splice Capacity 3 + Ground, Standard, Steel, Red, Bag, Closed, Solid Wire, Copper Wire

[View on TE.com >](#)

Terminals & Splices > Splices



Wire Size: 22 – 14 AWG

Sealable: No

Splice Capacity: 3 + Ground

Splice Features: Standard

Contact Base Material: Steel

Features

Product Type Features

Splice Accessory Type	Wire Cap
Sealable	No
Splice Type	Closed End Splice
Compatible With Discrete Wire Type	Solid
Wire Insulation Support Retention Type	Non-Insulation Support

Configuration Features

Splice Capacity	3 + Ground
Compatible With Wire & Cable Type	Discrete Wire

Electrical Characteristics

Operating Voltage	600 VAC
-------------------	---------

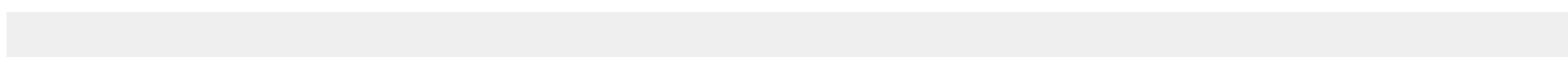
Body Features

Splice Features	Standard
Primary Product Color	Red

Contact Features

Contact Base Material	Steel
Barrel Type	Closed

Mechanical Attachment





Wire Insulation Support	Without
-------------------------	---------

Dimensions

Wire Size	22 – 14 AWG
-----------	-------------

Usage Conditions

Insulation Option	Fully Insulated
-------------------	-----------------

Operating Temperature Range	105 °C
-----------------------------	--------

Operation/Application

Compatible With Wire Base Material	Copper
------------------------------------	--------

Industry Standards

Government Qualified Splice	No
-----------------------------	----

Packaging Features

Packaging Method	Bag
------------------	-----

Product Compliance

[For compliance documentation, visit the product page on TE.com>](#)

EU RoHS Directive 2011/65/EU	Compliant
------------------------------	-----------

EU ELV Directive 2000/53/EC	Compliant
-----------------------------	-----------

China RoHS 2 Directive MIIT Order No 32, 2016	No Restricted Materials Above Threshold
---	---

EU REACH Regulation (EC) No. 1907/2006	Current ECHA Candidate List: JUNE 2023 (235) Candidate List Declared Against: JUNE 2023 (235) Does not contain REACH SVHC
--	---

Halogen Content	Low Halogen - Br, Cl, F, I < 900 ppm per homogenous material. Also BFR/CFR/PVC Free
-----------------	---

Solder Process Capability	Not reviewed for solder process capability
---------------------------	--

Product Compliance Disclaimer

This information is provided based on reasonable inquiry of our suppliers and represents our current actual knowledge based on the information they provided. This information is subject to change. The part numbers that TE has identified as EU RoHS compliant have a maximum concentration of 0.1% by weight in homogenous materials for lead, hexavalent chromium, mercury, PBB, PBDE, DBP, BBP, DEHP, DIBP, and 0.01% for cadmium, or qualify for an exemption to these limits as defined in the Annexes of Directive 2011/65/EU (RoHS2). Finished electrical and electronic equipment products will be CE marked as required by Directive 2011/65/EU. Components may not be CE marked. Additionally, the part numbers that TE has identified as EU ELV compliant have a maximum concentration of 0.1% by weight in homogenous materials for lead, hexavalent chromium, and mercury, and 0.01% for cadmium, or qualify for an exemption to these limits as defined in the Annexes of Directive 2000/53/EC (ELV). Regarding the REACH Regulation, the information TE provides on SVHC in articles for this part number is based on the latest European Chemicals Agency (ECHA) 'Guidance on requirements for substances in articles' posted at this URL: <https://echa.europa.eu/guidance-documents/guidance-on-reach>

Compatible Parts



TE Part # 2324697-2
PUSH GRIP CONNECTOR 2P



TE Part # 2324697-3
PUSH GRIP CONNECTOR 3P



TE Part # 2324697-4
PUSH GRIP CONNECTOR 4P



TE Part # 2324697-5
PUSH GRIP CONNECTOR 5P



TE Part # 2324697-6
PUSH GRIP CONNECTOR 6P



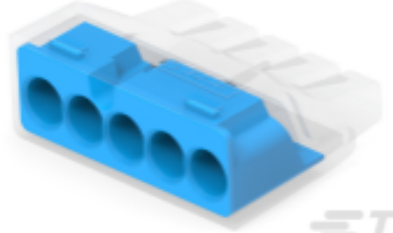
TE Part # 2388553-2
PUSH-IN CONNECTOR, 2 POS



TE Part # 2388553-3
PUSH-IN CONNECTOR, 3 POS



TE Part # 2388553-4
PUSH-IN CONNECTOR, 4 POS



TE Part # 2388553-5
PUSH-IN CONNECTOR, 5 POS

Customers Also Bought



TE Part #T4032014031-000
M8.MLE.PNLFRONT.3POS.STR



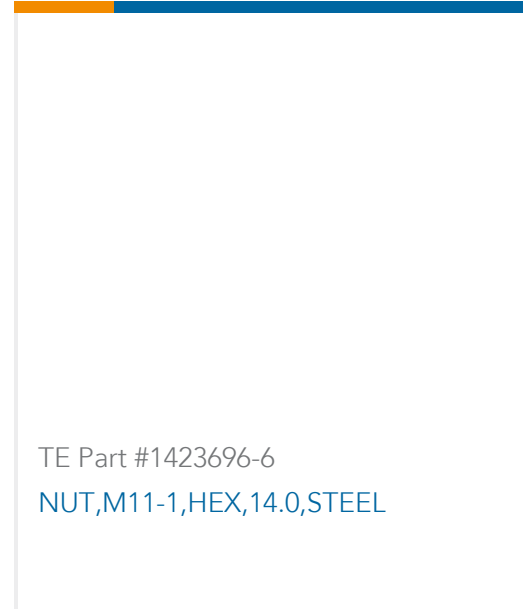
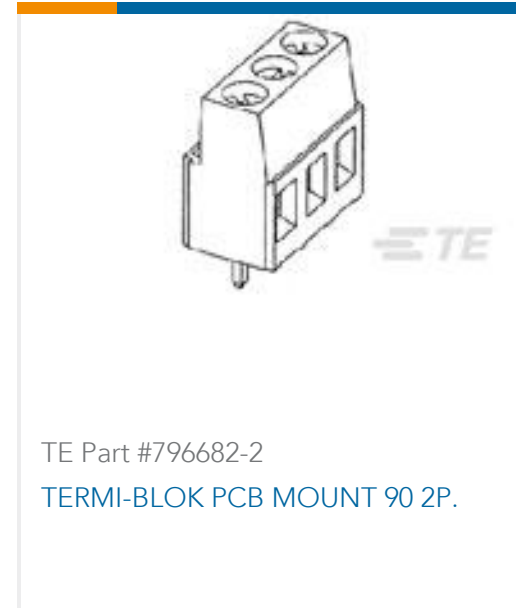
TE Part #1971903-1
OPEN TOOL, PV4 CONNECTOR



TE Part #1478762-9
METAL BACKSHELL 9 WAY TOP E



TE Part #2-324955-1
TERMINAL,SOLIS R 16-14 8



Documents

Product Drawings

[CPGI-WC-WG-RD-BULK](#)

English

Datasheets & Catalog Pages

[Twist Splice Wire Connectors flyer](#)

English

[Twist Splice wire connectors](#)