

# CONSMA018-15-G ✓ ACTIVE

TE Internal #: CONSMA018-15-G

SMA RF Interface, Jack, 50  $\Omega$ , Threaded, 18 GHz Operating

Frequency, 1 Position, Printed Circuit Board, Panel Mount, -65 – 165

$^{\circ}\text{C}$  [-85 – 329  $^{\circ}\text{F}$ ]

[View on TE.com >](#)



[Connectors](#) > [RF Connectors](#) > [Coax Connectors](#)



RF Interface: **SMA**

RF Connector Style: **Jack**

Impedance: **50  $\Omega$**

RF Connector Coupling Mechanism: **Threaded**

Operating Frequency: **18 GHz**

## Features

### Product Type Features

Connector Product Type	Connector Assembly
RF Interface	SMA
RF Connector Style	Jack
Sealable	No
Connector & Contact Terminates To	Printed Circuit Board

### Configuration Features

Number of Positions	1
Number of Coaxial Contacts	1

### Electrical Characteristics

Impedance	50 $\Omega$
-----------	-------------

### Body Features

Cable Connector Orientation	Straight
Body Material	Brass
Body Material Finish	Plated
Body Plating Material	Gold

### Contact Features

RF Connector Center Contact Plating Material	Gold
RF Connector Center Contact Material	Beryllium Copper



### Termination Features

Termination Method to Wire & Cable	Solder
------------------------------------	--------

### Mechanical Attachment

Panel Mount Feature Type	Square Flange
RF Connector Coupling Mechanism	Threaded
Connector Mounting Type	Panel Mount
RF Contact Captivation Method	Mechanical
Detent	Without

### Usage Conditions

Operating Temperature Range	-65 – 165 °C [-85 – 329 °F]
-----------------------------	-----------------------------

### Operation/Application

Operating Frequency	18 GHz
Circuit Application	Signal

### Packaging Features

Packaging Quantity	100
Packaging Method	Tray

### Other

Dielectric Material	PTFE
---------------------	------

## Product Compliance

[For compliance documentation, visit the product page on TE.com>](#)

EU RoHS Directive 2011/65/EU	Compliant with Exemptions
EU ELV Directive 2000/53/EC	Not Yet Reviewed
China RoHS 2 Directive MIIT Order No 32, 2016	Restricted Materials Above Threshold
EU REACH Regulation (EC) No. 1907/2006	<p>Current ECHA Candidate List: JUNE 2023 (235)</p> <p>Candidate List Declared Against: JUNE 2023 (235)</p> <p>SVHC &gt; Threshold:</p> <p>Pb (4% in Component Part)</p> <p><b>Article Safe Usage Statements:</b>                      Do not eat, drink or smoke when using this product. Wash thoroughly after handling. Recycle if possible and dispose of the article by following all applicable governmental regulations relevant to your geographic location.</p>
Halogen Content	Low Bromine/Chlorine - Br and Cl < 900 ppm per homogenous material. Also BFR /CFR/PVC Free

Solder Process Capability

Not reviewed for solder process capability

Product Compliance Disclaimer

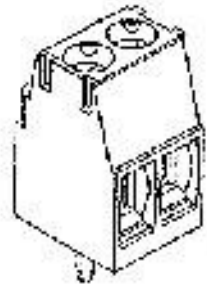
This information is provided based on reasonable inquiry of our suppliers and represents our current actual knowledge based on the information they provided. This information is subject to change. The part numbers that TE has identified as EU RoHS compliant have a maximum concentration of 0.1% by weight in homogenous materials for lead, hexavalent chromium, mercury, PBB, PBDE, DBP, BBP, DEHP, DIBP, and 0.01% for cadmium, or qualify for an exemption to these limits as defined in the Annexes of Directive 2011/65/EU (RoHS2). Finished electrical and electronic equipment products will be CE marked as required by Directive 2011/65/EU. Components may not be CE marked. Additionally, the part numbers that TE has identified as EU ELV compliant have a maximum concentration of 0.1% by weight in homogenous materials for lead, hexavalent chromium, and mercury, and 0.01% for cadmium, or qualify for an exemption to these limits as defined in the Annexes of Directive 2000/53/EC (ELV). Regarding the REACH Regulations, TE's information on SVHC in articles for this part number is still based on the European Chemical Agency (ECHA) 'Guidance on requirements for substances in articles' (Version: 2, April 2011), applying the 0.1% weight on weight concentration threshold at the finished product level. TE is aware of the European Court of Justice ruling of September 10th, 2015 also known as O5A (Once An Article Always An Article) stating that, in case of 'complex object', the threshold for a SVHC must be applied to both the product as a whole and simultaneously to each of the articles forming part of its composition. TE has evaluated this ruling based on the new ECHA "Guidance on requirements for substances in articles" (June 2017, version 4.0) and will be updating its statements accordingly.

### Compatible Parts

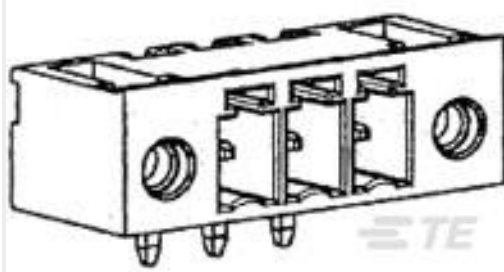


TE Part # L9000274-01  
SMA Plug 50 Ohm .031 PCB Edge Mount

### Customers Also Bought



TE Part #284392-2  
TERMI-BLOK PCB SIDE ENTRY STAC



TE Part #284539-2  
2 POS TERMI-BLOK 900 W.S.F. 3,



TE Part #534206-2  
04 MODII VRT DR CE 100/115



TE Part #2-2213772-7  
AV22 SPL 5A MOVE RING LED RED 24V



TE Part #2176348-6  
CRGCO 2010 6R8 5%



TE Part #CONMHF1-SMD-G-T  
U.FL/MHF1 Jack 50 Ohm PCB Surface Mount



TE Part #CONMMCX002  
MMCX Jack 50 Ohm PCB Through Hole



TE Part #CON SMA022-G  
SMA Jack 50 Ohm PCB Edge Mount



## Documents

### Product Drawings

[SMA Jack 50 Ohm Panel Mount](#)

English

### Datasheets & Catalog Pages

[SMA FEMALE FLANGE MOUNT EXTENDED, GOLD](#)

English