

CONN001-W ✓ ACTIVE

TE Internal #: CONN001-W

N Type RF Interface, Jack, 50 Ω , Threaded, 11 GHz Operating Frequency, 1 Position, Sealable, Printed Circuit Board, Panel Mount

[View on TE.com >](#)



Connectors > RF Connectors > Coax Connectors



RF Interface: **N Type**

RF Connector Style: **Jack**

Impedance: **50 Ω**

RF Connector Coupling Mechanism: **Threaded**

Operating Frequency: **11 GHz**

Features

Product Type Features

Connector Product Type	Connector Assembly
Connector Seal & Plug Type	O-Ring
RF Interface	N Type
RF Connector Style	Jack
Sealable	Yes
Connector & Contact Terminates To	Printed Circuit Board

Configuration Features

Number of Positions	1
Number of Coaxial Contacts	1

Electrical Characteristics

Impedance	50 Ω
-----------	-------------

Body Features

Cable Connector Orientation	Straight
Body Material	Brass
Body Material Finish	Plated
Body Plating Material	White Bronze

Contact Features

RF Connector Center Contact Plating Material	Gold
--	------



RF Connector Center Contact Material	Beryllium Copper
--------------------------------------	------------------

Termination Features

Termination Method to Wire & Cable	Solder
------------------------------------	--------

Mechanical Attachment

RF Connector Coupling Mechanism	Threaded
---------------------------------	----------

Connector Mounting Type	Panel Mount
-------------------------	-------------

RF Contact Captivation Method	Mechanical
-------------------------------	------------

Detent	Without
--------	---------

Usage Conditions

Operating Temperature Range	-60 – 165 °C[-76 – 329 °F]
-----------------------------	----------------------------

Operation/Application

Operating Frequency	11 GHz
---------------------	--------

Circuit Application	Signal
---------------------	--------

Packaging Features

Packaging Quantity	120
--------------------	-----

Packaging Method	Bulk
------------------	------

Other

Lockwasher Material	Brass
---------------------	-------

Gasket Material	Silicone Rubber
-----------------	-----------------

Dielectric Material	PTFE
---------------------	------

Product Compliance

[For compliance documentation, visit the product page on TE.com>](#)

EU RoHS Directive 2011/65/EU	Compliant
------------------------------	-----------

EU ELV Directive 2000/53/EC	Not Yet Reviewed
-----------------------------	------------------

China RoHS 2 Directive MIIT Order No 32, 2016	No Restricted Materials Above Threshold
---	---

EU REACH Regulation (EC) No. 1907/2006	Current ECHA Candidate List: JUNE 2023 (235) Candidate List Declared Against: JUNE 2023 (235) Does not contain REACH SVHC
--	---

Halogen Content	Low Halogen - Br, Cl, F, I < 900 ppm per homogenous material. Also BFR/CFR/PVC Free
-----------------	---

Solder Process Capability

Not reviewed for solder process capability

Product Compliance Disclaimer

This information is provided based on reasonable inquiry of our suppliers and represents our current actual knowledge based on the information they provided. This information is subject to change. The part numbers that TE has identified as EU RoHS compliant have a maximum concentration of 0.1% by weight in homogenous materials for lead, hexavalent chromium, mercury, PBB, PBDE, DBP, BBP, DEHP, DIBP, and 0.01% for cadmium, or qualify for an exemption to these limits as defined in the Annexes of Directive 2011/65/EU (RoHS2). Finished electrical and electronic equipment products will be CE marked as required by Directive 2011/65/EU. Components may not be CE marked. Additionally, the part numbers that TE has identified as EU ELV compliant have a maximum concentration of 0.1% by weight in homogenous materials for lead, hexavalent chromium, and mercury, and 0.01% for cadmium, or qualify for an exemption to these limits as defined in the Annexes of Directive 2000/53/EC (ELV). Regarding the REACH Regulations, TE's information on SVHC in articles for this part number is still based on the European Chemical Agency (ECHA) 'Guidance on requirements for substances in articles' (Version: 2, April 2011), applying the 0.1% weight on weight concentration threshold at the finished product level. TE is aware of the European Court of Justice ruling of September 10th, 2015 also known as O5A (Once An Article Always An Article) stating that, in case of 'complex object', the threshold for a SVHC must be applied to both the product as a whole and simultaneously to each of the articles forming part of its composition. TE has evaluated this ruling based on the new ECHA "Guidance on requirements for substances in articles" (June 2017, version 4.0) and will be updating its statements accordingly.

Compatible Parts



TE Part # ADP-NM-NF-R-W
N Plug to N Jack RA



TE Part # ADP-RPSF-NM
RP-SMA Jack to N Type Plug



TE Part # ANT-450-HSW-NP
Antenna HSW 450 IP67 N Jack



TE Part # ANT-5GW-IPW1-NP
Antenna Whip 5G WB Cell IP67 N Plug



TE Part # ANT-5GW-IPW2-NP
Antenna Whip 5G WB Cell IP67 N Plug




TE Part # ANT-5GW-IPW3-NP
Antenna 5GW LPWA ISM IP67 N-Plug



TE Part # ANT-5GW-SPNF1
Antenna 5G WB Cell Dome IP67 N Jack



TE Part # L9000142-01
Antenna 868/915 LPWA Dome IP67 N Jack



TE Part # ANT-DB1-LP-RM-01-N
Antenna Directional Tri-Band Hi-Gain N



TE Part # ANT-MAG-RPSF-NM-1
Magnetic Base RPS Jack MR195 1M N Plug



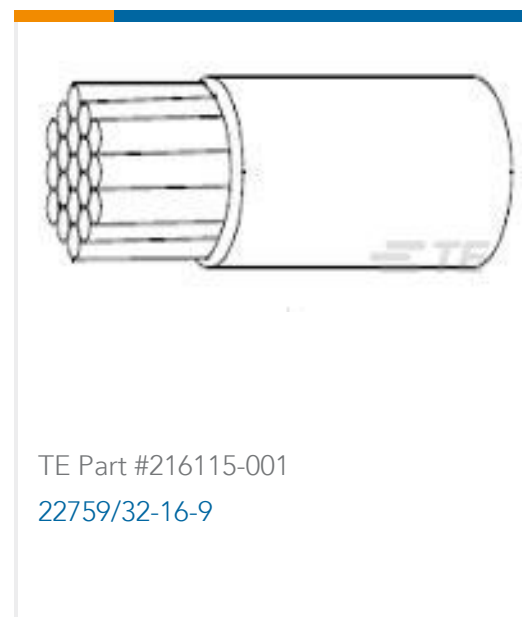
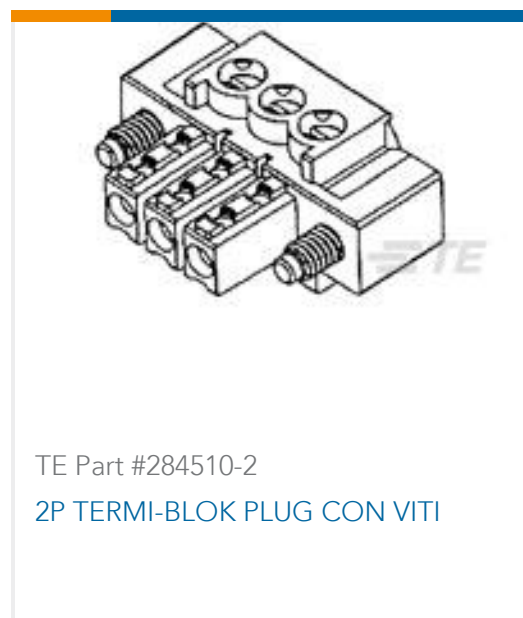
TE Part # ANT-MAG-SMAF-NM-1
Magnetic Base SMA Jack MR195 1M N Plug



TE Part # ANT-W63-IPW1-NP
Antenna WIFI6/6E IP67 Whip N Plug



Customers Also Bought



Documents



Product Drawings

[N Type Jack 50 Ohm PCB Through Hole](#)

English

Datasheets & Catalog Pages

[N Bulkhead Jack PCB Through Hole Connector](#)

English