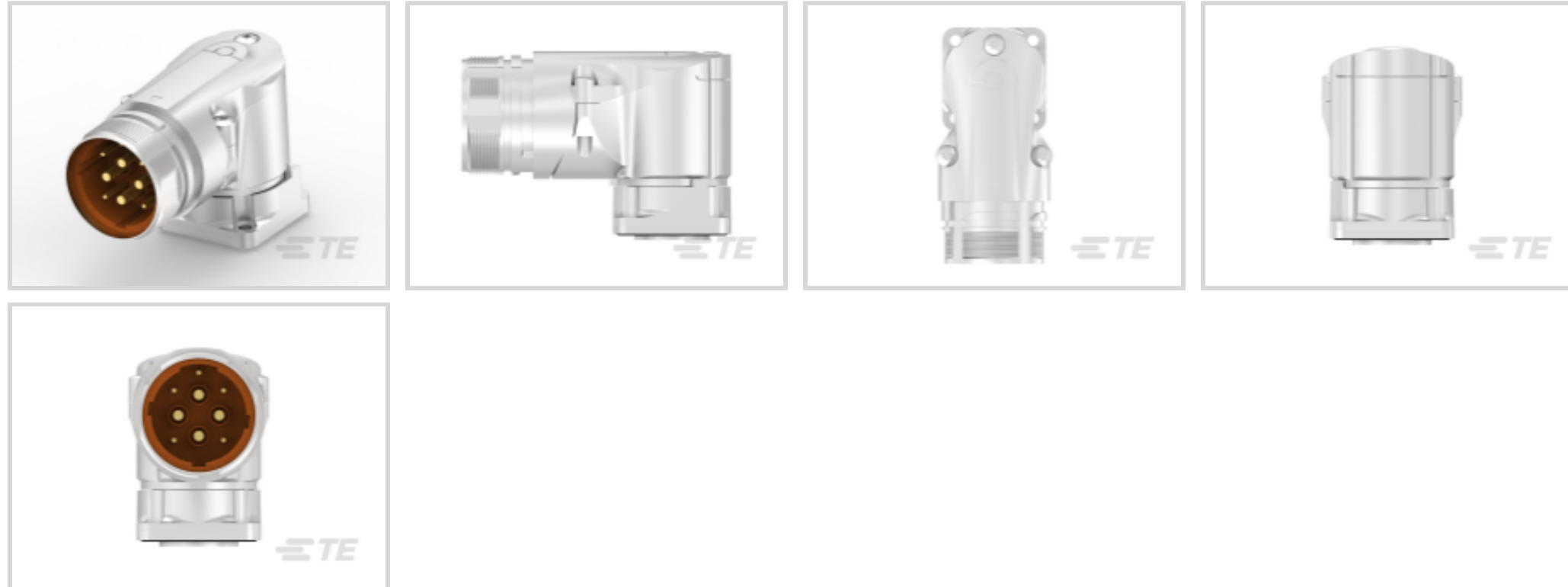




Connectors > Circular Connectors > Standard Circular Connectors



Connector System: **Cable-to-Panel**

Sealable: **No**

Circuit Application: **Power**

Connector Mounting Type: **Panel Mount**

Shell Plating Material: **Collinox**

Features

Product Type Features

Product Type	Connector Assembly
Connector System	Cable-to-Panel
Sealable	No
Circular Connector Type	Receptacle
Shell Type	Metal

Electrical Characteristics

Operating Voltage	250 VAC, 630 VAC
-------------------	------------------

Body Features

Environmental Protection	IP67
Shell Plating Material	Collinox
Shell Base Material	Zinc Alloy
Circular Connector Insulation Material Type	PA66

Mechanical Attachment

Mating Retention Type	Speedtec (Triple Start Threaded)
Panel Mount Feature Type	Flange with Mounting Holes



Connector Mounting Type	Panel Mount
-------------------------	-------------

Housing Features

Circular Connector Shell Size	40
-------------------------------	----

Usage Conditions

Operating Temperature Range	-20 – 130 °C[-4 – 266 °F]
-----------------------------	---------------------------

Operation/Application

Durability Rating	500 Cycles
Circuit Application	Power
Shielded	Yes

Industry Standards

UL Flammability Rating	UL 94V-0
Approved Standards	UL

Product Compliance

[For compliance documentation, visit the product page on TE.com>](#)

EU RoHS Directive 2011/65/EU	Compliant with Exemptions
EU ELV Directive 2000/53/EC	Compliant with Exemptions
China RoHS 2 Directive MIIT Order No 32, 2016	Restricted Materials Above Threshold
EU REACH Regulation (EC) No. 1907/2006	Current ECHA Candidate List: JUNE 2023 (235) Candidate List Declared Against: JAN 2023 (233) SVHC > Threshold: Pb (3.5% in Component) Article Safe Usage Statements: Do not eat, drink or smoke when using this product. Wash thoroughly after handling. Recycle if possible and dispose of the article by following all applicable governmental regulations relevant to your geographic location.
Halogen Content	Not Yet Reviewed for halogen content
Solder Process Capability	Not reviewed for solder process capability

Product Compliance Disclaimer


This information is provided based on reasonable inquiry of our suppliers and represents our current actual knowledge based on the information they provided. This information is subject to change. The part numbers that TE has identified as EU RoHS compliant have a maximum concentration of 0.1% by weight in homogenous materials for lead, hexavalent chromium, mercury, PBB, PBDE, DBP, BBP, DEHP, DIBP, and 0.01% for cadmium, or qualify for an exemption to these limits as defined in the Annexes of Directive 2011/65/EU (RoHS2). Finished electrical and electronic equipment products will be CE marked as required by Directive 2011/65/EU. Components may not be CE marked. Additionally, the part numbers that TE has identified as EU ELV compliant have a maximum concentration of 0.1% by weight in homogenous materials for lead, hexavalent chromium, and mercury, and 0.01% for cadmium, or qualify for an exemption to these limits as defined in the Annexes of Directive 2000/53/EC (ELV). Regarding the REACH Regulation, the information TE provides

on SVHC in articles for this part number is based on the latest European Chemicals Agency (ECHA) 'Guidance on requirements for substances in articles' posted at this URL: <https://echa.europa.eu/guidance-documents/guidance-on-reach>

Compatible Parts



TE Part # CSA264N00450020000
940 PLUG, SPEEDTEC



TE Part # C0-0008-000-000
CRIMPING TOOL LARGE



TE Part # C0-0009-000-000
POSITIONING INSERT FOR 2 MM CONTACTS



TE Part # C0-0201-000-000
CRIMPING TOOL MID-SIZE



TE Part # C0-0236-000-000
DIGITAL CRIMPING TOOL, MID SIZE



TE Part # C0-0247-000-000
POSITIONING INSERT FOR 3.6 MM CONTACTS



TE Part # C0-0313-000-000
CRIMPING DEVICE HC20 IN CASE

Customers Also Bought



TE Part #61-0197-011-000
CONTACT PIN 2 MM



TE Part #61-0312-011-000
CONTACT PIN 3.6 MM




TE Part #AEA000N00000101000
623 RECEPTACLE, SPEEDTEC



TE Part #BGC091N00001100000
923 RECEPTACLE, ANGLED, ROTATABLE



TE Part #BGC110N00001216000
923 RECEPTACLE, ANGLED, ROTATABLE



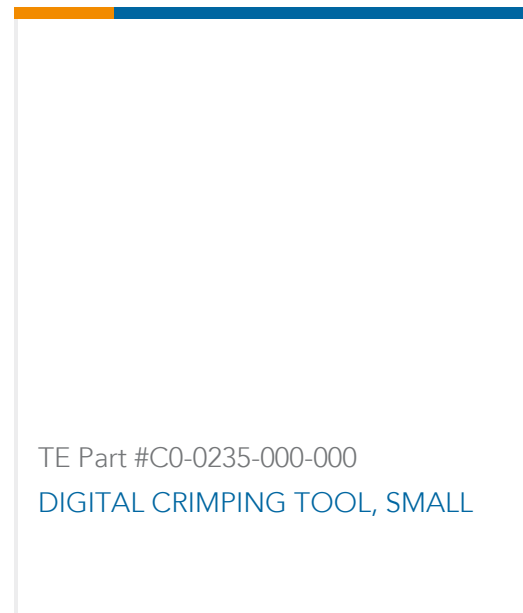
TE Part #40-0071-000-000
623 INSULATION INSERT, 9-PIN



TE Part #61-0176-011-000
CONTACT PIN 2.5 MM



TE Part #AEN113N00000037000
623 RECEPTACLE



Documents

CAD Files

[3D PDF](#)

[3D](#)

Customer View Model

[ENG_CVM_CVM_CGE271N00000020000_A.2d_dxf.zip](#)

English

Customer View Model

[ENG_CVM_CVM_CGE271N00000020000_A.3d_igs.zip](#)

English

Customer View Model

[ENG_CVM_CVM_CGE271N00000020000_A.3d_stp.zip](#)

English

By downloading the CAD file I accept and agree to the [Terms and Conditions](#) of use.

Datasheets & Catalog Pages

[fuer Datenblaetter, die online konfigurierbar sind](#)

German

[CGE271N00000020000](#)

English

Product Specifications

German