



RAYCHEM

TE Internal #: CF0024-000

Heat Shrink Equipment, Discrete, Worldwide, SolderSleeves, Heating Tool, 220 V, IR-1759 MiniRay Infrared Heating Tool

[View on TE.com >](#)

Application Tooling > Heat Shrink Equipment



Equipment Processing Type: **Discrete**

Heat Shrink Equipment Region: **Worldwide**

Heat Shrink Equipment Application: **SolderSleeves**

Tooling Type: **Heating Tool**

Operating Voltage: **220 V**

Features

Product Type Features

Spare Parts Tooling Type	IR-1759 MiniRay Infrared Heating Tool
--------------------------	---------------------------------------

Electrical Characteristics

Operating Voltage	220 V
-------------------	-------

Product Availability

Heat Shrink Equipment Region	Worldwide
------------------------------	-----------

Other

Equipment Processing Type	Discrete
Heat Shrink Equipment Application	SolderSleeves
Tooling Type	Heating Tool

Product Compliance

[For compliance documentation, visit the product page on TE.com>](#)

EU RoHS Directive 2011/65/EU	Compliant
EU ELV Directive 2000/53/EC	Compliant
China RoHS 2 Directive MIIT Order No 32, 2016	No Restricted Materials Above Threshold
EU REACH Regulation (EC) No. 1907/2006	Current ECHA Candidate List: JAN 2023 (233) Candidate List Declared Against: JAN 2023 (233)



Does not contain REACH SVHC

Halogen Content

Low Halogen - Br, Cl, F, I < 900 ppm per homogenous material. Also BFR/CFR/PVC Free

Solder Process Capability

Not applicable for solder process capability

Product Compliance Disclaimer

This information is provided based on reasonable inquiry of our suppliers and represents our current actual knowledge based on the information they provided. This information is subject to change. The part numbers that TE has identified as EU RoHS compliant have a maximum concentration of 0.1% by weight in homogenous materials for lead, hexavalent chromium, mercury, PBB, PBDE, DBP, BBP, DEHP, DIBP, and 0.01% for cadmium, or qualify for an exemption to these limits as defined in the Annexes of Directive 2011/65/EU (RoHS2). Finished electrical and electronic equipment products will be CE marked as required by Directive 2011/65/EU. Components may not be CE marked. Additionally, the part numbers that TE has identified as EU ELV compliant have a maximum concentration of 0.1% by weight in homogenous materials for lead, hexavalent chromium, and mercury, and 0.01% for cadmium, or qualify for an exemption to these limits as defined in the Annexes of Directive 2000/53/EC (ELV). Regarding the REACH Regulation, the information TE provides on SVHC in articles for this part number is based on the latest European Chemicals Agency (ECHA) 'Guidance on requirements for substances in articles' posted at this URL: <https://echa.europa.eu/guidance-documents/guidance-on-reach>

Compatible Parts



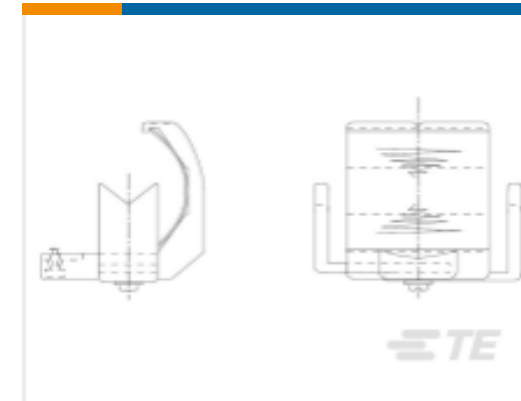
TE Part # CF0026-000
ED-7-CONT-230/110V-MK4



TE Part # CF0025-000
IR1759-MK4/A



TE Part # 966953-000
AE-897-MIN



TE Part # 934630-000
AT-3134/AE-897

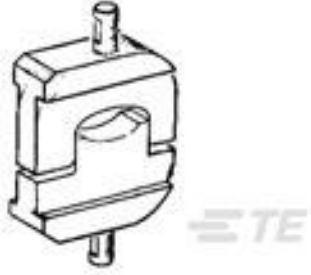


TE Part # CF0199-000
ED-7-001-MK4-230V-50HZ

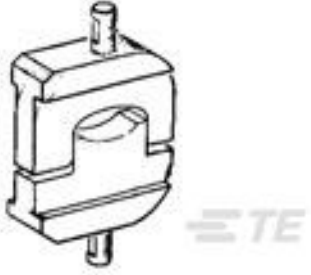
Customers Also Bought



TE Part #YACT26ME35SA000000
STRAIGHT PLUG



TE Part #45442
HYP8/10 SOLIS 3/0AWG DIE SET



TE Part #45433
HYP8/10 SOLIS 2AWG DIE SET




TE Part #ZPF000000000141045
983-6S 08-06 SN



TE Part #401723-000
HEX40-AC-00-21-A9-2



TE Part #6-1879745-1
RP 1J 2K32 0.1% 15PPM CUT LENGTH



TE Part #988300-000
AT-3131

TE Part #AAC0987-00
PC426HP-BT3-19-70FS-SN-1-ZN

TE Part #ZPF000000000203048
781-8142-03

TE Part #EQ10863001
VG-95218-T020-E089CK8600

Documents

Datasheets & Catalog Pages

[Raychem Application Tooling](#)

English

Product Specifications

[Operation and Maintenance Manual for Miniray Handtools and Controllers](#)

English

Agency Approvals

[CE Declaration of Conformity](#)

English

[CE Declaration of Conformity](#)

French

[CE Declaration of Conformity](#)

German

[CE Declaration of Conformity](#)

[CE Declaration of Conformity](#)

[CE Declaration of Conformity](#)



English