

BSTA085NN00480235000 ✓ ACTIVE

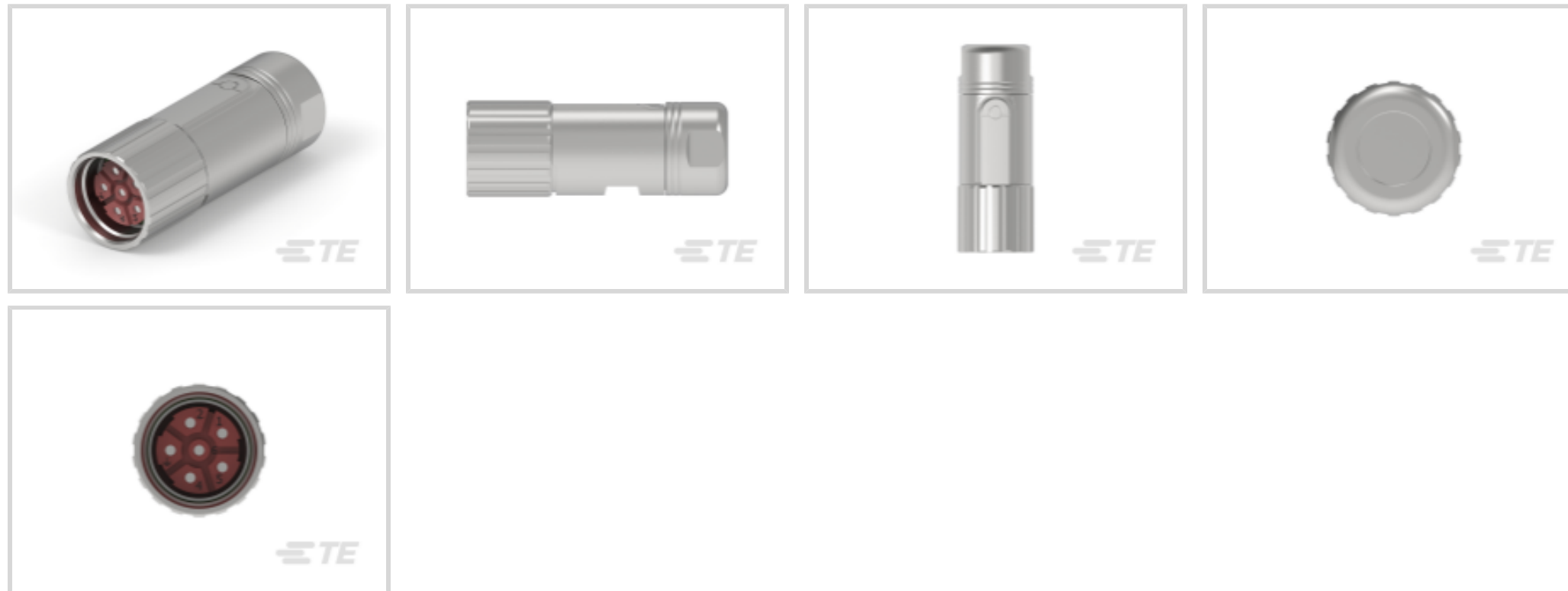
TE Internal #: BSA085N00480235000

Standard Circular Connectors, Cable-to-Cable, Power, Cable Mount (Free-Hanging), Electrodeposited Nickel, Zinc Alloy, PBT GF, Size 23, Shielded, Plug

[View on TE.com >](#)



Connectors > Circular Connectors > Standard Circular Connectors



Connector System: **Cable-to-Cable**

Sealable: **No**

Circuit Application: **Power**

Connector Mounting Type: **Cable Mount (Free-Hanging)**

Shell Plating Material: **Electrodeposited Nickel**

Features

Product Type Features

Product Type	Connector Assembly
Connector System	Cable-to-Cable
Sealable	No
Circular Connector Type	Plug
Shell Type	Metal

Electrical Characteristics

Operating Voltage	630 VAC
-------------------	---------

Body Features

Environmental Protection	IP67
Shell Plating Material	Electrodeposited Nickel
Shell Base Material	Zinc Alloy
Circular Connector Insulation Material Type	PBT GF

Mechanical Attachment

Mating Retention Type	Screw
-----------------------	-------



Connector Mounting Type

Cable Mount (Free-Hanging)

Housing Features

Circular Connector Shell Size

23

Alignment Keyed

0°

Dimensions

Cable Diameter Range

7.5 – 12 mm [.29 – .47 in]

Usage Conditions

Operating Temperature Range

-20 – 130 °C [-4 – 266 °F]

Operation/Application

Durability Rating

500 Cycles

Circuit Application

Power

Shielded

Yes

Industry Standards

UL Flammability Rating

UL 94V-0

Approved Standards

UL

Product Compliance

For compliance documentation, visit the product page on TE.com>

EU RoHS Directive 2011/65/EU

Compliant with Exemptions

EU ELV Directive 2000/53/EC

Not Yet Reviewed

China RoHS 2 Directive MIIT Order No 32, 2016

Restricted Materials Above Threshold

EU REACH Regulation (EC) No. 1907/2006

Current ECHA Candidate List: JUNE 2023 (235)

Candidate List Declared Against: JUNE 2022 (224)

SVHC > Threshold:

Pb (3.5% in component)

Article Safe Usage Statements:

Do not eat, drink or smoke when using this product. Wash thoroughly after handling. Recycle if possible and dispose of the article by following all applicable governmental regulations relevant to your geographic location.

Halogen Content

Not Yet Reviewed for halogen content

Solder Process Capability


Not reviewed for solder process capability

Product Compliance Disclaimer

This information is provided based on reasonable inquiry of our suppliers and represents our current actual knowledge based on the information they provided. This information is subject to change. The part numbers that TE has identified as EU RoHS compliant have a maximum concentration of 0.1% by weight in homogenous materials for lead, hexavalent chromium, mercury, PBB, PBDE, DBP, BBP, DEHP, DIBP, and 0.01% for cadmium, or qualify for an exemption to these

limits as defined in the Annexes of Directive 2011/65/EU (RoHS2). Finished electrical and electronic equipment products will be CE marked as required by Directive 2011/65/EU. Components may not be CE marked. Additionally, the part numbers that TE has identified as EU ELV compliant have a maximum concentration of 0.1% by weight in homogenous materials for lead, hexavalent chromium, and mercury, and 0.01% for cadmium, or qualify for an exemption to these limits as defined in the Annexes of Directive 2000/53/EC (ELV). Regarding the REACH Regulation, the information TE provides on SVHC in articles for this part number is based on the latest European Chemicals Agency (ECHA) 'Guidance on requirements for substances in articles' posted at this URL: <https://echa.europa.eu/guidance-documents/guidance-on-reach>

Compatible Parts

 <p>TE Part # BGA106N00001216000 923 RECEPTACLE, ANGLED, ROTATABLE</p>	 <p>TE Part # BGC106N00001200000 923 RECEPTACLE, ANGLED, ROTATABLE</p>	 <p>TE Part # BGC106N00001215000 923 RECEPTACLE, ANGLED, ROTATABLE</p>	 <p>TE Part # BGC106N00001216000 923 RECEPTACLE, ANGLED, ROTATABLE</p>
 <p>TE Part # BEA088N00000222000 923 RECEPTACLE, SPEEDTEC-READY</p>	 <p>TE Part # BEA116N00000200000 923 RECEPTACLE, SPEEDTEC-READY</p>	 <p>TE Part # BEA127N00000205000 923 RECEPTACLE, SPEEDTEC-READY</p>	 <p>TE Part # BFC106N00000207000 923 RECEPTACLE, ANGLED</p>
 <p>TE Part # BKA186N00480200000 923 EXTENSION, SPEEDTEC-READY</p>	 <p>TE Part # C0-0004-000-000 POSITIONING INSERT FOR 2 MM CONTACTS</p>	 <p>TE Part # C0-0201-000-000 CRIMPING TOOL MID-SIZE</p>	 <p>TE Part # C0-0236-000-000 DIGITAL CRIMPING TOOL, MID SIZE</p>

Customers Also Bought

 <p>TE Part #60-0225-011-000 CONTACT SOCKET 3,6 MM</p>	 <p>TE Part #60-0254-011-000 CONTACT SOCKET 2 MM</p>	 <p>TE Part #ASA035N00620235000 623 PLUG</p>	 <p>TE Part #BEA116N00000200000 923 RECEPTACLE, SPEEDTEC-READY</p>
---	--	---	---



Documents

Product Drawings

923 PLUG

English

CAD Files

3D PDF

3D

Customer View Model

[ENG_CVM_CVM_BSA085N00480235000_A.2d_dxf.zip](#)

English

Customer View Model

[ENG_CVM_CVM_BSA085N00480235000_A.3d_igs.zip](#)

English

Customer View Model

[ENG_CVM_CVM_BSA085N00480235000_A.3d_stp.zip](#)

English

By downloading the CAD file I accept and agree to the [Terms and Conditions](#) of use.

Datasheets & Catalog Pages

fuer Datenblaetter, die online konfigurierbar sind

German

[BSA085N00480235000](#)

English

Product Specifications

German