

# ARR-NF-NM-B ✓ ACTIVE

TE Internal #: ARR-NF-NM-B

In-Series Adapter, Straight, N Type, Jack Side A, N Type, Jack Side B, 2 Position

[View on TE.com >](#)



Connectors > Connector Accessories > Connector Savers & Adapters



Connector Interface Adapter Type: **In-Series Adapter**

Body Orientation: **Straight**

Side A Interface: **N Type**

Side A Gender: **Jack**

Side B Interface: **N Type**

## Features

### Product Type Features

Connector Interface Adapter Type	In-Series Adapter
Side A Interface	N Type
Side A Gender	Jack
Side B Interface	N Type
Side B Gender	Jack
Connector System	Cable-to-Cable
Sealable	Yes

### Configuration Features

Number of Positions	2
---------------------	---

### Electrical Characteristics

Impedance	50 $\Omega$
-----------	-------------

### Body Features

Seal Material	Silicone
Hermetically Sealed	No
Body Plating Material	Nickel
Body Material	Brass

### Contact Features

Contact Mating Area Plating Material	Gold
--------------------------------------	------



### Mechanical Attachment

RF Contact Captivation Method	Mechanical
Connector Mounting Type	Panel Mount

### Housing Features

Body Orientation	Straight
------------------	----------

### Product Compliance

[For compliance documentation, visit the product page on TE.com>](#)

EU RoHS Directive 2011/65/EU	Compliant with Exemptions
EU ELV Directive 2000/53/EC	Not Yet Reviewed
China RoHS 2 Directive MIIT Order No 32, 2016	Restricted Materials Above Threshold
EU REACH Regulation (EC) No. 1907/2006	Current ECHA Candidate List: JUNE 2023 (235) Not Yet Reviewed
Halogen Content	Not Yet Reviewed for halogen content
Solder Process Capability	Not reviewed for solder process capability

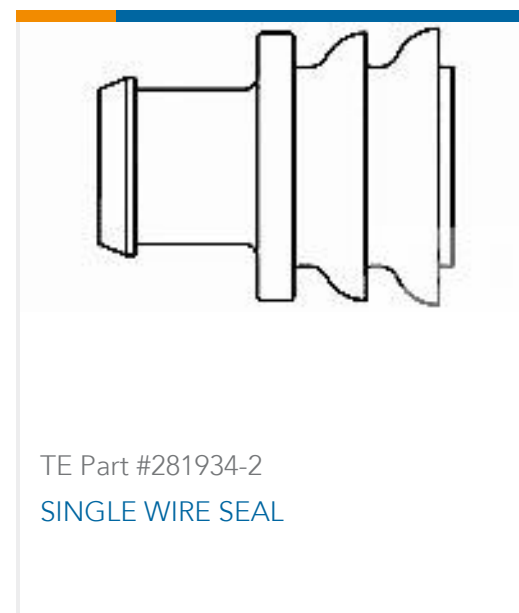
#### Product Compliance Disclaimer

This information is provided based on reasonable inquiry of our suppliers and represents our current actual knowledge based on the information they provided. This information is subject to change. The part numbers that TE has identified as EU RoHS compliant have a maximum concentration of 0.1% by weight in homogenous materials for lead, hexavalent chromium, mercury, PBB, PBDE, DBP, BBP, DEHP, DIBP, and 0.01% for cadmium, or qualify for an exemption to these limits as defined in the Annexes of Directive 2011/65/EU (RoHS2). Finished electrical and electronic equipment products will be CE marked as required by Directive 2011/65/EU. Components may not be CE marked. Additionally, the part numbers that TE has identified as EU ELV compliant have a maximum concentration of 0.1% by weight in homogenous materials for lead, hexavalent chromium, and mercury, and 0.01% for cadmium, or qualify for an exemption to these limits as defined in the Annexes of Directive 2000/53/EC (ELV). Regarding the REACH Regulations, TE's information on SVHC in articles for this part number is still based on the European Chemical Agency (ECHA) 'Guidance on requirements for substances in articles' (Version: 2, April 2011), applying the 0.1% weight on weight concentration threshold at the finished product level. TE is aware of the European Court of Justice ruling of September 10th, 2015 also known as O5A (Once An Article Always An Article) stating that, in case of 'complex object', the threshold for a SVHC must be applied to both the product as a whole and simultaneously to each of the articles forming part of its composition. TE has evaluated this ruling based on the new ECHA "Guidance on requirements for substances in articles" (June 2017, version 4.0) and will be updating its statements accordingly.

### Compatible Parts



## Customers Also Bought



## Documents

### Product Drawings

[Arrestor Blkhd N Jack to N Plug](#)

English

### Datasheets & Catalog Pages

[N Plug to N Jack Sealed Bulkhead Lightning Arrester](#)

English