

# ANT-GPS-SH2-MCX × OBSOLETE

TE Internal #: ANT-GPS-SH2-MCX

TE Internal Description: Antenna GPS ExtMag RG174 3M SMCX

[View on TE.com >](#)



Antennas



Wireless Application: **GNSS, GPS**

Mounting Location: **Remote**

Mounting Type: **Magnet**

Antenna Termination: **MMCX**

Antenna Type: **Module**

## Features

### Product Type Features

Antenna Termination	MMCX
---------------------	------

### Configuration Features

Antenna Style	Disk-Puck
---------------	-----------

Mounting Location	Remote
-------------------	--------

Antenna Type	Module
--------------	--------

Band Type	Dual Band
-----------	-----------

Port Configuration	Single Port
--------------------	-------------

### Electrical Characteristics

VSWR (Max)	<1.5:1
------------	--------

Impedance	50 $\Omega$
-----------	-------------

### Signal Characteristics

Gain (Max)	5 dB
------------	------

Frequency Band	1553 – 1609 MHz
----------------	-----------------

Nominal Frequency Range	1164 – 1610
-------------------------	-------------

Peak Gain	> 6 dBi
-----------	---------

### Body Features

Product Weight	79 g[2.78659 oz]
----------------	------------------

### Mechanical Attachment

Polarization	RHCP
--------------	------

Mounting Type

Magnet

### Dimensions

Cable Length

3 m[9.84 ft]

Product Width

36.5 mm[1.44 in]

Product Length

45 mm[1.77 in]

Product Height

12.5 mm[.49 in]

### Operation/Application

Directionality

Directional

### Industry Standards

Wireless Application

GNSS, GPS

Primary Application

GNSS, GPS

### Product Compliance

[For compliance documentation, visit the product page on TE.com>](#)

EU RoHS Directive 2011/65/EU

Not Yet Reviewed

EU ELV Directive 2000/53/EC

Not Yet Reviewed

China RoHS 2 Directive MIIT Order No 32, 2016

Not reviewed for China RoHS compliance

EU REACH Regulation (EC) No. 1907/2006

Current ECHA Candidate List: JUNE 2023  
(235)  
Not Yet Reviewed

Halogen Content

Not Yet Reviewed for halogen content

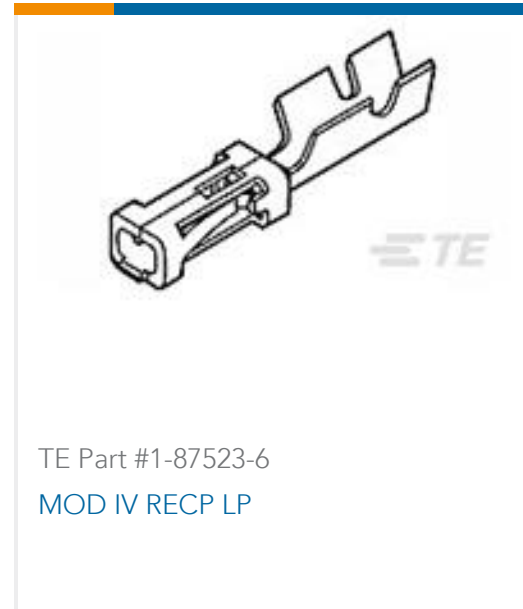
Solder Process Capability

Not reviewed for solder process capability

#### Product Compliance Disclaimer

This information is provided based on reasonable inquiry of our suppliers and represents our current actual knowledge based on the information they provided. This information is subject to change. The part numbers that TE has identified as EU RoHS compliant have a maximum concentration of 0.1% by weight in homogenous materials for lead, hexavalent chromium, mercury, PBB, PBDE, DBP, BBP, DEHP, DIBP, and 0.01% for cadmium, or qualify for an exemption to these limits as defined in the Annexes of Directive 2011/65/EU (RoHS2). Finished electrical and electronic equipment products will be CE marked as required by Directive 2011/65/EU. Components may not be CE marked. Additionally, the part numbers that TE has identified as EU ELV compliant have a maximum concentration of 0.1% by weight in homogenous materials for lead, hexavalent chromium, and mercury, and 0.01% for cadmium, or qualify for an exemption to these limits as defined in the Annexes of Directive 2000/53/EC (ELV). Regarding the REACH Regulations, TE's information on SVHC in articles for this part number is still based on the European Chemical Agency (ECHA) 'Guidance on requirements for substances in articles' (Version: 2, April 2011), applying the 0.1% weight on weight concentration threshold at the finished product level. TE is aware of the European Court of Justice ruling of September 10th, 2015 also known as O5A (Once An Article Always An Article) stating that, in case of 'complex object', the threshold for a SVHC must be applied to both the product as a whole and simultaneously to each of the articles forming part of its composition. TE has evaluated this ruling based on the new ECHA "Guidance on requirements for substances in articles" (June 2017, version 4.0) and will be updating its statements accordingly.

## Customers Also Bought



## Documents

### Product Drawings

[Antenna GPS ExtMag RG174 3M SMCX](#)

English

### Datasheets & Catalog Pages

[ANT-GPS-SH2-ccc](#)

English