

ANT-B5-CW-QW-SMA ✓ ACTIVE

TE Internal #: ANT-B5-CW-QW-SMA

Whip Antenna, Single Band, LTE / 5G / Cellular, External Mount, Connector, SMA, Omnidirectional, Single Port, Gain 0 < 3 dBi

[View on TE.com >](#)



Antennas



Wireless Application: **5G, Cat-M/NB-IoT, Cellular, LTE**

Mounting Location: **External**

Mounting Type: **Connector**

Antenna Termination: **SMA**

Antenna Type: **Whip**

Features

Product Type Features

Antenna Termination	SMA
---------------------	-----

Configuration Features

Antenna Style	Whip
Mounting Location	External
Antenna Type	Whip
Band Type	Single Band
Port Configuration	Single Port

Electrical Characteristics

VSWR (Max)	<2.1:1
Impedance	50 Ω

Signal Characteristics

Gain (Max)	1.2 dB
Frequency Band	824 – 894 MHz, 824 – 894 MHz
Nominal Frequency Range	824 – 1990
Peak Gain	0 < 3 dBi

Mechanical Attachment

Polarization	Linear
Mounting Type	Connector

Dimensions

Product Width	14.5 mm[.57 in]
Product Length	83.5 mm[3.29 in]
Product Height	0 mm[0 in]

Operation/Application

Antenna Environment	Outdoor
Directionality	Omnidirectional

Industry Standards

Wireless Application	5G, Cat-M/NB-IoT, Cellular, LTE
Primary Application	5G, Cellular, LTE

Product Compliance

[For compliance documentation, visit the product page on TE.com>](#)

EU RoHS Directive 2011/65/EU	Compliant with Exemptions
EU ELV Directive 2000/53/EC	Not Yet Reviewed
China RoHS 2 Directive MIIT Order No 32, 2016	Restricted Materials Above Threshold
EU REACH Regulation (EC) No. 1907/2006	Current ECHA Candidate List: JUNE 2023 (235) Not Yet Reviewed
Halogen Content	Not Yet Reviewed for halogen content
Solder Process Capability	Not reviewed for solder process capability

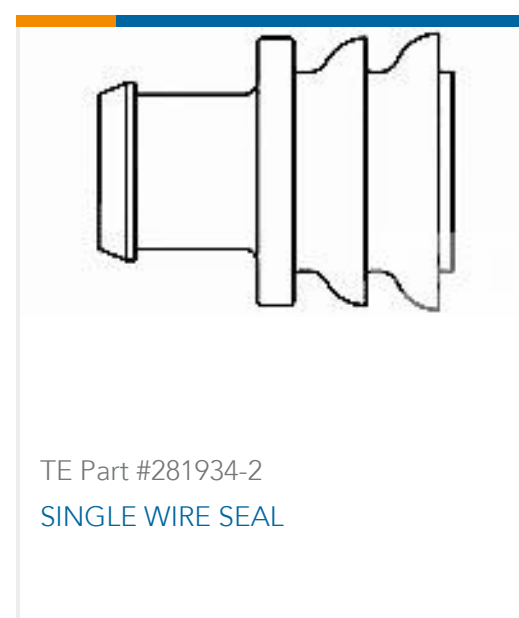
Product Compliance Disclaimer

This information is provided based on reasonable inquiry of our suppliers and represents our current actual knowledge based on the information they provided. This information is subject to change. The part numbers that TE has identified as EU RoHS compliant have a maximum concentration of 0.1% by weight in homogenous materials for lead, hexavalent chromium, mercury, PBB, PBDE, DBP, BBP, DEHP, DIBP, and 0.01% for cadmium, or qualify for an exemption to these limits as defined in the Annexes of Directive 2011/65/EU (RoHS2). Finished electrical and electronic equipment products will be CE marked as required by Directive 2011/65/EU. Components may not be CE marked. Additionally, the part numbers that TE has identified as EU ELV compliant have a maximum concentration of 0.1% by weight in homogenous materials for lead, hexavalent chromium, and mercury, and 0.01% for cadmium, or qualify for an exemption to these limits as defined in the Annexes of Directive 2000/53/EC (ELV). Regarding the REACH Regulations, TE's information on SVHC in articles for this part number is still based on the European Chemical Agency (ECHA) 'Guidance on requirements for substances in articles' (Version: 2, April 2011), applying the 0.1% weight on weight concentration threshold at the finished product level. TE is aware of the European Court of Justice ruling of September 10th, 2015 also known as O5A (Once An Article Always An Article) stating that, in case of 'complex object', the threshold for a SVHC must be applied to both the product as a whole and simultaneously to each of the articles forming part of its composition. TE has evaluated this ruling based on the new ECHA "Guidance on requirements for substances in articles" (June 2017, version 4.0) and will be updating its statements accordingly.

Compatible Parts



Customers Also Bought



Documents

Product Drawings

[Antenna 1/4 Wave Whip LTE B5 SMA](#)

English

Datasheets & Catalog Pages

[Single-Band Connectorized Monopole Antenna](#)

English