

# ANT-916-WRT-RPS ✓ ACTIVE

TE Internal #: ANT-916-WRT-RPS

Dome/Puck Antenna, Single Band, LPWAN / LoRaWAN, External Mount, Panel, RP-SMA, Omnidirectional, Single Port, Gain 3 < 6 dBi

[View on TE.com >](#)



## Antennas



Wireless Application: **LoRaWAN, LPWAN, Wi-Fi**

Mounting Location: **External**

Mounting Type: **Panel**

Antenna Termination: **RP-SMA**

Antenna Type: **Dome/Puck**

## Features

### Product Type Features

Antenna Termination	RP-SMA
---------------------	--------

### Configuration Features

Antenna Style	Dome
Mounting Location	External
Antenna Type	Dome/Puck
Band Type	Single Band
Port Configuration	Single Port

### Electrical Characteristics

VSWR (Max)	<1.9:1
Impedance	50 Ω

### Signal Characteristics

Frequency Band	915 MHz
Nominal Frequency Range	902 – 930
Peak Gain	3 < 6 dBi

### Body Features

Product Weight	12.11 g[.42716 oz]
----------------	--------------------

### Mechanical Attachment

Polarization	Linear
--------------	--------



Mounting Type Panel

**Dimensions**

Cable Length	.21 m[.71 ft]
Product Width	19 mm[.75 in]
Product Length	10 mm[.39 in]
Product Height	0 mm[0 in]

**Operation/Application**

Antenna Environment	Outdoor
Directionality	Omnidirectional

**Industry Standards**

Wireless Application	LoRaWAN, LPWAN, Wi-Fi
Primary Application	LoRaWAN, LPWAN

**Product Compliance**

[For compliance documentation, visit the product page on TE.com>](#)

EU RoHS Directive 2011/65/EU	Compliant with Exemptions
EU ELV Directive 2000/53/EC	Not Yet Reviewed
China RoHS 2 Directive MIIT Order No 32, 2016	Restricted Materials Above Threshold
EU REACH Regulation (EC) No. 1907/2006	Current ECHA Candidate List: JUNE 2023 (235) Not Yet Reviewed
Halogen Content	Not Yet Reviewed for halogen content
Solder Process Capability	Not reviewed for solder process capability

Product Compliance Disclaimer

This information is provided based on reasonable inquiry of our suppliers and represents our current actual knowledge based on the information they provided. This information is subject to change. The part numbers that TE has identified as EU RoHS compliant have a maximum concentration of 0.1% by weight in homogenous materials for lead, hexavalent chromium, mercury, PBB, PBDE, DBP, BBP, DEHP, DIBP, and 0.01% for cadmium, or qualify for an exemption to these limits as defined in the Annexes of Directive 2011/65/EU (RoHS2). Finished electrical and electronic equipment products will be CE marked as required by Directive 2011/65/EU. Components may not be CE marked. Additionally, the part numbers that TE has identified as EU ELV compliant have a maximum concentration of 0.1% by weight in homogenous materials for lead, hexavalent chromium, and mercury, and 0.01% for cadmium, or qualify for an exemption to these limits as defined in the Annexes of Directive 2000/53/EC (ELV). Regarding the REACH Regulations, TE's information on SVHC in articles for this part number is still based on the European Chemical Agency (ECHA) 'Guidance on requirements for substances in articles' (Version: 2, April 2011), applying the 0.1% weight on weight concentration threshold at the finished product level. TE is aware of the European Court of Justice ruling of September 10th, 2015 also known as O5A (Once An Article Always An Article) stating that, in case of 'complex object', the threshold for a SVHC must be applied to both the product as a whole and simultaneously to each of the articles forming part of its composition. TE has evaluated this ruling based on the new ECHA "Guidance on requirements for substances in articles" (June 2017, version 4.0) and will be updating its statements accordingly.

## Compatible Parts



TE Part # CONREV SMA001-G  
RP-SMA Jack 50 Ohm PCB Through Hole



TE Part # CONREV SMA002-SMD-G  
RP-SMA RA Jack 50 Ohm PCB Surface Mount



TE Part # L9000251-01  
RP-SMA Jack 50 Ohm .062 PCB Edge Mount

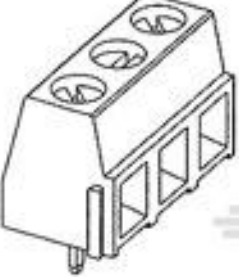


TE Part # L9000254-01  
RP-SMA Jack 50 Ohm .031 PCB Edge Mount

## Customers Also Bought



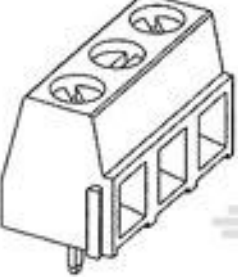
TE Part # DT06-4S-CP01  
PLG, 4P, BLK, BLOCKED, SEAL RET



TE Part # 282837-8  
TERMI-BLOK PCB MOUNT 8P



TE Part # 1622829-2  
CRG0603 1% 10K 10K RL



TE Part # 1-282837-2  
TERMI-BLOK PCB MOUNT 12P.5



TE Part # 2016693-2  
RF CA, UMCC1 TO RPSMA JACK, 1.13 MM, L100MM



TE Part # 1-2176339-9  
CRGCO 0603 330R 1%



TE Part # 2176339-7  
CRGCO 0603 33R 1%



TE Part # 9-2176479-6  
RA73F 1J 499R 0.1% 5K RL



TE Part # 2041119-1  
mSATA/mini PCI-E 4H Type I G/F

TE Part # DT04-4P-KIT  
DT04-4P AND WEG ONLY

## Documents

### Product Drawings

[Antenna Dome Compact 916MHz RG174 RPS](#)

English

### Datasheets & Catalog Pages

[915 MHz External Panel-Mount Antenna](#)

English

