

# ANT-868-OC-LG-SMA ✓ ACTIVE

TE Internal #: ANT-868-OC-LG-SMA

Whip Antenna, Single Band, LoRaWAN / LPWAN, External Mount, Connector, SMA, Omnidirectional, Single Port, Gain 0 < 3 dBi

[View on TE.com >](#)



## Antennas



Wireless Application: **LoRaWAN, LPWAN, Wi-Fi**

Mounting Location: **External**

Mounting Type: **Connector**

Antenna Termination: **SMA**

Antenna Type: **Whip**

## Features

### Product Type Features

Antenna Termination	SMA
---------------------	-----

### Configuration Features

Antenna Style	Whip
Mounting Location	External
Antenna Type	Whip
Band Type	Single Band
Port Configuration	Single Port

### Electrical Characteristics

VSWR (Max)	<2.3:1
Impedance	50 $\Omega$

### Signal Characteristics

Frequency Band	868 MHz
Nominal Frequency Range	862 – 870
Peak Gain	0 < 3 dBi

### Body Features

Product Weight	15 g [.5291 oz]
----------------	-----------------

### Mechanical Attachment

Polarization	Linear
--------------	--------

Mounting Type

Connector

### Dimensions

Product Width

10 mm[.39 in]

Product Length

193.5 mm[7.62 in]

Product Height

0 mm[0 in]

### Operation/Application

Antenna Environment

Outdoor

Directionality

Omnidirectional

### Industry Standards

Wireless Application

LoRaWAN, LPWAN, Wi-Fi

Primary Application

LoRaWAN, LPWAN

### Product Compliance

[For compliance documentation, visit the product page on TE.com>](#)

EU RoHS Directive 2011/65/EU

Compliant with Exemptions

EU ELV Directive 2000/53/EC

Not Yet Reviewed

China RoHS 2 Directive MIIT Order No 32, 2016

Restricted Materials Above Threshold

EU REACH Regulation (EC) No. 1907/2006

Current ECHA Candidate List: JUNE 2023  
(235)

Not Yet Reviewed

Halogen Content

Not Yet Reviewed for halogen content

Solder Process Capability

Not reviewed for solder process capability

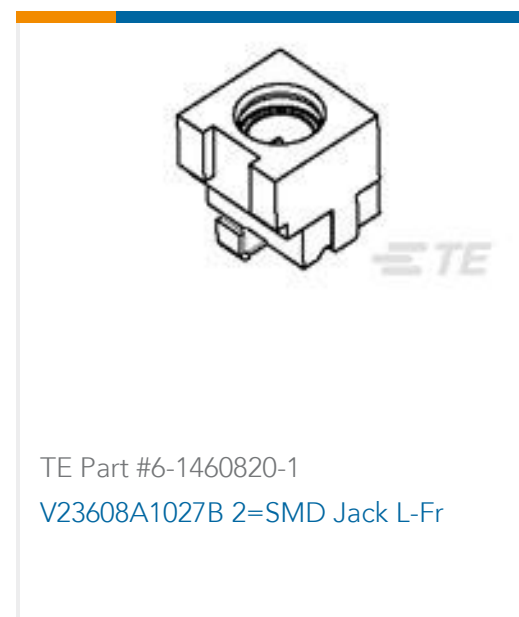
#### Product Compliance Disclaimer

This information is provided based on reasonable inquiry of our suppliers and represents our current actual knowledge based on the information they provided. This information is subject to change. The part numbers that TE has identified as EU RoHS compliant have a maximum concentration of 0.1% by weight in homogenous materials for lead, hexavalent chromium, mercury, PBB, PBDE, DBP, BBP, DEHP, DIBP, and 0.01% for cadmium, or qualify for an exemption to these limits as defined in the Annexes of Directive 2011/65/EU (RoHS2). Finished electrical and electronic equipment products will be CE marked as required by Directive 2011/65/EU. Components may not be CE marked. Additionally, the part numbers that TE has identified as EU ELV compliant have a maximum concentration of 0.1% by weight in homogenous materials for lead, hexavalent chromium, and mercury, and 0.01% for cadmium, or qualify for an exemption to these limits as defined in the Annexes of Directive 2000/53/EC (ELV). Regarding the REACH Regulations, TE's information on SVHC in articles for this part number is still based on the European Chemical Agency (ECHA) 'Guidance on requirements for substances in articles' (Version: 2, April 2011), applying the 0.1% weight on weight concentration threshold at the finished product level. TE is aware of the European Court of Justice ruling of September 10th, 2015 also known as O5A (Once An Article Always An Article) stating that, in case of 'complex object', the threshold for a SVHC must be applied to both the product as a whole and simultaneously to each of the articles forming part of its composition. TE has evaluated this ruling based on the new ECHA "Guidance on requirements for substances in articles" (June 2017, version 4.0) and will be updating its statements accordingly.

## Compatible Parts



## Customers Also Bought



## Documents

### Product Drawings

[Antenna Straight Whip 868MHz Swivel SMA](#)

English

### Datasheets & Catalog Pages

[868 MHz LPWA Antenna](#)

English

