

ANT-5GW-SPNF1 ✓ ACTIVE

TE Internal #: ANT-5GW-SPNF1

Dome/Puck Antenna, Wide Band, Cellular / 5G / LTE, External Mount, Connector, N-type, Omnidirectional, Single Port, Gain > 6 dBi

[View on TE.com >](#)



Antennas



Wireless Application: 5G, Cat-M/NB-IoT, Cellular, LTE

Mounting Location: External

Mounting Type: Connector

Antenna Termination: N-type

Antenna Type: Dome/Puck

Features

Product Type Features

Antenna Termination	N-type
---------------------	--------

Configuration Features

Antenna Style	Dome
Mounting Location	External
Antenna Type	Dome/Puck
Band Type	Wide Band
Port Configuration	Single Port

Electrical Characteristics

VSWR (Max)	<7:1
Impedance	50 Ω

Signal Characteristics

Gain (Max)	1.3 dB
Frequency Band	617 – 698 MHz
Nominal Frequency Range	617 – 6000
Peak Gain	> 6 dBi

Body Features

Product Weight	63.9 g[2.25396 oz]
----------------	--------------------



Mechanical Attachment

Polarization	Linear
Mounting Type	Connector

Dimensions

Product Width	40.2 mm[1.58 in]
Product Length	70.8 mm[2.79 in]
Product Height	0 mm[0 in]

Operation/Application

Antenna Environment	Outdoor
Directionality	Omnidirectional

Industry Standards

Wireless Application	5G, Cat-M/NB-IoT, Cellular, LTE
Primary Application	5G, Cellular, LTE

Product Compliance

[For compliance documentation, visit the product page on TE.com>](#)

EU RoHS Directive 2011/65/EU	Compliant with Exemptions
EU ELV Directive 2000/53/EC	Not Yet Reviewed
China RoHS 2 Directive MIIT Order No 32, 2016	Restricted Materials Above Threshold
EU REACH Regulation (EC) No. 1907/2006	Current ECHA Candidate List: JUNE 2023 (235) Not Yet Reviewed
Halogen Content	Not Yet Reviewed for halogen content
Solder Process Capability	Not reviewed for solder process capability

Product Compliance Disclaimer

This information is provided based on reasonable inquiry of our suppliers and represents our current actual knowledge based on the information they provided. This information is subject to change. The part numbers that TE has identified as EU RoHS compliant have a maximum concentration of 0.1% by weight in homogenous materials for lead, hexavalent chromium, mercury, PBB, PBDE, DBP, BBP, DEHP, DIBP, and 0.01% for cadmium, or qualify for an exemption to these limits as defined in the Annexes of Directive 2011/65/EU (RoHS2). Finished electrical and electronic equipment products will be CE marked as required by Directive 2011/65/EU. Components may not be CE marked. Additionally, the part numbers that TE has identified as EU ELV compliant have a maximum concentration of 0.1% by weight in homogenous materials for lead, hexavalent chromium, and mercury, and 0.01% for cadmium, or qualify for an exemption to these limits as defined in the Annexes of Directive 2000/53/EC (ELV). Regarding the REACH Regulations, TE's information on SVHC in articles for this part number is still based on the European Chemical Agency (ECHA) 'Guidance on requirements for substances in articles' (Version: 2, April 2011), applying the 0.1% weight on weight concentration threshold at the finished product level. TE is aware of the European Court of Justice ruling of September 10th, 2015 also known as O5A (Once An Article Always An Article) stating that, in case of 'complex object', the threshold for a SVHC must be applied to both the

product as a whole and simultaneously to each of the articles forming part of its composition. TE has evaluated this ruling based on the new ECHA "Guidance on requirements for substances in articles" (June 2017, version 4.0) and will be updating its statements accordingly.

Compatible Parts



TE Part # CONN001-W
N Type Jack 50 Ohm PCB Through Hole



TE Part # CONN002-W
N Type Jack 50 Ohm Panel Mount



TE Part # CONN003-W
N Type Jack 50 Ohm Panel Mount



TE Part # CONN007-1-W
N Type Plug 50 Ohm Cable Crimp



TE Part # CONN007-2-W
N Type Plug 50 Ohm Cable Crimp



TE Part # CONN007-3-W
N Type Plug 50 Ohm Cable Crimp



TE Part # CONN007-4-W
N Type Plug 50 Ohm Cable Crimp



TE Part # CONN008-W
N Type Plug 50 Ohm Panel Mount Crimp

Customers Also Bought



TE Part #T4130512021-000
M12, REAR MOUNT, MALE, D, 2P, SOLDER WIRE




TE Part #1761606-3
IDC LOW PRO HDR 10P VERT LG LAT BLK



TE Part #1546306-6
6P .374" DR BARRIER STRIP



TE Part #1776293-3
TSB23003DS=EUROPA TERM BLK, 8MM



TE Part #212800-1
CORD GUARD, DIN CONNECTOR



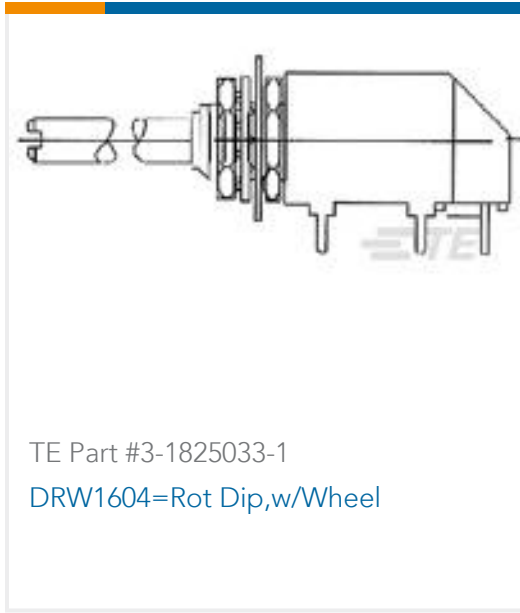
TE Part #42399-1
110 FASTON REC 20-18 AWG TPBR



TE Part #3-1393115-2
KUL-11D15D-24=KU



TE Part #531230-2
SHUNT, .200 C/L, LP, 2 POS, 15AU



Documents

Product Drawings

[Antenna 5G WB Cell Dome IP67 N Jack](#)

English

Datasheets & Catalog Pages

[Panel Mount Cellular Sub-6 5G Antenna](#)

English