

ANT-433-CW-RH-SMA ✓ ACTIVE

TE Internal #: ANT-433-CW-RH-SMA

Whip Antenna, Single Band, LPWAN / LoRaWAN, External Mount, Connector, SMA, Omnidirectional, Single Port, Gain < 0 dBi

[View on TE.com >](#)



Antennas



Wireless Application: **LoRaWAN, LPWAN**

Mounting Location: **External**

Mounting Type: **Connector**

Antenna Termination: **SMA**

Antenna Type: **Whip**

Features

Product Type Features

Antenna Termination	SMA
---------------------	-----

Configuration Features

Antenna Style	Whip
Mounting Location	External
Antenna Type	Whip
Band Type	Single Band
Port Configuration	Single Port

Electrical Characteristics

VSWR (Max)	<1.9:1
Impedance	50 Ω

Signal Characteristics

Frequency Band	433 MHz
Nominal Frequency Range	410 – 470
Peak Gain	< 0 dBi

Body Features

Product Weight	6.26 g [.22081 oz]
----------------	--------------------

Mechanical Attachment

Polarization	Linear
--------------	--------



Mounting Type

Connector

Dimensions

Product Width

8.5 mm[.33 in]

Product Length

51 mm[2.01 in]

Product Height

0 mm[0 in]

Operation/Application

Antenna Environment

Outdoor

Directionality

Omnidirectional

Industry Standards

Wireless Application

LoRaWAN, LPWAN

Primary Application

LoRaWAN, LPWAN

Product Compliance

[For compliance documentation, visit the product page on TE.com>](#)

EU RoHS Directive 2011/65/EU

Compliant with Exemptions

EU ELV Directive 2000/53/EC

Not Yet Reviewed

China RoHS 2 Directive MIIT Order No 32, 2016

Restricted Materials Above Threshold

EU REACH Regulation (EC) No. 1907/2006

Current ECHA Candidate List: JUNE 2023 (235)

Candidate List Declared Against: JUNE 2023 (235)

SVHC > Threshold:

Pb (4% in Component Part)

Article Safe Usage Statements:

Do not eat, drink or smoke when using this product. Wash thoroughly after handling. Recycle if possible and dispose of the article by following all applicable governmental regulations relevant to your geographic location.

Halogen Content

Low Bromine/Chlorine - Br and Cl < 900 ppm per homogenous material. Also BFR /CFR/PVC Free

Solder Process Capability

Not reviewed for solder process capability

Product Compliance Disclaimer

This information is provided based on reasonable inquiry of our suppliers and represents our current actual knowledge based on the information they provided. This information is subject to change. The part numbers that TE has identified as EU RoHS compliant have a maximum concentration of 0.1% by weight in homogenous materials for lead, hexavalent chromium, mercury, PBB, PBDE, DBP, BBP, DEHP, DIBP, and 0.01% for cadmium, or qualify for an exemption to these limits as defined in the Annexes of Directive 2011/65/EU (RoHS2). Finished electrical and electronic equipment products will be CE marked as required by Directive 2011/65/EU. Components may not be CE marked. Additionally, the part numbers that TE has identified as EU ELV compliant have a maximum concentration of 0.1% by weight in homogenous materials for lead, hexavalent chromium, and mercury, and 0.01% for cadmium, or qualify for an exemption to these limits as defined in the Annexes of Directive 2000/53/EC (ELV). Regarding the REACH Regulations, TE's information on SVHC in articles for this part number is still based on the European Chemical Agency (ECHA) 'Guidance on requirements for substances in articles' (Version: 2, April 2011), applying the 0.1% weight on weight concentration threshold at the finished

product level. TE is aware of the European Court of Justice ruling of September 10th, 2015 also known as O5A (Once An Article Always An Article) stating that, in case of 'complex object', the threshold for a SVHC must be applied to both the product as a whole and simultaneously to each of the articles forming part of its composition. TE has evaluated this ruling based on the new ECHA "Guidance on requirements for substances in articles" (June 2017, version 4.0) and will be updating its statements accordingly.

Compatible Parts



TE Part # CONSMSA001
SMA Jack 50 Ohm PCB Through Hole



TE Part # CONSMSA002-L-G
SMA Jack 50 Ohm PCB Through Hole



TE Part # CONSMSA002-SMD-G
SMA Jack 50 Ohm PCB Surface Mount



TE Part # CONSMSA008-G
SMA Jack 50 Ohm Through Hole PCB

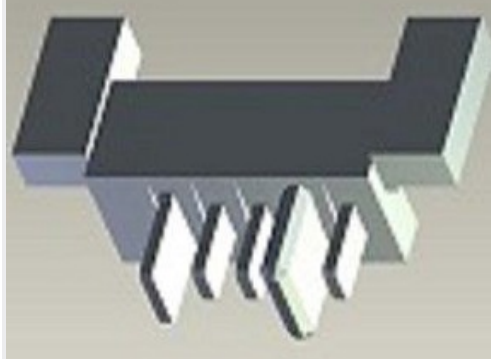
Customers Also Bought



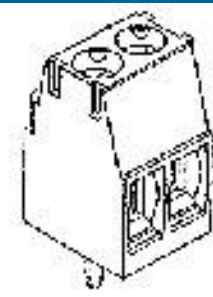
TE Part #55148-1
TERMINAL,PIDG R 22-16 10



TE Part #2-2834075-3
3P REC, MINIATURE WATERPROOF CONN,BLACK



TE Part #163683-8
10P.CIS FEMALE CONN




TE Part #284391-2
TERMI-BLOK PCB SIDE ENTRY STAC



TE Part #1-1674231-1
2.5MM PITCH BATTERY REC ASSEMBLY DIP TYP




TE Part #1825136-7
A101KZQ04



TE Part #1-1337607-0
SMC Str Plg PS 50Ohm Gold Pltd RG174A/U,



TE Part #ANT-433-CW-QW-SMA
Antenna 1/4 Wave Whip 433MHz SMA



TE Part #RXM-433-KH3
Module KH3 433MHz AM OOK RX RCVR

Documents

Product Drawings

[Antenna 1/4 Wave Short 433MHz SMA](#)



English

Datasheets & Catalog Pages

ANT-433-CW-RH

English