

ANT-418-MHW-RPS-S ✓ ACTIVE

TE Internal #: ANT-418-MHW-RPS-S

Module Antenna, Single Band, Cellular / Cat-M/NB-IoT, Remote Mount, Adhesive, Solder, Omnidirectional, Single Port, Gain 0 < 3 dBi

[View on TE.com >](#)



Antennas



Wireless Application: **Cat-M/NB-IoT, Cellular**

Mounting Location: **Remote**

Mounting Type: **Adhesive**

Antenna Termination: **Solder**

Antenna Type: **Module**

Features

Product Type Features

Antenna Termination	Solder
---------------------	--------

Configuration Features

Antenna Style	Whip
Mounting Location	Remote
Antenna Type	Module
Band Type	Single Band
Port Configuration	Single Port

Electrical Characteristics

VSWR (Max)	<1.9:1
Impedance	50 Ω

Signal Characteristics

Gain (Max)	2.1 dB
Frequency Band	418 MHz
Nominal Frequency Range	410 – 470
Peak Gain	0 < 3 dBi

Body Features

Product Weight	39.87 g[1.40634 oz]
----------------	---------------------



Mechanical Attachment

Polarization	Linear
Mounting Type	Adhesive

Dimensions

Cable Length	2 m[6.56 ft]
Product Width	15.5 mm[.61 in]
Product Length	150 mm[5.91 in]
Product Height	9.7 mm[.38 in]

Operation/Application

Directionality	Omnidirectional
----------------	-----------------

Industry Standards

Wireless Application	Cat-M/NB-IoT, Cellular
Primary Application	Cat-M/NB-IoT, Cellular

Product Compliance

[For compliance documentation, visit the product page on TE.com>](#)

EU RoHS Directive 2011/65/EU	Compliant with Exemptions
EU ELV Directive 2000/53/EC	Not Yet Reviewed
China RoHS 2 Directive MIIT Order No 32, 2016	Restricted Materials Above Threshold
EU REACH Regulation (EC) No. 1907/2006	Current ECHA Candidate List: JUNE 2023 (235) Not Yet Reviewed
Halogen Content	Not Yet Reviewed for halogen content
Solder Process Capability	Not reviewed for solder process capability

Product Compliance Disclaimer

This information is provided based on reasonable inquiry of our suppliers and represents our current actual knowledge based on the information they provided. This information is subject to change. The part numbers that TE has identified as EU RoHS compliant have a maximum concentration of 0.1% by weight in homogenous materials for lead, hexavalent chromium, mercury, PBB, PBDE, DBP, BBP, DEHP, DIBP, and 0.01% for cadmium, or qualify for an exemption to these limits as defined in the Annexes of Directive 2011/65/EU (RoHS2). Finished electrical and electronic equipment products will be CE marked as required by Directive 2011/65/EU. Components may not be CE marked. Additionally, the part numbers that TE has identified as EU ELV compliant have a maximum concentration of 0.1% by weight in homogenous materials for lead, hexavalent chromium, and mercury, and 0.01% for cadmium, or qualify for an exemption to these limits as defined in the Annexes of Directive 2000/53/EC (ELV). Regarding the REACH Regulations, TE's information on SVHC in articles for this part number is still based on the European Chemical Agency (ECHA) 'Guidance on requirements for substances in articles' (Version: 2, April 2011), applying the 0.1% weight on weight concentration threshold at the finished product level. TE is aware of the European Court of Justice ruling of September 10th, 2015 also known as O5A (Once An Article Always An Article) stating that, in case of 'complex object', the threshold for a SVHC must be applied to both the

product as a whole and simultaneously to each of the articles forming part of its composition. TE has evaluated this ruling based on the new ECHA "Guidance on requirements for substances in articles" (June 2017, version 4.0) and will be updating its statements accordingly.

Compatible Parts



TE Part # CONREV SMA001-G
RP-SMA Jack 50 Ohm PCB Through Hole



TE Part # CONREV SMA002-SMD-G
RP-SMA RA Jack 50 Ohm PCB Surface Mount



TE Part # L9000251-01
RP-SMA Jack 50 Ohm .062 PCB Edge Mount



TE Part # L9000254-01
RP-SMA Jack 50 Ohm .031 PCB Edge Mount

Customers Also Bought



TE Part #206070-8
CABLE CLAMP KIT #17



TE Part #DT04-2P
REC, 2P, GRY, N



TE Part #DT06-2S
PLG, 2P, GRY, N



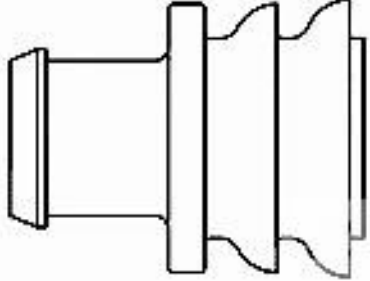
TE Part #W2S
Wedgelocks: DEUTSCH DT



TE Part #0462-201-16141
DEUTSCH Solid Contacts



TE Part #282104-1
AMP SUPERSEAL 1.5MM, CONNECTOR HOUSING



TE Part #281934-2
SINGLE WIRE SEAL

Documents

Product Drawings

[Antenna 418MHz Dipole MHW Short RPS](#)

English

Datasheets & Catalog Pages

[ANT-418-MHW-xxx-x](#)

English