

# AEDC874NN0000151A000 ✓ ACTIVE

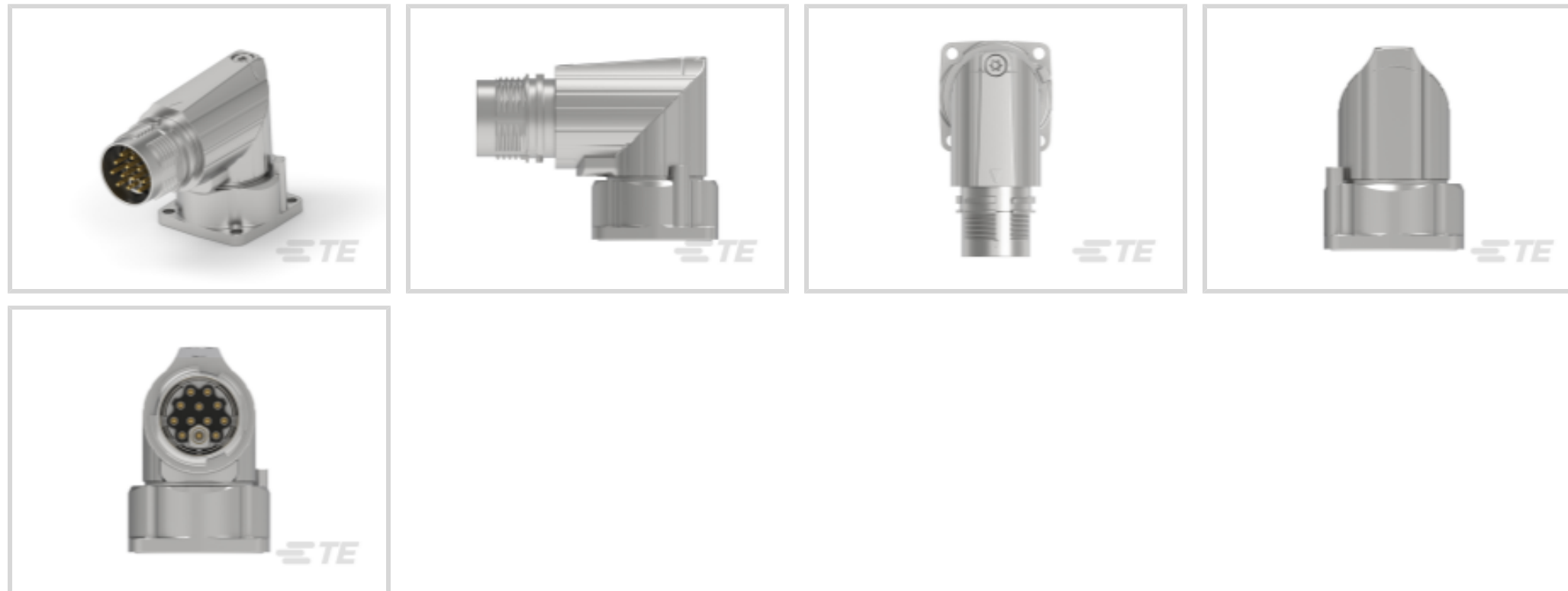
TE Internal #: AGC874N0000151A000

Standard Circular Connectors, Cable-to-Panel, 17 Position, Signal, Panel Mount, Blue Chromium, Zinc Alloy, PBT GF, 17 Signal Positions, Size 17

[View on TE.com >](#)



Connectors > Circular Connectors > Standard Circular Connectors



Connector System: **Cable-to-Panel**

Number of Positions: **17**

Sealable: **No**

Circuit Application: **Signal**

Connector Mounting Type: **Panel Mount**

## Features

### Product Type Features

Product Type	Connector Assembly
Connector System	Cable-to-Panel
Sealable	No
Circular Connector Type	Receptacle
Shell Type	Metal

### Configuration Features

Number of Positions	17
Number of Signal Positions	17

### Electrical Characteristics

Operating Voltage	63 VAC
-------------------	--------

### Body Features

Environmental Protection	IP67
Shell Plating Material	Blue Chromium
Shell Base Material	Zinc Alloy



Circular Connector Insulation Material Type	PBT GF
---	--------

### Mechanical Attachment

Mating Retention Type	Screw
Panel Mount Feature Type	Flange with Mounting Holes
Connector Mounting Type	Panel Mount

### Housing Features

Circular Connector Shell Size	17
-------------------------------	----

### Usage Conditions

Operating Temperature Range	-20 – 130 °C[-4 – 266 °F]
-----------------------------	---------------------------

### Operation/Application

Durability Rating	500 Cycles
Circuit Application	Signal
Shielded	Yes

### Industry Standards

UL Flammability Rating	UL 94V-0
Approved Standards	UL

## Product Compliance

[For compliance documentation, visit the product page on TE.com>](#)

EU RoHS Directive 2011/65/EU	Compliant
EU ELV Directive 2000/53/EC	Compliant
China RoHS 2 Directive MIIT Order No 32, 2016	No Restricted Materials Above Threshold
EU REACH Regulation (EC) No. 1907/2006	Current ECHA Candidate List: JUNE 2023 (235) Candidate List Declared Against: JUNE 2022 (224) Does not contain REACH SVHC
Halogen Content	Not Yet Reviewed for halogen content
Solder Process Capability	Not reviewed for solder process capability

#### Product Compliance Disclaimer

This information is provided based on reasonable inquiry of our suppliers and represents our current actual knowledge based on the information they provided. This information is subject to change. The part numbers that TE has identified as EU RoHS compliant have a maximum concentration of 0.1% by weight in homogenous materials for lead, hexavalent chromium, mercury, PBB, PBDE, DBP, BBP, DEHP, DIBP, and 0.01% for cadmium, or qualify for an exemption to these limits as defined in the Annexes of Directive 2011/65/EU (RoHS2). Finished electrical and electronic equipment products will be CE marked as required by Directive 2011/65/EU. Components may not be CE marked. Additionally, the part

numbers that TE has identified as EU ELV compliant have a maximum concentration of 0.1% by weight in homogenous materials for lead, hexavalent chromium, and mercury, and 0.01% for cadmium, or qualify for an exemption to these limits as defined in the Annexes of Directive 2000/53/EC (ELV). Regarding the REACH Regulation, the information TE provides on SVHC in articles for this part number is based on the latest European Chemicals Agency (ECHA) 'Guidance on requirements for substances in articles' posted at this URL: <https://echa.europa.eu/guidance-documents/guidance-on-reach>

## Compatible Parts



TE Part # ASA876N0085050A000  
617 PLUG, SPEEDTEC



TE Part # ASA876N0086200A000  
617 PLUG



TE Part # C0-0231-000-000  
CRIMPING TOOL SMALL



TE Part # C0-0235-000-000  
DIGITAL CRIMPING TOOL, SMALL

## Customers Also Bought



TE Part # AEA114N00000201000  
623 RECEPTACLE, SPEEDTEC-READY



TE Part # AEA874N0000050A000  
617 RECEPTACLE, SPEEDTEC



TE Part # AKA874N0085152A000  
617 EXTENSION, SPEEDTEC-READY



TE Part # ASA876N0085200A000  
617 PLUG



TE Part # BGC880N0000052A000  
917 RECEPTACLE, ANGLED,  
ROTATABLE



TE Part # BEA116N00000200000  
923 RECEPTACLE, SPEEDTEC-READY



TE Part # BEA878N0000150A000  
917 RECEPTACLE, SPEEDTEC-READY



TE Part # BKA863N0085158A000  
917 EXTENSION, SPEEDTEC-READY



TE Part # BKA908N0085159A000  
917 EXTENSION, SPEEDTEC-READY

## Documents

[CAD Files](#)



### 3D PDF

3D

#### Customer View Model

[ENG\\_CVM\\_CVM\\_AGC874N0000151A000\\_A.2d\\_dxf.zip](#)

English

#### Customer View Model

[ENG\\_CVM\\_CVM\\_AGC874N0000151A000\\_A.3d\\_igs.zip](#)

English

#### Customer View Model

[ENG\\_CVM\\_CVM\\_AGC874N0000151A000\\_A.3d\\_stp.zip](#)

English

By downloading the CAD file I accept and agree to the [Terms and Conditions](#) of use.

### Datasheets & Catalog Pages

[fuer Datenblaetter, die online konfigurierbar sind](#)

German

[AGC874N0000151A000](#)

English

### Product Specifications

German