

TE Internal #: AEA052N00000203000

Standard Circular Connectors, Cable-to-Panel, Signal, Panel Mount, Electrodeposited Nickel, Zinc Alloy, PBT, Size 23, Shielded, Receptacle

[View on TE.com >](#)



Connectors > Circular Connectors > Standard Circular Connectors



Connector System: **Cable-to-Panel**

Sealable: **No**

Circuit Application: **Signal**

Connector Mounting Type: **Panel Mount**

Shell Plating Material: **Electrodeposited Nickel**

Features

Product Type Features

| | |
|-------------------------|--------------------|
| Product Type | Connector Assembly |
| Connector System | Cable-to-Panel |
| Sealable | No |
| Circular Connector Type | Receptacle |
| Shell Type | Metal |

Electrical Characteristics

| | |
|-------------------|---------|
| Operating Voltage | 160 VAC |
|-------------------|---------|

Body Features

| | |
|---|-------------------------|
| Environmental Protection | IP67 |
| Shell Plating Material | Electrodeposited Nickel |
| Shell Base Material | Zinc Alloy |
| Circular Connector Insulation Material Type | PBT |

Mechanical Attachment

| | |
|-----------------------|----------------------------------|
| Mating Retention Type | Speedtec (Triple Start Threaded) |
|-----------------------|----------------------------------|



| | |
|--------------------------|----------------------------|
| Panel Mount Feature Type | Flange with Mounting Holes |
|--------------------------|----------------------------|

| | |
|-------------------------|-------------|
| Connector Mounting Type | Panel Mount |
|-------------------------|-------------|

Housing Features

| | |
|-------------------------------|----|
| Circular Connector Shell Size | 23 |
|-------------------------------|----|

| | |
|-----------------|---------|
| Alignment Keyed | Uncoded |
|-----------------|---------|

Usage Conditions

| | |
|-----------------------------|---------------------------|
| Operating Temperature Range | -20 – 130 °C[-4 – 266 °F] |
|-----------------------------|---------------------------|

Operation/Application

| | |
|-------------------|------------|
| Durability Rating | 500 Cycles |
|-------------------|------------|

| | |
|---------------------|--------|
| Circuit Application | Signal |
|---------------------|--------|

| | |
|----------|-----|
| Shielded | Yes |
|----------|-----|

Industry Standards

| | |
|------------------------|----------|
| UL Flammability Rating | UL 94V-0 |
|------------------------|----------|

| | |
|--------------------|----|
| Approved Standards | UL |
|--------------------|----|

Product Compliance

[For compliance documentation, visit the product page on TE.com>](#)

| | |
|------------------------------|-----------|
| EU RoHS Directive 2011/65/EU | Compliant |
|------------------------------|-----------|

| | |
|-----------------------------|-----------|
| EU ELV Directive 2000/53/EC | Compliant |
|-----------------------------|-----------|

| | |
|---|---|
| China RoHS 2 Directive MIIT Order No 32, 2016 | No Restricted Materials Above Threshold |
|---|---|

| | |
|--|---|
| EU REACH Regulation (EC) No. 1907/2006 | Current ECHA Candidate List: JUNE 2023 (235) Candidate List Declared Against: JUNE 2022 (224) Does not contain REACH SVHC |
|--|---|

| | |
|-----------------|--------------------------------------|
| Halogen Content | Not Yet Reviewed for halogen content |
|-----------------|--------------------------------------|

| | |
|---------------------------|--|
| Solder Process Capability | Not reviewed for solder process capability |
|---------------------------|--|

Product Compliance Disclaimer

This information is provided based on reasonable inquiry of our suppliers and represents our current actual knowledge based on the information they provided. This information is subject to change. The part numbers that TE has identified as EU RoHS compliant have a maximum concentration of 0.1% by weight in homogenous materials for lead, hexavalent chromium, mercury, PBB, PBDE, DBP, BBP, DEHP, DIBP, and 0.01% for cadmium, or qualify for an exemption to these limits as defined in the Annexes of Directive 2011/65/EU (RoHS2). Finished electrical and electronic equipment products will be CE marked as required by Directive 2011/65/EU. Components may not be CE marked. Additionally, the part numbers that TE has identified as EU ELV compliant have a maximum concentration of 0.1% by weight in homogenous materials for lead, hexavalent chromium, and mercury, and 0.01% for cadmium, or qualify for an exemption to these limits as defined in the Annexes of Directive 2000/53/EC (ELV). Regarding the REACH Regulation, the information TE provides

on SVHC in articles for this part number is based on the latest European Chemicals Agency (ECHA) 'Guidance on requirements for substances in articles' posted at this URL: <https://echa.europa.eu/guidance-documents/guidance-on-reach>

Compatible Parts




TE Part # ASA021N00410235000
623 PLUG

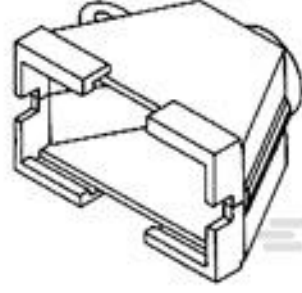
TE Part # C0-0101-000-000
CRIMPING TOOL SMALL WITH POSITIONER

TE Part # C0-0235-000-000
DIGITAL CRIMPING TOOL, SMALL

Customers Also Bought



TE Part #36964
SPLICE, CE 22-14



TE Part #350374-1
12P STR/REL HSG HNGD V0



TE Part #60-0011-011-000
CONTACT SOCKET 1 MM



TE Part #61-0004-011-000
CONTACT PIN 1 MM



TE Part #61-0021-011-000
CONTACT PIN 2 MM



TE Part #61-0027-011-000
CONTACT PIN 2 MM



TE Part #AKA013N00400200000
623 EXTENSION, SPEEDTEC-READY



TE Part #BKA186N00420200000
923 EXTENSION, SPEEDTEC-READY



TE Part #BSA078N00480235000
923 PLUG



TE Part #AKA013N00410200000
623 EXTENSION, SPEEDTEC-READY

Documents

[CAD Files](#)

[3D PDF](#)

[3D](#)



Customer View Model

[ENG_CVM_CVM_AEA052N00000203000_A.2d_dxf.zip](#)

English

Customer View Model

[ENG_CVM_CVM_AEA052N00000203000_A.3d_igs.zip](#)

English

Customer View Model

[ENG_CVM_CVM_AEA052N00000203000_A.3d_stp.zip](#)

English

By downloading the CAD file I accept and agree to the [Terms and Conditions](#) of use.

Datasheets & Catalog Pages

[fuer Datenblaetter, die online konfigurierbar sind](#)

German

[AEA052N00000203000](#)

English

Product Specifications

German